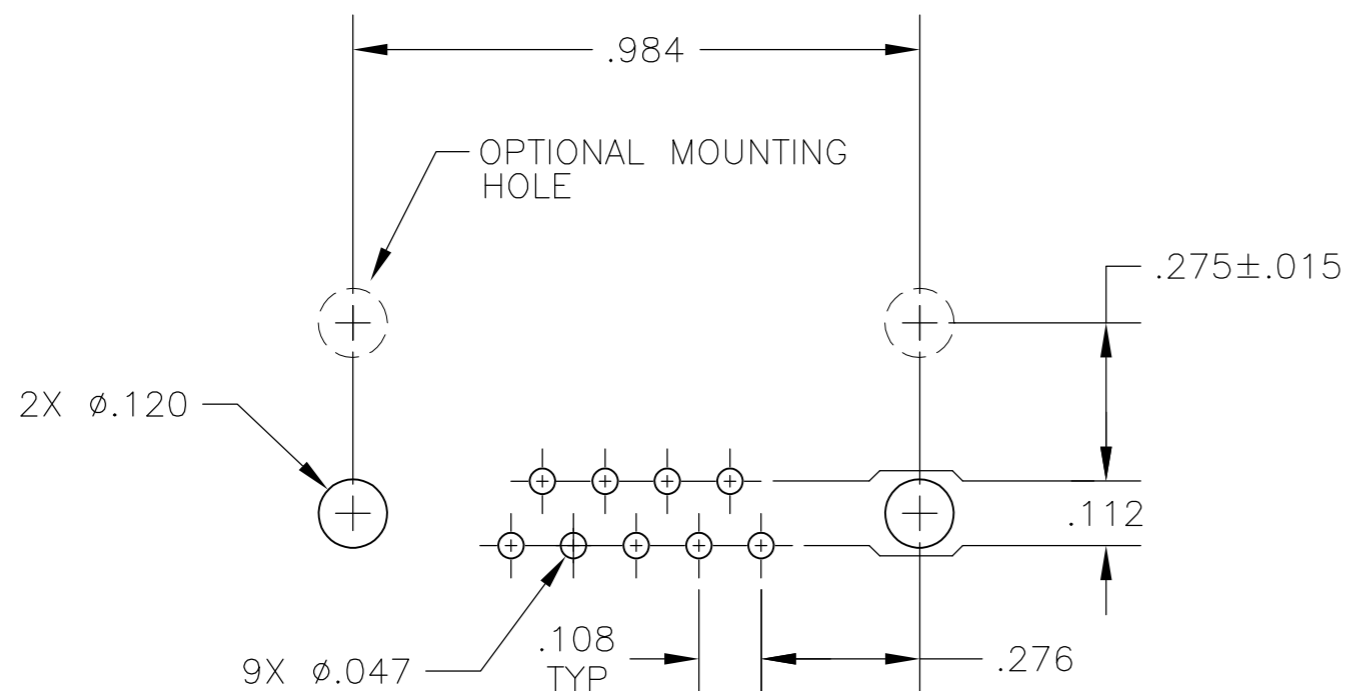
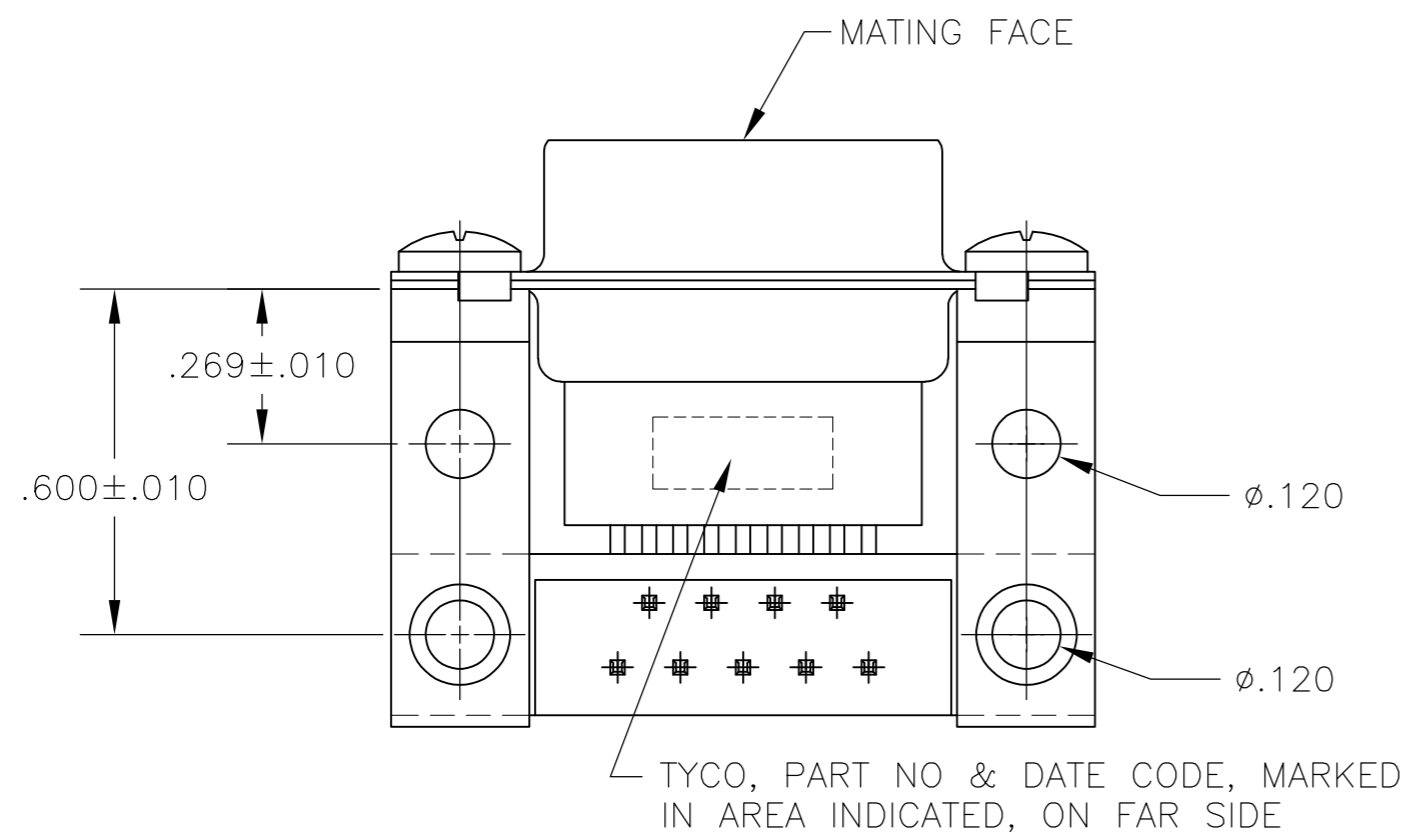
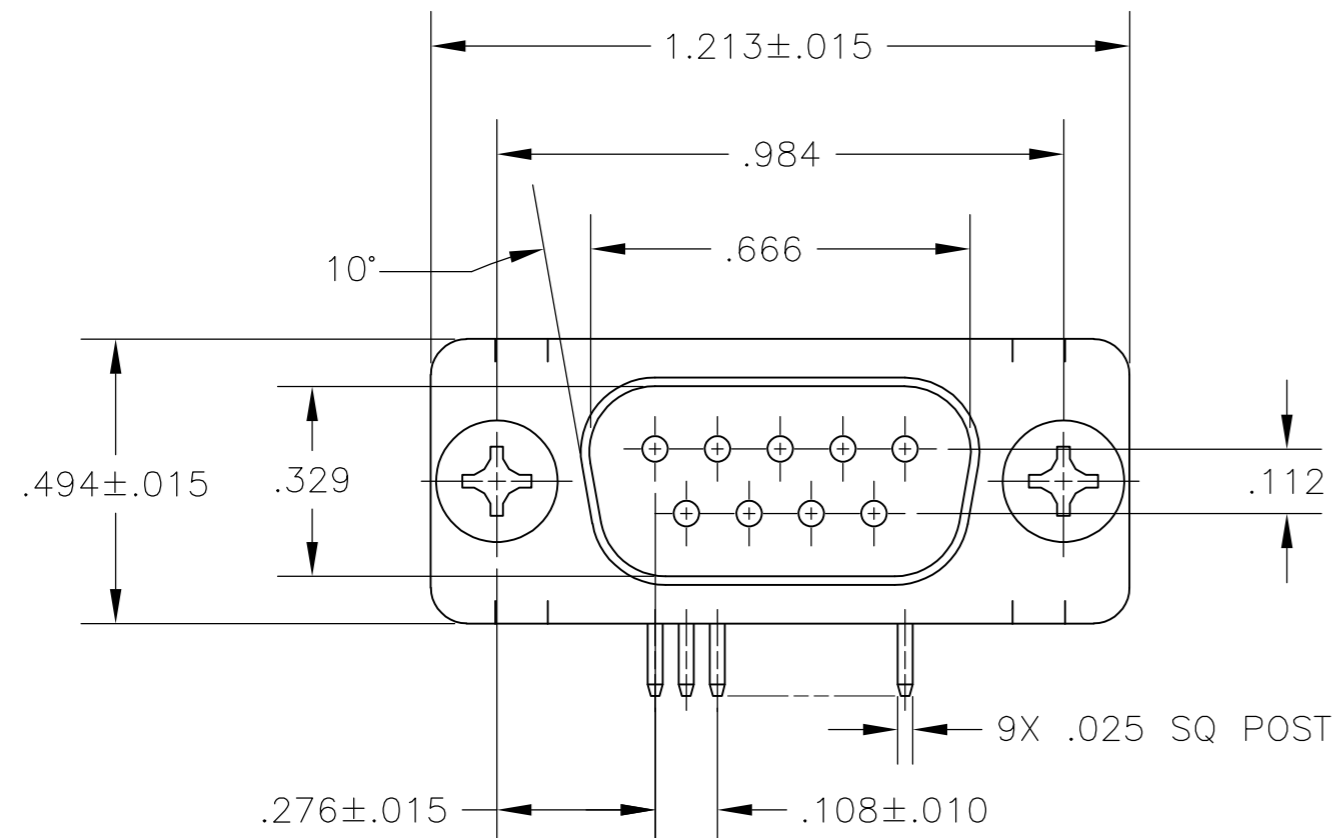


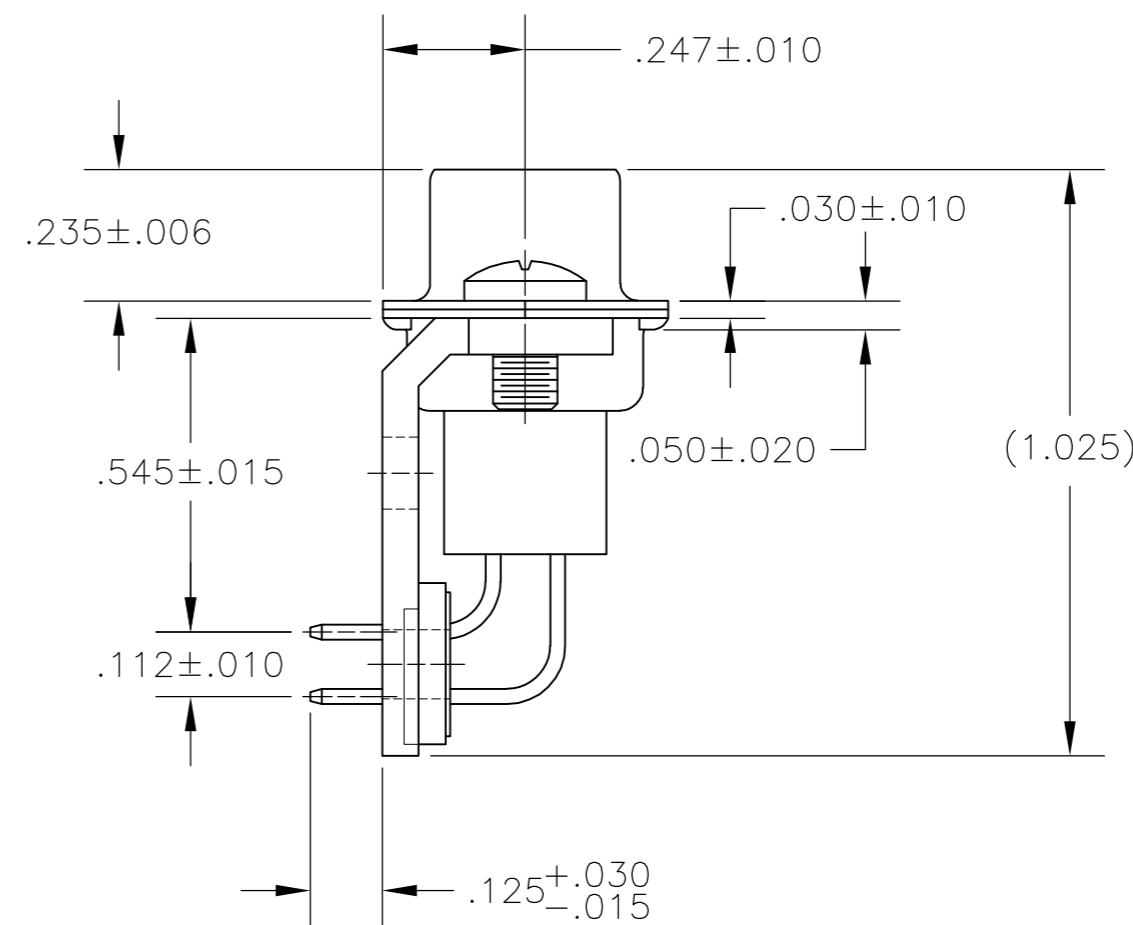
THIS DRAWING IS UNPUBLISHED. RELEASED FOR PUBLICATION  
 © COPYRIGHT 2005 By - ALL RIGHTS RESERVED.

LOC		DIST		REVISIONS			
P	LTR	DESCRIPTION	DATE	DWN	APVD		
GP	00	B	REVISED PER ECO-14-011808	11AUG2014	AP	SB	



P.C. BOARD MOUNTING DIMENSIONS

- 1 MOLDED PARTS: GLASS-FILLED PBT OR GLASS-FILLED NYLON, UL94V-0 RATED. COLOR: BLACK.  
SHELLS & BRACKETS: CARBON STEEL  
CONTACTS: BRASS
- 2 SHELLS & BRACKETS: ZINC PLATED YELLOW CHROMATE COATING.  
CONTACTS: SEE TABLE.
- 3 GOLD PLATED FOR LENGTH OF .150 MIN FROM MATING END, GOLD FLASH IN MATED AREA, .000100 MIN TIN ON OPPOSITE END, BOTH OVER .000050 MIN NICKEL.
- 4 GOLD PLATED FOR LENGTH OF .150 MIN FROM MATING END, .000030 MIN GOLD IN MATED AREA, .000100 MIN TIN ON OPPOSITE END, BOTH OVER .000050 MIN NICKEL.



OBSOLETE	4	5205865-2
	3	5205865-1
CONTACT FINISH		PART NUMBER

THIS DRAWING IS A CONTROLLED DOCUMENT.		DWN C.LAUBACH 28DEC05	TE Connectivity	
DIMENSIONS: INCHES		CHK S.BOLASH 28DEC05	PLUG ASSEMBLY, SIZE 1, 9 POS., RIGHT ANGLE .545 SERIES, .025 SQ., POSTS, AMPLIMITE HDP	
TOLERANCES UNLESS OTHERWISE SPECIFIED:		APVD M.WALMSLEY 28DEC05	NAME	
0 PLC ± -		PRODUCT SPEC 108-40025	SIZE CAGE CODE DRAWING NO RESTRICTED TO	
1 PLC ± -		APPLICATION SPEC 114-40013	A2 00779 C=5205865	
2 PLC ± -		WEIGHT -	SCALE 4:1 SHEET 1 of 1 REV B	
3 PLC ± ±.005		CUSTOMER DRAWING		
4 PLC ± -				
ANGLES ± ±2°				
FINISH				

# Mouser Electronics

Authorized Distributor

Click to View Pricing, Inventory, Delivery & Lifecycle Information:

[TE Connectivity:](#)

[5205865-1](#)