




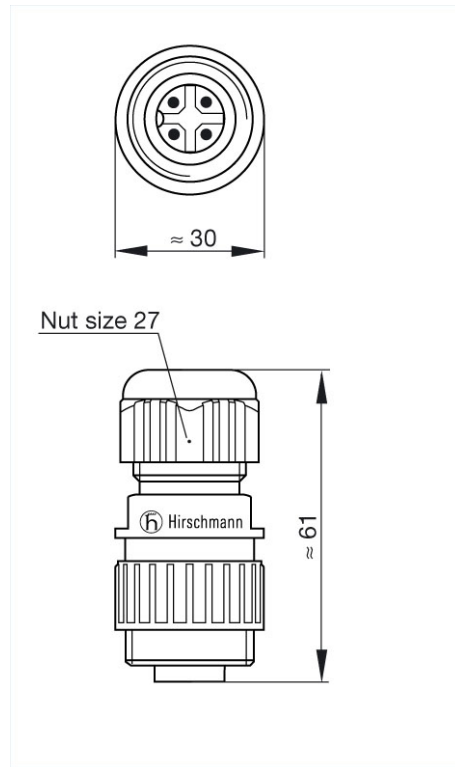
Product information CA 3 LS

Industrial Connecting Solutions: Circular Connectors: MIL, DIN, Universal Connectors: Signal and Power (CA series): Cable plug and panel-mounted connector: CA 3 LS

<https://www.e-catalog.beldensolutions.com:443/link/57078-24228-256281-256284-24359-24361-36076/en/conf/ui/state>

Name	CA 3 LS
	
	Straight cable plug, integrated strain relief
Delivery informations	
Availability	available
Product description	
Description	Straight cable plug, integrated strain relief
Type	CA 3 LS
Order No.	934 124-100
Number of contacts	3 + PE
Cable gland	M 22x2
Cable diameter	6 mm to 12 mm
Conductor size	max. 2.5 mm ²
Housing Color	black
Technical data	
Pin dimensions	2 mm
Rated voltage	AC 400 V / DC 250 V
Rated current	DC 10 A / AC 16 A
Contact resistance	<= 3 mOhm
Type of termination	screw
Material	
Contact surface material	Ag
Contact bearer material	PA 66-GF 25
Housing material	PA 66-GF 25
O-Ring	NBR
Environmental conditions	
Protection class (IEC 60529)	IP 67
Pollution severity	3
Temperature range	-40 °C to +90 °C
Inflammability class	
Flammability, UL standard	94 V-0
Approvals	
UL	UL
VDE	VDE
Packaging unit	
Packaging unit	100 pieces
Scope of delivery and accessories	
Scope of delivery	1 cable plug, not assembled, assembly instructions
Accessories to order separately	can be plugged into CA 3 LD, CA 3 GD; cap CA 00 SD 1, order no. 831 530-400

Picture
Drawing



Belden Deutschland GmbH
Im Gewerbepark 2
58579 Schalksmühle
Germany
Phone: +49 7127/14-1806
E-Mail: icos-sales@belden.com

The information published in the websites has been compiled as carefully as possible. It is subject to alteration without notice in technical as well as in price-related/commercial respect. The complete information and data were available on user documentation. Mandatory information can only be obtained by a concrete query.