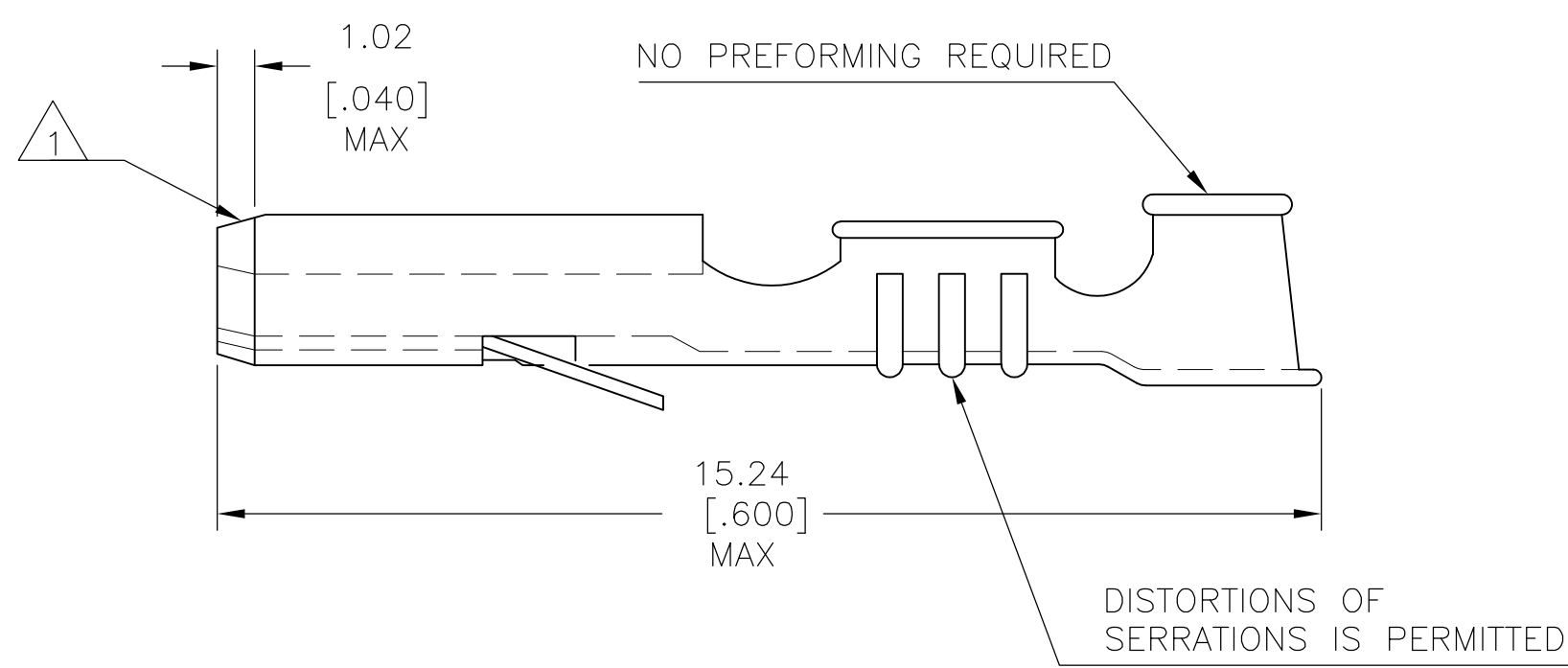



THIS DRAWING IS UNPUBLISHED. RELEASED FOR PUBLICATION
 © COPYRIGHT - By - ALL RIGHTS RESERVED.

LOC		DIST		REVISIONS			
P	LTR	DESCRIPTION	DATE	DWN	APVD		
	A	NEW DRAWING	11NOV2014	NK	TD		

- △1 CHAMFER AROUND FRONT OF RECEPTACLE.
- △2 OBSOLETE PER CIS STREAMLINING PER D.RENAUD/D.SINISI.



160173-3	△2 160308-3
160173-2	160308-2
160173-1	△2 160308-1
STRIP EQUIV	PART NUMBER

THIS DRAWING IS A CONTROLLED DOCUMENT.		DWN	11NOV2014	 TE Connectivity			
DIMENSIONS: mm [INCHES]		CHK	11NOV2014				
TOLERANCES UNLESS OTHERWISE SPECIFIED:		APVD	11NOV2014				
0 PLC ± - 1 PLC ± - 2 PLC ± - 3 PLC ± - 4 PLC ± - ANGLES ± -		NAME	LOOSE PIECE .110 SER FASTON RECEPTACLE				
MATERIAL	FINISH	PRODUCT SPEC	APPLICATION SPEC	SIZE	CAGE CODE	DRAWING NO	RESTRICTED TO
-	-	-	-	A3	00779	C-160308	-
CUSTOMER DRAWING				SCALE	1:1	SHEET	1 OF 1
				REV	A		

Mouser Electronics

Authorized Distributor

Click to View Pricing, Inventory, Delivery & Lifecycle Information:

[TE Connectivity:](#)

[160308-2](#)