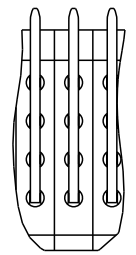
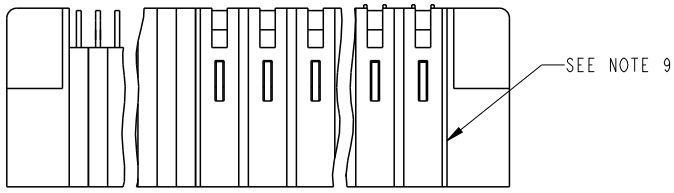
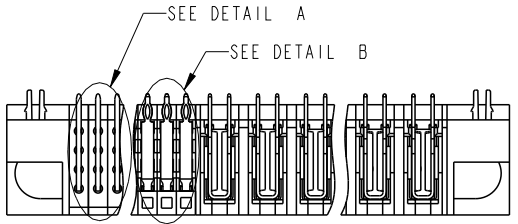
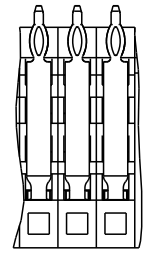


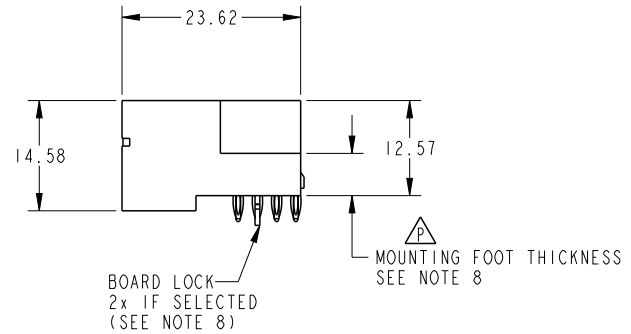
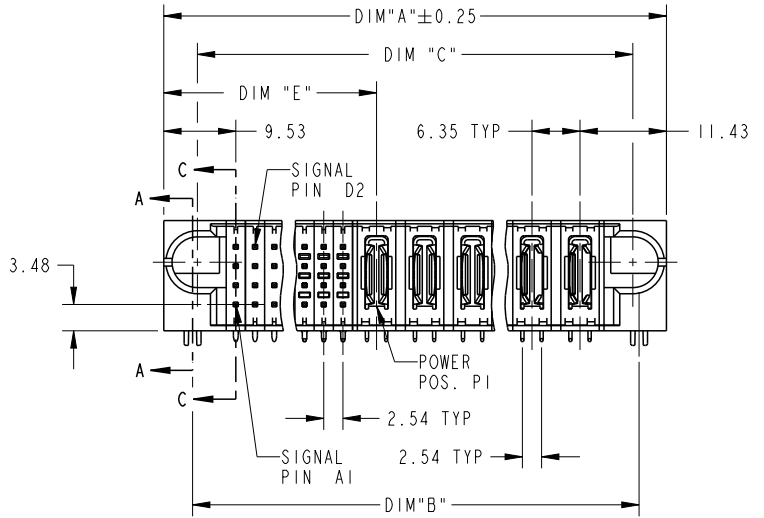
PRODUCT NUMBER
51721-A00CCDDEF--
SEE NOTE 1



△ DETAIL A
SCALE 2:1
FOR SOLDER TO BOARD ONLY



△ DETAIL B
SCALE 2:1
FOR PRESS FIT ONLY



Copyright FCI.

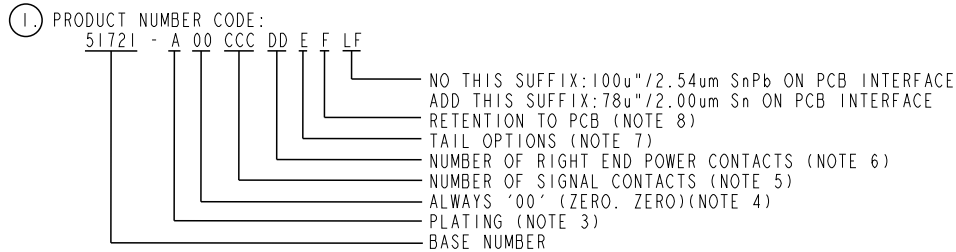
spec ref	*	dr	Julia Wang	2006/09/20	projection 	MM ←→	size	A4	scale	1:1
tolerance std	TOLERANCES UNLESS OTHERWISE SPECIFIED	eng	Ruan MT	2015/09/30			ecn no	ELX-DG-21593-1		
ASME Y14.5		chr	Fancy Zhang	2015/09/30			rel level	Released		
surface	✓ linear	appr	Pei-Ming Zheng	2015/09/30	product family	PwrBlade				
ASME Y14.5		angular	0°	±2°	title	R/A HEADER WITH GUIDE PIN SIGNAL / POWER				
				www.fci.com	cat. no.	51721	Product - Customer Drw	sheet 1 of 3		
					dwg no	51721	rev	P		

PrdE File - REV C - 2009-06-09

PRODUCT NUMBER
51721-A00CCCDDEF--
SEE NOTE 1

DIM	LENGTH FORMULAS (SEE NOTE 10)
DIM "A"	2.54 x (CCC/4) + 6.35 x DD + 16.51(NOTE 10)
DIM "B"	2.54 x (CCC/4) + 6.35 x DD + 8.89
DIM "C"	2.54 x (CCC/4) + 6.35 x DD + 7.62
DIM "E"	2.54 x (CCC/4) + 11.43
DIM "F"	2.541 x (CCC/4) + 6.35 x DD + 17.27
DIM "H"	2.54 x (CCC/4) + 6.35

CONNECTOR NOTES



②. HOUSING MATERIAL: GLASS FILLED V-O HIGH TEMP THERMO PLASTIC.
 SIGNAL CONTACT MATERIAL: COPPER ALLOY
 POWER CONTACT MATERIAL: COPPER ALLOY

③. PLATING OPTION:
 1 = SEE PRINT 10064183 FOR PLATING SPEC OF 51721-100CCCDDEF; 51721-100CCCDDEFLF

④. THIS PART IS NOT AVAILABLE WITH LEFT SIDE POWER CONTACTS.

⑤. SIGNAL CONTACTS, 004 TO 148 AVAILABLE.

⑥. RIGHT END POWER CONTACTS, 01 TO 20 AVAILABLE.
 MAXIMUM OF 20 POWER CONTACTS PER CONNECTOR.

△ ⑦. TAIL OPTIONS:
 A = 3.43 SOLDER TO BOARD
 B = 4.19 SOLDER TO BOARD
 C = 3.43 PRESS FIT
 D = 2.34 SOLDER TO BOARD

- ⑧. RETENTION TO PCB OPTIONS:
 A = BOARD LOCK (REQUIRES 2.49 +0.05, -0.03 THRU HOLE IN PCB).
 MOUNTING FOOT THICKNESS 5.59
 B = 3.81 THRU HOLE (REQUIRES 4.01±0.07 THRU HOLE IN PCB).
 MOUNTING FOOT THICKNESS 4.06
 MOUNTING HOLES, WHERE APPLICABLE, ARE UNPLATED.
- ⑨. MANUFACTURE'S NAME, P/N, AND DATE CODE TO APPEAR ON THIS SURFACE.
- ⑩. THE MAXIMUM OVERALL LENGTH (DIM A) OF A PART IS 203.2
11. PRODUCT SPECIFICATION GS-12-149
 APPLICATION SPECIFICATION BUS-20-067
12. REFERENCE 51697 FOR SELECT LOAD/FMLB WORKSHEET

PCB NOTES:

13. ALL DIMENSIONS ARE BASIC UNLESS OTHERWISE SPECIFIED.
 14. ALL THROUGH HOLES ARE LOCATED WITH A TRUE POSITION OF 0.10
 15. ALL HOLE DIAMETERS ARE FINISHED HOLE SIZE.
 16. ∅1.151±0.025 DRILLED HOLES PLATED WITH 0.008 MIN SnPb OR Sn OVER 0.03 TO 0.08 Cu PLATING TO ACHIEVE A 1.02±0.07 HOLE.

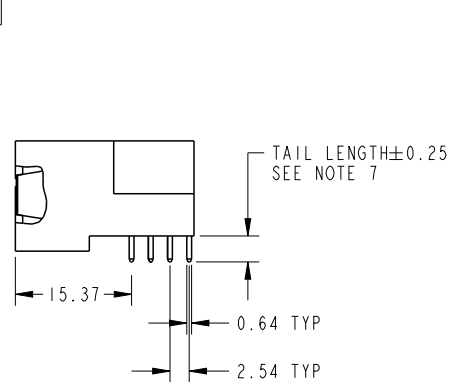
△ ⑬. A △ SYMBOL WILL BE NEXT TO ANY DIMENSION, VIEW, OR NOTE WHICH HAS BEEN MODIFIED WITH THE CURRENT DRAWING REVISION.
 △ ⑭. CONNECTOR KEEP OUT ZONE



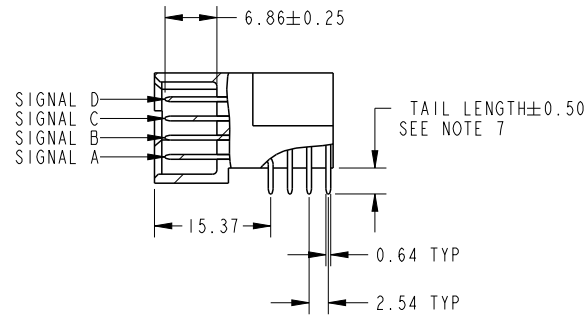
Copyright FCI.

dr	Julia Wang	2006/09/20	projection 	MM 	size	A4	scale	1:1
eng	Ruan MT	2015/09/30			ecn no	ELX-DG-21593-1		
chr	Fancy Zhang	2015/09/30			rel level	Released		
appr	Pei-Ming Zheng	2015/09/30	product family	PwrBlade		rev	P	
		title	R/A HEADER WITH GUIDE PIN		dwg no	51721		
www.fci.com		cat. no.	51721		Product - Customer Drw		sheet 2 of 3	

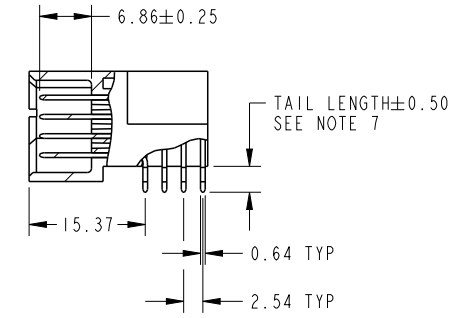
PRODUCT NUMBER
51721-A00CCDDEF__
SEE NOTE 1



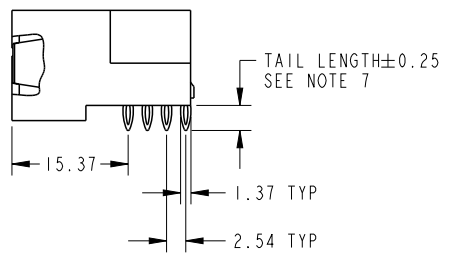
⚠ BROKEN-OUT SECTION B-B FOR SOLDER TO BOARD ONLY



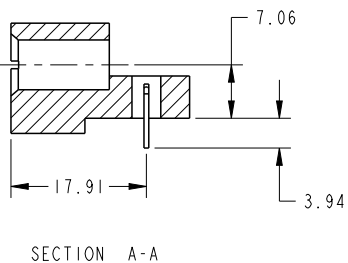
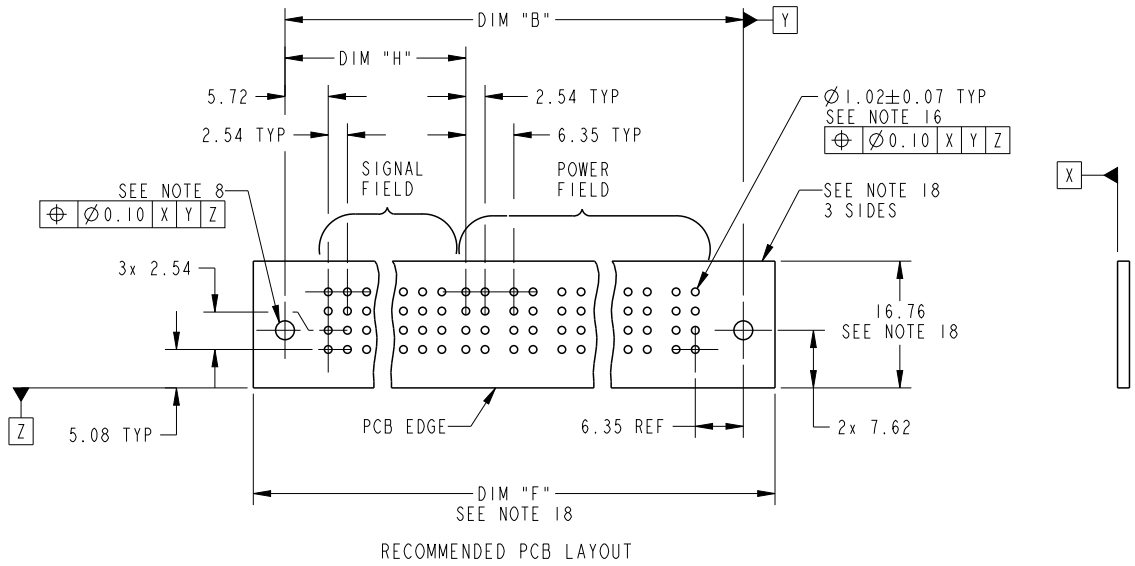
⚠ BROKEN-OUT SECTION C-C FOR SOLDER TO BOARD ONLY



⚠ BROKEN-OUT SECTION C-C FOR PRESS FIT ONLY



⚠ BROKEN-OUT SECTION B-B FOR POWER PRESS FIT ONLY



Copyright FCI.

dr	Julia Wang	2006/09/20	projection 	MM ←→	size	A4	scale	1:1
eng	Ruan MT	2015/09/30			ecn no	ELX-DG-21593-1		
chr	Fancy Zhang	2015/09/30			rel level	Released		
appr	Pei-Ming Zheng	2015/09/30	product family	PwrBlade		rev	P	
www.fci.com		cat. no.	51721	Product - Customer Drw	sheet 3 of 3	title	R/A HEADER WITH GUIDE PIN SIGNAL / POWER	
						dwg no	51721	

Mouser Electronics

Authorized Distributor

Click to View Pricing, Inventory, Delivery & Lifecycle Information:

[FCI / Amphenol:](#)

[51721-10002406AA](#) [51721-10002406AALF](#) [51721-10002406ABLF](#) [51721-10000807AALF](#) [51721-10001608AALF](#)
[51721-10001614ABLF](#) [51721-10002408ABLF](#) [51721-10002410AALF](#) [51721-10002414AALF](#) [51721-10004808ABLF](#)
[51721-10006017AALF](#) [51721-10002412ABLF](#) [51721-10002407AB](#) [51721-10001608AA](#) [51721-10006017AA](#) [51721-](#)
[10001605ABLF](#) [51721-10000404AALF](#) [51721-10000802AALF](#) [51721-10000810AALF](#) [51721-10001204AALF](#) [51721-](#)
[10001206AALF](#) [51721-10001206ABLF](#) [51721-10001604AALF](#) [51721-10001606AALF](#) [51721-10002004AALF](#) [51721-](#)
[10002006AALF](#) [51721-10002403ABLF](#) [51721-10002404AALF](#) [51721-10002406AB](#) [51721-10002407ABLF](#) [51721-](#)
[10002408AALF](#) [51721-10002410ABLF](#) [51721-10002416AALF](#) [51721-10003204AALF](#) [51721-10003206ABLF](#) [51721-](#)
[10000804AALF](#) [51721-10001218AALF](#) [51721-10001608ABLF](#) [51721-10004807AALF](#) [51721-10002806AALF](#) [51721-](#)
[10001208AALF](#) [51721-10002420ABLF](#) [51721-10002006ABLF](#) [51721-10003208AALF](#) [51721-10004802AALF](#) [51721-](#)
[10003605AALF](#) [51721-10005611ABLF](#) [51721-10004006AALF](#) [51721-10003603AALF](#) [51721-10000404ABLF](#) [51721-](#)
[B0001204AALF](#) [51721-10003202AALF](#) [51721-10002412AALF](#) [51721-10004803AALF](#) [51721-10007205ABLF](#) [51721-](#)
[10003606AALF](#) [51721-10006403AALF](#) [51721-10000404AA](#) [51721-10001218ABLF](#) [51721-10001602AALF](#) [51721-](#)
[10002808AALF](#) [51721-10002410CALF](#) [51721-10001213AALF](#) [51721-10000806CBLF](#) [51721-10002407AALF](#) [51721-](#)
[10006402ABLF](#) [51721-10004812AALF](#) [51721-B0002406AALF](#) [51721-10004007ABLF](#) [51721-10002005ABLF](#) [51721-](#)
[10001205AALF](#) [51721-10000806ABLF](#) [51721-10002404ABLF](#) [51721-10000805AALF](#) [51721-10001605AALF](#) [51721-](#)
[10003218ABLF](#) [51721-10002806ABLF](#) [51721-10000405AALF](#) [51721-10000812AALF](#) [51721-10000406AALF](#) [51721-](#)
[10001204ABLF](#)