

## Single Pedal Without Cover

### LATCHING

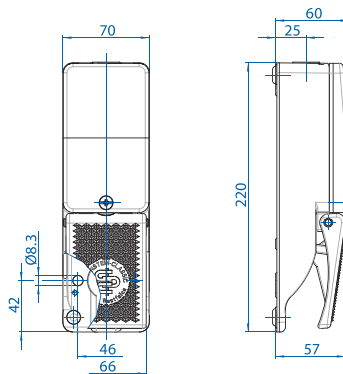
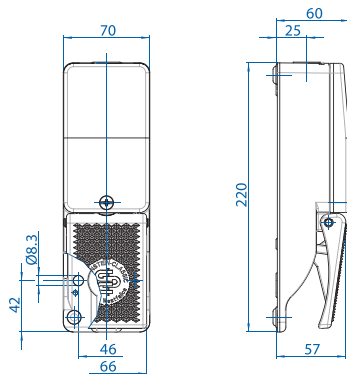


Latching Operation - Push pedal to change contact state. When you release the pedal, the contacts remain in that state. Push again to return to original state.

### ANALOG OUTPUT



Analog Output Operation - As the pedal is depress, voltage or amperage (depending on model) is increase. Features an additional programmable NP NO signaling contact that activates at a preset level.



Single pedal foot switch F1			Single pedal foot switch F1		
Article number	Designation	Switching contacts	Article number	Designation	Output Range
		Pedal 1	<b>616.1500.723</b>	F1-AU0-5	0 - 5 V
<b>616.1000.676</b>	F1-A2Y	2NC	<b>616.1500.724</b>	F1-AU0-10	0 - 5 V
<b>606.1100.001</b>	F1-U1Y	1NC / 1NO	<b>616.1500.725</b>	F1-AI0-20	0 - 20 mA
			<b>616.1500.726</b>	F1-AI4-20	4 - 20 mA

# Mouser Electronics

Authorized Distributor

Click to View Pricing, Inventory, Delivery & Lifecycle Information:

[Altech:](#)

[616.1500.726](#) [616.1500.725](#) [606.1100.001](#) [616.1500.723](#) [616.1500.724](#) [616.1000.676](#)