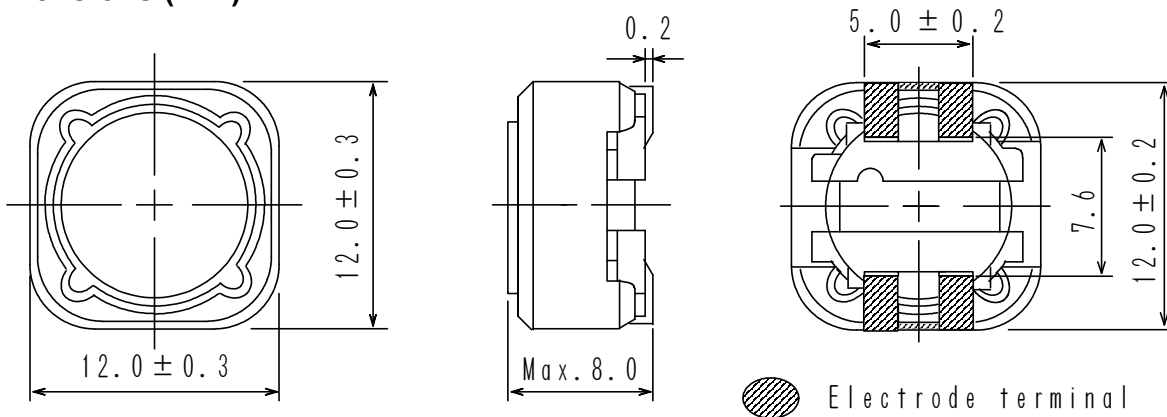


Type: CDRH127, CDRH127/LD
◆ Product Description

- 12.3×12.3mm Max.(L×W), 8.0mm Max. Height.
- Both standard type CDRH127 and Low DCR type CDRH127/LD are available.
- Inductance Range: 1.2 μH~1.0mH(CDRH127); 1.0 μH~1.0mH(CDRH127/LD).
- Rated current range: 0.55~9.8A(CDRH127); 0.7~14A(CDRH127/LD).
- In addition to the standard versions of inductors shown here, custom inductors are available to meet your exact requirements.


◆ Feature

- Magnetically shielded construction.
- Ideally used in Notebook PC, LCD TV,DVD, Game machine, STB ,Projector etc as DC-DC Converter inductors.
- Qualification to AEC-Q200.
- RoHS Compliance and Halogen free.

◆ Dimensions (mm)

◆ Land Pattern (mm)


Type: CDRH127, CDRH127/LD
◆ Specification(CDRH127)

| Part Name ※ | Stamp | Inductance (μ H) | D.C.R.(Ω) Max.(Typ.) (at 20°C) | Rated current (A)※1 | Measuring frequency |
|-----------------|-------|--------------------------|---|------------------------|------------------------|
| CDRH127NP-1R2N□ | 1R2 | +40% 1.2-20% | 7.0m(5.2m) | 9.80 | at 100 kHz |
| CDRH127NP-2R4N□ | 2R4 | +40% 2.4-20% | 11.5m(8.5m) | 8.00 | |
| CDRH127NP-3R5N□ | 3R5 | +40% 3.5-20% | 13.5m(10.0m) | 7.50 | |
| CDRH127NP-4R7N□ | 4R7 | +40% 4.7-20% | 15.8m(11.7m) | 6.80 | |
| CDRH127NP-6R1N□ | 6R1 | +40% 6.1-20% | 17.6m(13.0m) | 6.60 | |
| CDRH127NP-7R6N□ | 7R6 | +40% 7.6-20% | 20.0m(15.0m) | 5.90 | |
| CDRH127NP-100M□ | 100 | 10 \pm 20% | 21.6m(16.0m) | 5.40 | at 1 kHz |
| CDRH127NP-120M□ | 120 | 12 \pm 20% | 24.3m(18.0m) | 4.90 | |
| CDRH127NP-150M□ | 150 | 15 \pm 20% | 27.0m(20.0m) | 4.50 | |
| CDRH127NP-180M□ | 180 | 18 \pm 20% | 39.2m(29.0m) | 3.90 | |
| CDRH127NP-220M□ | 220 | 22 \pm 20% | 43.2m(32.0m) | 3.60 | |
| CDRH127NP-270M□ | 270 | 27 \pm 20% | 45.9m(34.0m) | 3.40 | |
| CDRH127NP-330M□ | 330 | 33 \pm 20% | 64.8m(48.0m) | 3.00 | |
| CDRH127NP-390M□ | 390 | 39 \pm 20% | 72.9m(54.0m) | 2.75 | |
| CDRH127NP-470M□ | 470 | 47 \pm 20% | 0.10 (76.0m) | 2.50 | |
| CDRH127NP-560M□ | 560 | 56 \pm 20% | 0.11 (83.0m) | 2.35 | |
| CDRH127NP-680M□ | 680 | 68 \pm 20% | 0.14 (0.10) | 2.10 | |
| CDRH127NP-820M□ | 820 | 82 \pm 20% | 0.16 (0.12) | 1.95 | |
| CDRH127NP-101M□ | 101 | 100 \pm 20% | 0.22 (0.17) | 1.70 | |
| CDRH127NP-121M□ | 121 | 120 \pm 20% | 0.25 (0.18) | 1.60 | |
| CDRH127NP-151M□ | 151 | 150 \pm 20% | 0.28 (0.21) | 1.42 | |
| CDRH127NP-181M□ | 181 | 180 \pm 20% | 0.35 (0.26) | 1.30 | |
| CDRH127NP-221M□ | 221 | 220 \pm 20% | 0.39 (0.29) | 1.16 | |
| CDRH127NP-271M□ | 271 | 270 \pm 20% | 0.56 (0.42) | 1.06 | |
| CDRH127NP-331M□ | 331 | 330 \pm 20% | 0.64 (0.47) | 0.95 | |
| CDRH127NP-391M□ | 391 | 390 \pm 20% | 0.70 (0.52) | 0.88 | |
| CDRH127NP-471M□ | 471 | 470 \pm 20% | 0.98 (0.73) | 0.79 | |
| CDRH127NP-561M□ | 561 | 560 \pm 20% | 1.07 (0.79) | 0.73 | |
| CDRH127NP-681M□ | 681 | 680 \pm 20% | 1.46 (1.12) | 0.67 | |
| CDRH127NP-821M□ | 821 | 820 \pm 20% | 1.64 (1.26) | 0.60 | |
| CDRH127NP-102M□ | 102 | 1000 \pm 20% | 1.82 (1.40) | 0.55 | |

Type: CDRH127, CDRH127/LD
◆ Specification(CDRH127/LD)

| Part Name ※ | Stamp | Inductance (μ H) | D.C.R.(Ω) Max.(Typ.)(at 20°C) | Rated Current (A)※1 | Measuring frequency |
|--------------------|-------|--------------------------|---|------------------------|------------------------|
| CDRH127/LDNP-1R0N□ | 1R0 | 1.0 \pm 30% | 6.5m(5.0m) | 14.0 | at 100 kHz |
| CDRH127/LDNP-2R4N□ | 2R4 | 2.4 \pm 30% | 10.5m(8.1m) | 10.3 | |
| CDRH127/LDNP-3R5N□ | 3R5 | 3.5 \pm 30% | 12.4m(9.5m) | 9.30 | |
| CDRH127/LDNP-4R6N□ | 4R6 | 4.6 \pm 30% | 13.8m(10.6m) | 9.10 | |
| CDRH127/LDNP-5R8N□ | 5R8 | 5.8 \pm 30% | 16.2m(12.4m) | 8.60 | |
| CDRH127/LDNP-7R4N□ | 7R4 | 7.4 \pm 30% | 17.7m(13.6m) | 7.40 | |
| CDRH127/LDNP-100M□ | 100 | 10 \pm 20% | 19.5m(15.0m) | 6.70 | at 1 kHz |
| CDRH127/LDNP-120M□ | 120 | 12 \pm 20% | 21.3m(16.4m) | 6.45 | |
| CDRH127/LDNP-150M□ | 150 | 15 \pm 20% | 26.4m(20.3m) | 5.65 | |
| CDRH127/LDNP-180M□ | 180 | 18 \pm 20% | 28.0m(21.5m) | 5.10 | |
| CDRH127/LDNP-220M□ | 220 | 22 \pm 20% | 36.4m(28.0m) | 4.70 | |
| CDRH127/LDNP-270M□ | 270 | 27 \pm 20% | 41.6m(32.0m) | 4.20 | |
| CDRH127/LDNP-330M□ | 330 | 33 \pm 20% | 53.3m(41.0m) | 3.90 | |
| CDRH127/LDNP-390M□ | 390 | 39 \pm 20% | 60.5m(46.5m) | 3.50 | |
| CDRH127/LDNP-470M□ | 470 | 47 \pm 20% | 78.0m(60.0m) | 3.25 | |
| CDRH127/LDNP-560M□ | 560 | 56 \pm 20% | 90.0m(69.0m) | 2.90 | |
| CDRH127/LDNP-680M□ | 680 | 68 \pm 20% | 120m(92.0m) | 2.60 | |
| CDRH127/LDNP-820M□ | 820 | 82 \pm 20% | 119m(91.0m) | 2.40 | |
| CDRH127/LDNP-101M□ | 101 | 100 \pm 20% | 151m (119m) | 2.10 | |
| CDRH127/LDNP-121M□ | 121 | 120 \pm 20% | 169m (130m) | 1.90 | |
| CDRH127/LDNP-151M□ | 151 | 150 \pm 20% | 227m (174m) | 1.80 | |
| CDRH127/LDNP-181M□ | 181 | 180 \pm 20% | 299m (230m) | 1.55 | |
| CDRH127/LDNP-221M□ | 221 | 220 \pm 20% | 338m (260m) | 1.45 | |
| CDRH127/LDNP-271M□ | 271 | 270 \pm 20% | 419m (322m) | 1.30 | |
| CDRH127/LDNP-331M□ | 331 | 330 \pm 20% | 471m (362m) | 1.20 | |
| CDRH127/LDNP-391M□ | 391 | 390 \pm 20% | 572m (440m) | 1.10 | |
| CDRH127/LDNP-471M□ | 471 | 470 \pm 20% | 741m (570m) | 1.00 | |
| CDRH127/LDNP-561M□ | 561 | 560 \pm 20% | 852m (655m) | 0.95 | |
| CDRH127/LDNP-681M□ | 681 | 680 \pm 20% | 1.13 (870m) | 0.85 | |
| CDRH127/LDNP-821M□ | 821 | 820 \pm 20% | 1.24 (950m) | 0.75 | |
| CDRH127/LDNP-102M□ | 102 | 1000 \pm 20% | 1.50 (1.15) | 0.70 | |

Type: CDRH127, CDRH127/LD

※ Description of part name

CDRH127/LDNP-1R0N□

| | | |
|---|---|--------------|
| — | B | Box |
| — | C | Carrier Tape |

※1. Rated current: The DC current at which the inductance decreases to 75% of its nominal value or when $\Delta t=40^{\circ}\text{C}$, whichever is lower ($T_a=20^{\circ}\text{C}$).

Mouser Electronics

Authorized Distributor

Click to View Pricing, Inventory, Delivery & Lifecycle Information:

Sumida:

[CDRH127/LDNP-680MC](#) [CDRH127/LDNP-180MC](#) [CDRH127/LDNP-330MC](#) [CDRH127/LDNP-221MC](#)
[CDRH127/LDNP-100MC](#) [CDRH127/LDNP-470MC](#) [CDRH127/LDNP-220MC](#) [CDRH127/LDNP-101MC](#)
[CDRH127/LDNP-390MC](#) [CDRH127NP-151MC](#) [CDRH127/LDNP-270MC](#)