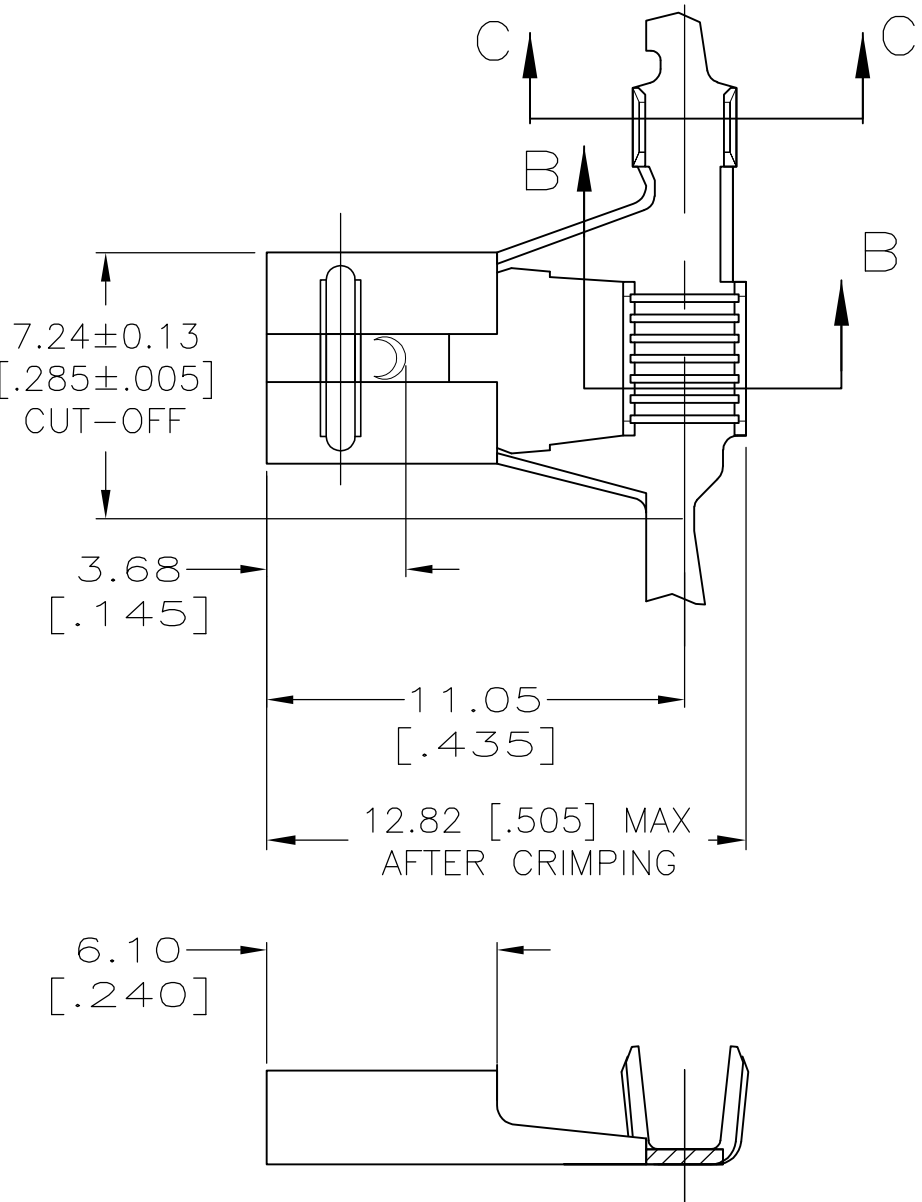
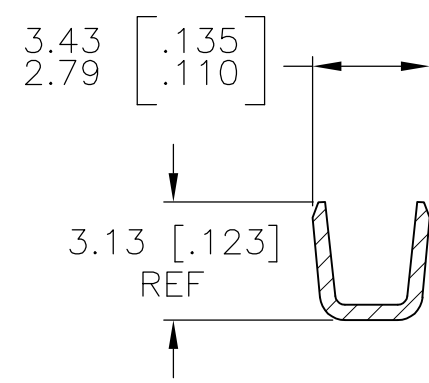
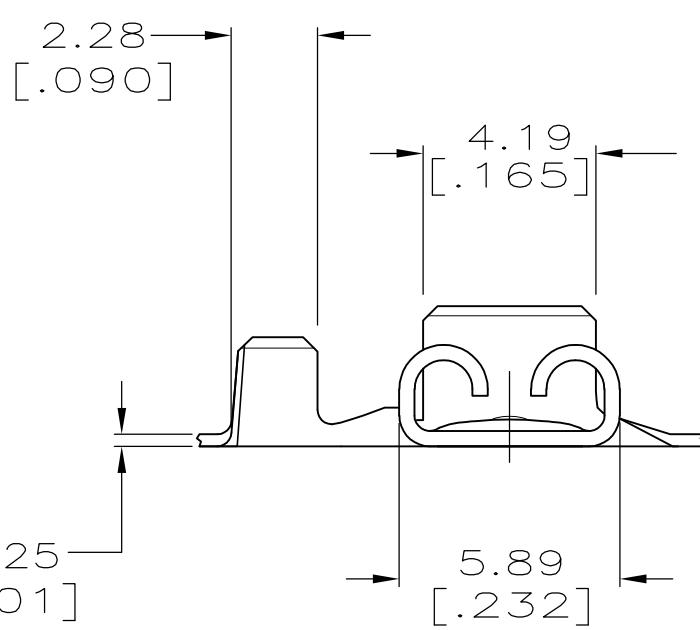


THIS DRAWING IS UNPUBLISHED. RELEASED FOR PUBLICATION  
 © COPYRIGHT - By TYCO ELECTRONICS CORPORATION. ALL RIGHTS RESERVED.

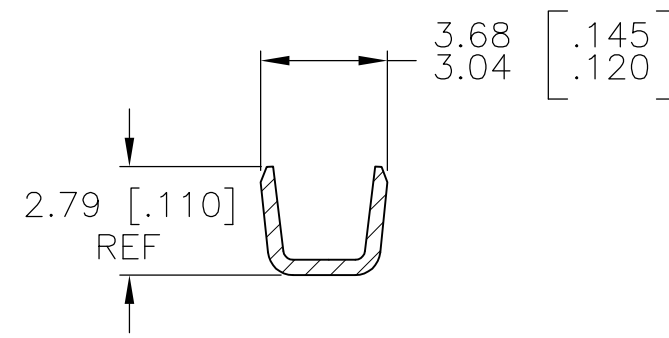
LOC	DIST	REVISIONS			
P	LTR	DESCRIPTION	DATE	DWN	APVD
AF	50				
D		REVISE PER ECR-13-013738	15FEB2014	GRZ	JL



- 1 CONTINUOUS STRIP ON REELS.
- 2 ACCEPTS MAGNET WIRE RANGES 2000-4050 CMA.
- 3 MATING TAB THK TO BE 0.81±0.025 [.032±.001].
- △ 4 0.002032 [.000080] MIN TIN




SECTION B-B



SECTION C-C

1217955-1  
 PART NO.

THIS DRAWING IS A CONTROLLED DOCUMENT.		DWN	JR RUTH	16MAY03	 <b>TE Connectivity</b>
DIMENSIONS: mm		CHK	MS FEHER	16MAY03	
TOLERANCES UNLESS OTHERWISE SPECIFIED:		APVD	P DESANTIS	16MAY03	
0 PLC ± - 1 PLC ± - 2 PLC ± 0.25 [.010] 3 PLC ± - 4 PLC ± - ANGLES ± -		PRODUCT SPEC	NAME		
MATERIAL: BRASS		APPLICATION SPEC	RECEPTACLE, FASTON, FLAG, AMPLIVAR, 4.75 [.187] SERIES		RESTRICTED TO
FINISH: △ 4		WEIGHT	A3 00779 C-1217955		
CUSTOMER DRAWING			SCALE	5:1	SHEET 1 OF 1
			REV	D	

# Mouser Electronics

Authorized Distributor

Click to View Pricing, Inventory, Delivery & Lifecycle Information:

[TE Connectivity:](#)

[1217955-1](#)