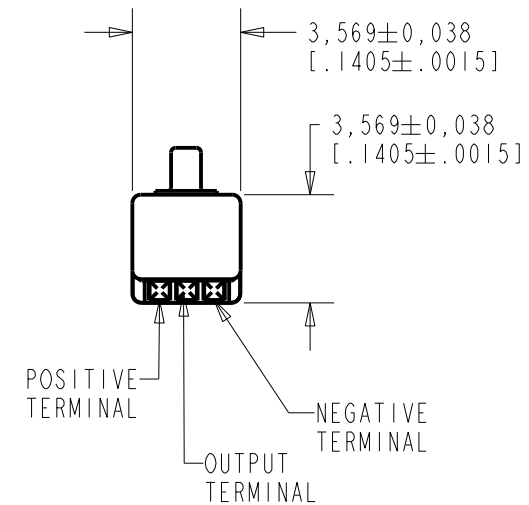
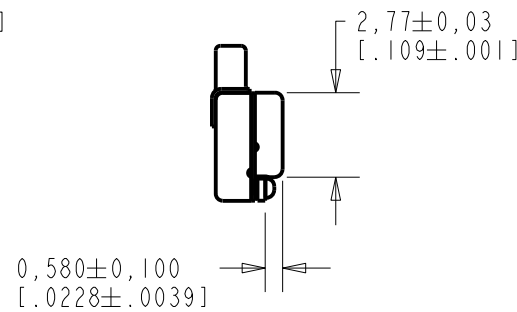
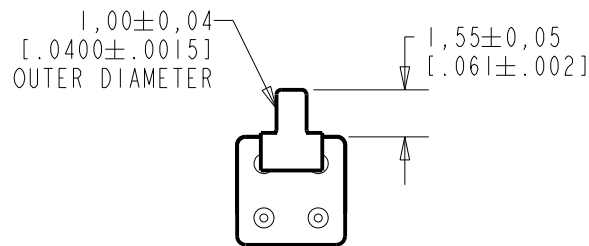
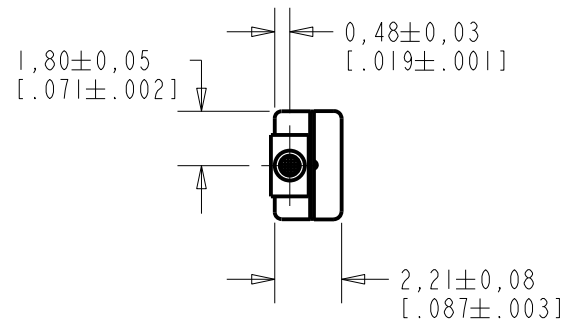


BEM-23346-D47
SHT 1.1

NOTE:

- INCREASED PRESSURE AT SOUND INLET CAUSES A POSITIVE GOING VOLTAGE TO APPEAR AT THE OUTPUT TERMINAL, RELATIVE TO THE NEGATIVE TERMINAL.



NOMINAL WEIGHT
.08 GRAMS

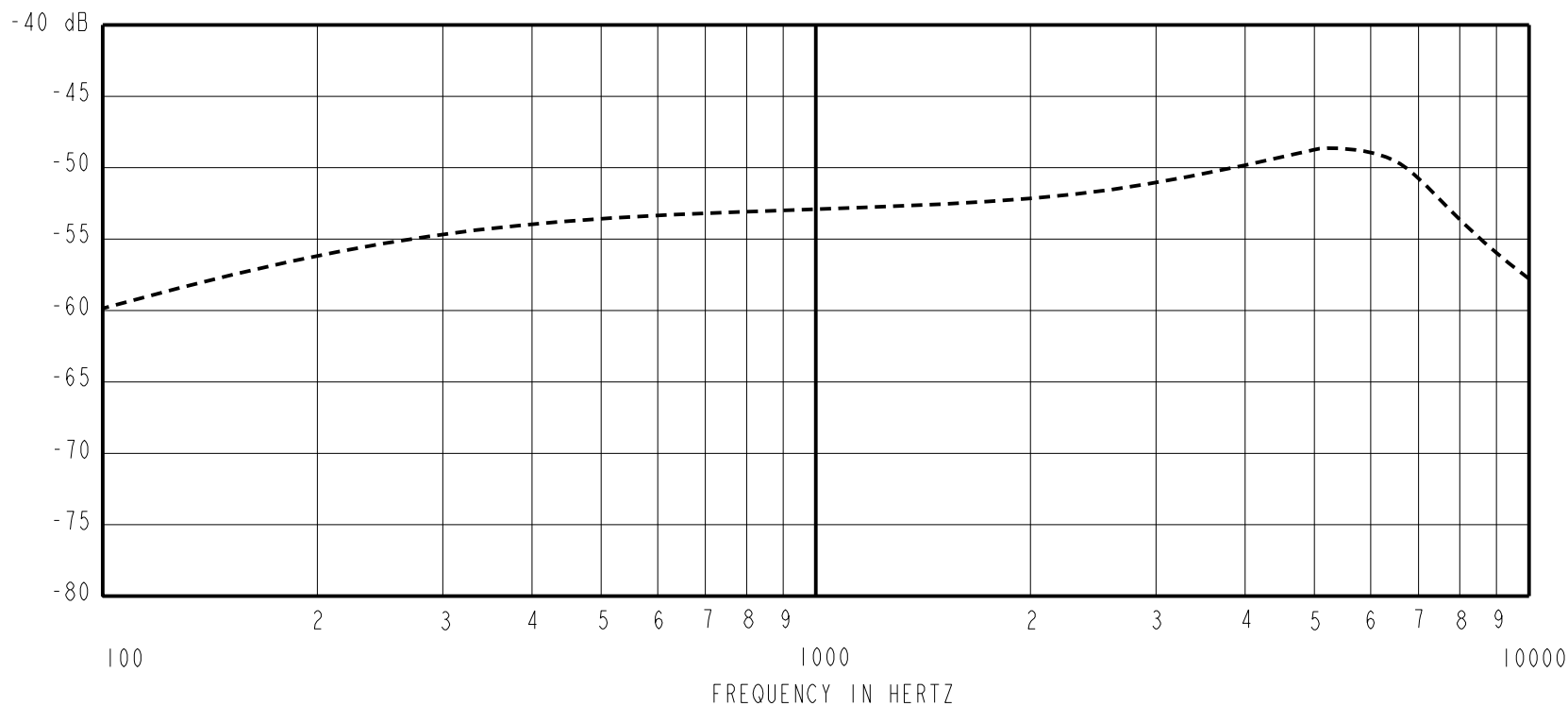
DIMENSIONS IN MILLIMETERS [INCHES]

Revision	C.O. #	Implementation Date	RELEASE LEVEL	REVISION
I	MI0106032	5-14-15	Active	I
H	MI0105779	12-19-14		
G	MI0104420	12-9-11		

SCALE: 4:1		DR. BY	DATE
DO NOT SCALE DRAWING		MMM	6-28-05
TITLE: MICROPHONE		CK. BY	DATE
BEM-23346-D47		GJP	7-1-05
OUTLINE DRAWING		APP. BY	DATE
SHT 1.1		GJP	7-1-05

KNOWLES ELECTRONICS
ITASCA, ILLINOIS U.S.A.

SENSITIVITY IN dB RELATIVE TO 1.0 VOLT/0.1 Pa (N/M²)
FOR CONDITIONS SHOWN BELOW.



FREQUENCY	SENSITIVITY			DEVICE CONFORMITY	
	MIN.	NOM.	MAX.	RANGE OF DEVIATION FROM 1KHz	
100	---	-60.0	---	-10.0	-3.0
1000	-56.0	-53.0	-50.0	0.0	0.0
≈5000	---	-48.5	---	+1.5	+7.5

NOTES:

- CASE CONNECTED TO NEGATIVE TERMINAL.
- MICROPHONE TO BE FUNCTIONAL WITH 1.6 VDC SUPPLY.
- TYPICAL SENSITIVITY TO HUMIDITY AT 1000Hz IS 0.03 dB/%RH
- SENSITIVITY AND NOISE VALUES INDICATED ON THIS SPECIFICATION ARE VALID AT 50% HUMIDITY.

PORT LOCATION	DC SUPPLY	AMPLIFIER CURRENT DRAIN	SENSITIVITY CHANGE ON REDUCING SUPPLY TO 0.9VDC	"A" WEIGHTED NOISE (1 KHz EQUIV. SPL)	OUTPUT IMPEDANCE OHMS		
					MIN.	NOM.	MAX.
12B	1.3V	75 μA MAX.	3 dB MAX.	28.0 dB MAX.	2850	5200	8250

Revision	C.O. #	Implementation Date	RELEASE LEVEL	REVISION
I	M10106032	5-14-15	Active	I
H	M10105779	12-19-14		
G	M10104420	12-9-11		

KNOWLES ELECTRONICS
ITASCA, ILLINOIS U.S.A.

WHEN TEST LIMITS ARE USED TO ESTABLISH INCOMING INSPECTION ACCEPTANCE/REJECTION CRITERIA, CORRELATION OF TEST EQUIPMENT WITH KNOWLES IS ALSO REQUIRED FOR ELIMINATION OF EQUIPMENT AND TEST METHOD VARIATION

TITLE: **MICROPHONE** **BEM-23346-D47**
PERFORMANCE SPECIFICATION **SHT 2.1**

DR. BY	DATE
MMM	6-28-05
CK. BY	DATE
GJP	7-1-05
APP. BY	DATE
GJP	7-1-05

Mouser Electronics

Authorized Distributor

Click to View Pricing, Inventory, Delivery & Lifecycle Information:

[Knowles:](#)

[EM-31144-P58](#) [BEM-23346-D47](#) [BEM-24368-D47](#)