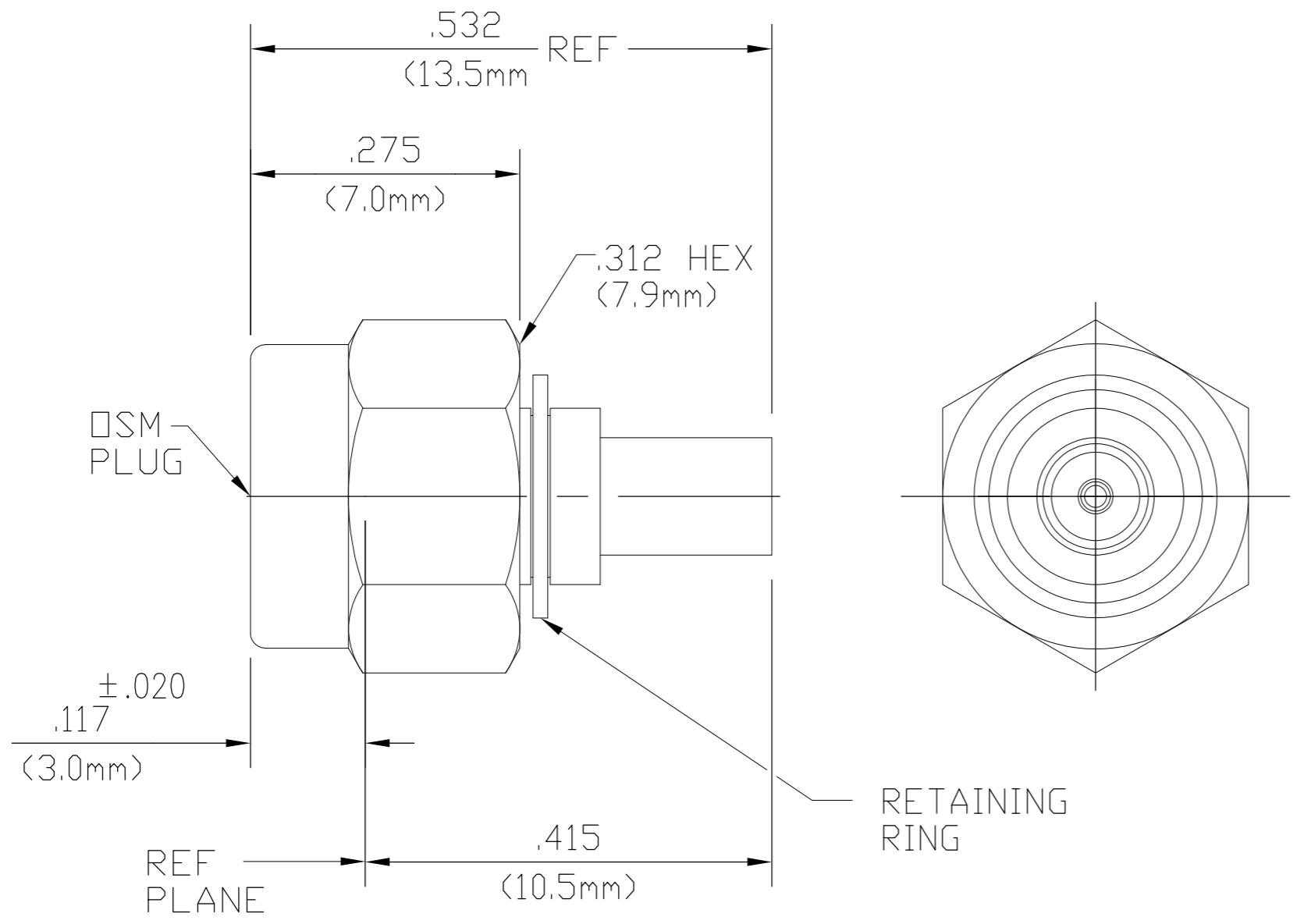


THIS DRAWING IS UNPUBLISHED. RELEASED FOR PUBLICATION
 © COPYRIGHT BY TYCO ELECTRONICS CORPORATION. ALL RIGHTS RESERVED.

LOC	DIST	REVISIONS					
AJ	00	P	LTR	DESCRIPTION	DATE	DWN	APVD
		B		REV PER ECO 07-004710	3/14/2007	DW	KW



1050564-1
 PART NUMBER

COMPONENT	MATERIAL	FINISH
HOUSING COUPLING NUT	STAINLESS STEEL PER ASTM-A484 AND ASTM-A582, TYPE 303	GOLD PLATE PER MIL-G-45204 OVER NICKEL PLATE PER QQ-N-290
DIELECTRIC	TFE FLUOROCARBON PER ASTM-D-1457, MIL-P-19468, AND FED. SPEC L-P-403	N/A
CENTER CONTACT	BERYLLIUM COPPER PER ASTM B196, ALLOY 173 OR BRASS PER ASTM-B-16	GOLD PLATE PER MIL-G-45204 OVER COPPER PLATE PER MIL-C-14550
RETAINING RING	BERYLLIUM COPPER PER ASTM B196	GOLD PLATE PER MIL-G-45204 OVER COPPER PLATE PER MIL-C-14550
GASKET	SILICONE RUBBER PER ZZ-R-765	N/A

CABLE ENTRY DIAMETER MINIMUM	
HOUSING	.088
CONTACT	.021

NOTES:
 1. DESIGNED FOR USE WITH .085 DIA SEMI-RIGID CABLE

THIS DRAWING IS A CONTROLLED DOCUMENT.

DWN	P.P.	7/21/79	 Tyco Electronics Corporation Harrisburg, PA 17105-3608
CHK	R.SMITH	7/25/79	
APVD	M.H.	7/25/79	
NAME			
DIMENSIONS: INCHES TOLERANCES UNLESS OTHERWISE SPECIFIED: 0 PLC ± - 1 PLC ± - 2 PLC ± - 3 PLC ± .005 4 PLC ± - ANGLES ± 1°			PRODUCT SPEC APPLICATION SPEC WEIGHT - CUSTOMER DRAWING
MATERIAL - FINISH -			SIZE A2 CAGE CODE 00779 DRAWING NO C=1050564 RESTRICTED TO - SCALE 5:1 SHEET 1 of 1 REV B

Mouser Electronics

Authorized Distributor

Click to View Pricing, Inventory, Delivery & Lifecycle Information:

[TE Connectivity:](#)

[2001-5119-00](#)