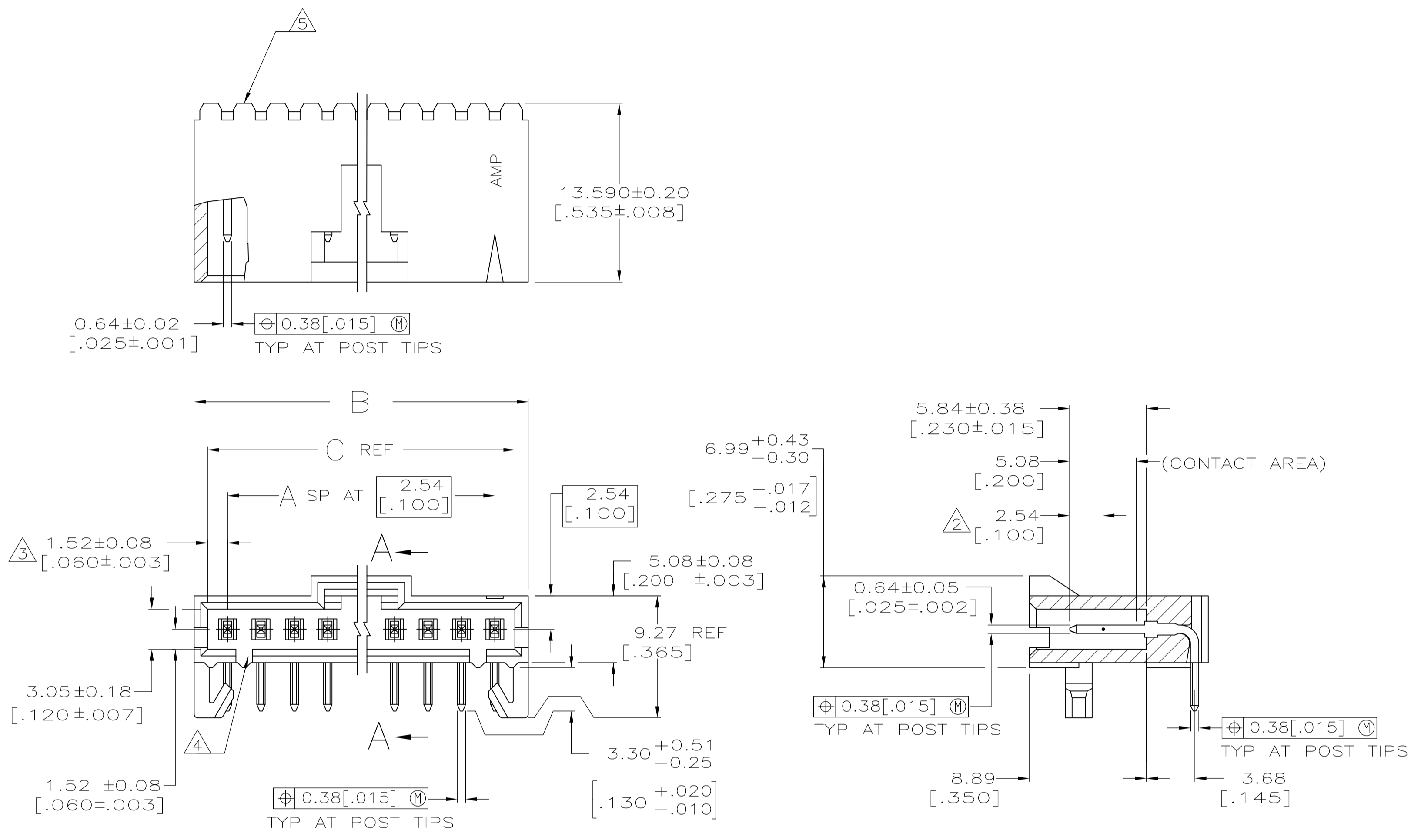
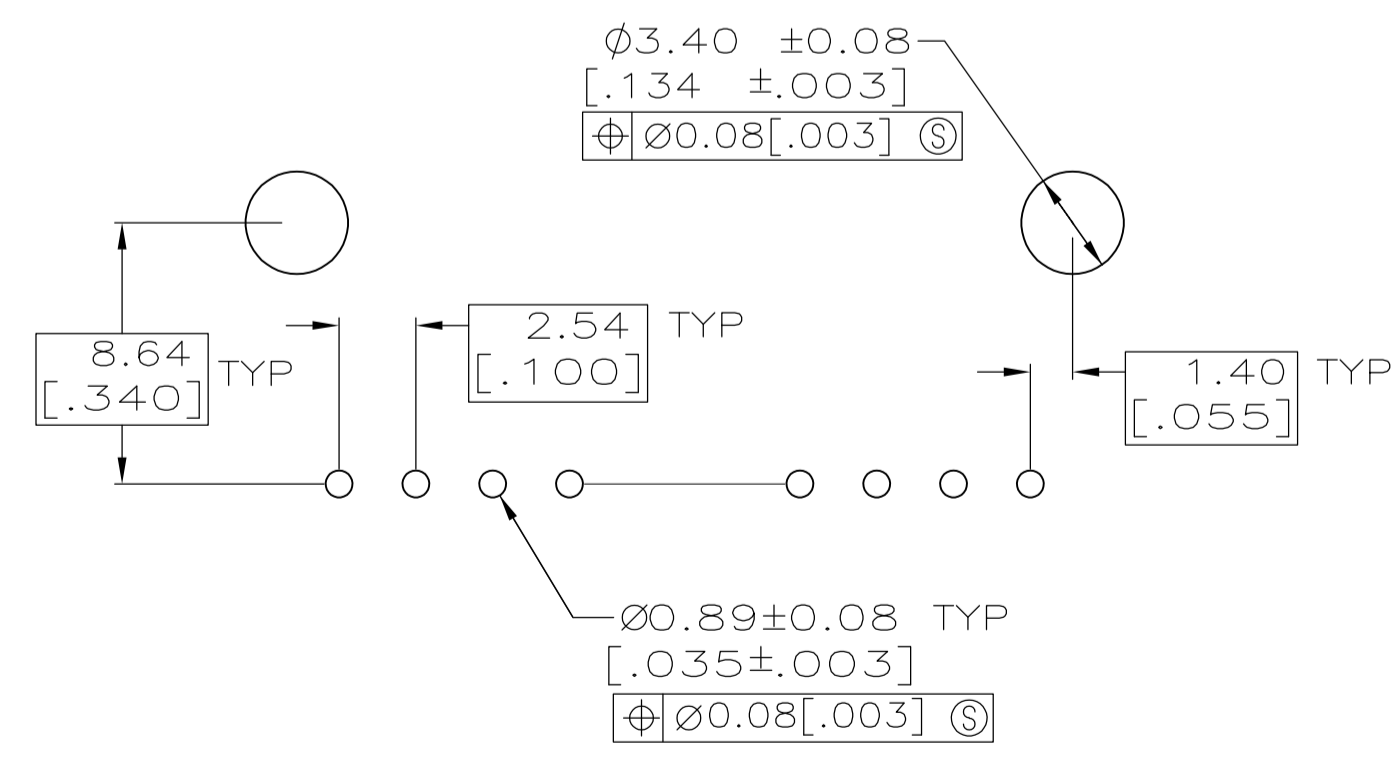


REVISIONS					
P	LTR	DESCRIPTION	DATE	DMN	APVD
T3		REVISED PER ECO-11-004587	11MAR11	RK	HMR
U		REVISED PER ECO-17-002583	08APR2017	RS	MM



SECTION A-A



RECOMMENDED HOLE LAYOUT

- △ .00038[.000015] GOLD IN THE CONTACT AREA, .00254[.000100] MATTE TIN-LEAD ON REMAINDER OF CONTACT, ALL OVER .00127[.000050] NICKEL.
- △ POINT OF MEASUREMENT FOR PLATING THICKNESS.
- △ THE NOTED DIMENSIONS APPLY AT THE INTERSECTION OF THE POST AND THE HOUSING.
- △ ON ASSEMBLIES WITH FOUR OR MORE POSITIONS, TWO POLARIZATION SLOTS. ON ASSEMBLIES WITH TWO OR THREE POSITIONS, ONE POLARIZATION SLOT.
- △ AMP TRADEMARK MOLDED ON THIS SURFACE.
- 6. FOR USE WITH 1.57±0.20[.062±.008] PRINTED CIRCUIT BOARD.
- △ .00038[.000015] GOLD IN THE CONTACT AREA, .00254[.000100] MATTE TIN ON REMAINDER OF CONTACT, ALL OVER .00127[.000050] NICKEL.
- △ PRELIMINARY PART - NOT RELEASED FOR PRODUCTION.
- △ HIGH TEMPERATURE CONFIGURATION.
- △ OBSOLETE PARTS: OBSOLETE CIS STREAMLINING PER D.RENAUD/D.SINISI

SEE SHEET 2 FOR PART NUMBER TABLES

THIS DRAWING IS A CONTROLLED DOCUMENT.		DIN S. SHUEY 05MAR91		TE Connectivity	
DIMENSIONS: mm [INCHES]		TOLERANCES UNLESS OTHERWISE SPECIFIED:			
0 PLC ± - 1 PLC ± - 2 PLC ± 0.13[.005] 3 PLC ± - 4 PLC ± - ANGLES ± -		DIM: S. SHUEY 05MAR91 CHK: J. GESFORD 05MAR91 APVD: J. GESFORD 05MAR91		NAME: HDR ASSY, RTANG, SINGLE ROW PRODUCT SPEC: 2.54[.100] C/L 0.64[.025] SQ. POST, WITH PLZN & HOLD DOWNS, AMPMODU MTE APPLICATION SPEC: 108-25034 SIZE: 114-25026 CAGE CODE: A1 DRAWING NO: 00779 WEIGHT: 103673	
MATERIAL: -		FINISH: SEE TABLE		CUSTOMER DRAWING SCALE: 4:1 SHEET: 1 OF 2 REV: U	

REMARKS	PLATING	C	B	A	NO. OF POSN	PART NO.
		64.01 [2.520]	65.91 [2.595]	24	25	7-103673-4 OBSOLETE $\triangle 10$
		61.47 [2.420]	63.37 [2.495]	23	24	7-103673-3
		58.93 [2.320]	60.83 [2.395]	22	23	7-103673-2 OBSOLETE $\triangle 10$
		56.39 [2.220]	58.29 [2.295]	21	22	7-103673-1 OBSOLETE $\triangle 10$
		53.85 [2.120]	55.75 [2.195]	20	21	7-103673-0 OBSOLETE $\triangle 10$
		51.31 [2.020]	53.21 [2.095]	19	20	6-103673-9
		48.77 [1.920]	50.67 [1.995]	18	19	6-103673-8 OBSOLETE $\triangle 10$
		46.23 [1.820]	48.13 [1.895]	17	18	6-103673-7 OBSOLETE $\triangle 10$
		43.69 [1.720]	45.59 [1.795]	16	17	6-103673-6
		41.15 [1.620]	43.05 [1.695]	15	16	6-103673-5
		38.61 [1.520]	40.51 [1.595]	14	15	6-103673-4
		36.07 [1.420]	37.97 [1.495]	13	14	6-103673-3
		33.53 [1.320]	35.43 [1.395]	12	13	6-103673-2 OBSOLETE $\triangle 10$
		30.99 [1.220]	32.89 [1.295]	11	12	6-103673-1
		28.45 [1.120]	30.35 [1.195]	10	11	6-103673-0
		25.91 [1.020]	27.81 [1.095]	9	10	5-103673-9
		23.37 [.920]	25.27 [0.995]	8	9	5-103673-8
		20.83 [.820]	22.73 [.895]	7	8	5-103673-7
		18.29 [.720]	20.19 [.795]	6	7	5-103673-6
		15.75 [.620]	17.65 [.695]	5	6	5-103673-5
		13.21 [.520]	15.11 [.595]	4	5	5-103673-4
		10.67 [.420]	12.57 [.495]	3	4	5-103673-3
		8.13 [.320]	10.03 [.395]	2	3	5-103673-2
		5.59 [.220]	7.49 [.295]	1	2	5-103673-1

REMARKS	PLATING	C	B	A	NO. OF POSN	PART NO.
		41.15 [1.620]	43.05 [1.695]	15	16	2-103673-6
		18.29 [.720]	20.19 [.795]	6	7	2-103673-5
		64.01 [2.520]	65.91 [2.595]	24	25	2-103673-4
		61.47 [2.420]	63.37 [2.495]	23	24	2-103673-3
		58.93 [2.320]	60.83 [2.395]	22	23	2-103673-2 OBSOLETE $\triangle 10$
		56.39 [2.220]	58.29 [2.295]	21	22	2-103673-1
		53.85 [2.120]	55.75 [2.195]	20	21	2-103673-0 OBSOLETE $\triangle 10$
		51.31 [2.020]	53.21 [2.095]	19	20	1-103673-9
		48.77 [1.920]	50.67 [1.995]	18	19	1-103673-8 OBSOLETE $\triangle 10$
		46.23 [1.820]	48.13 [1.895]	17	18	1-103673-7
		43.69 [1.720]	45.59 [1.795]	16	17	1-103673-6
		41.15 [1.620]	43.05 [1.695]	15	16	1-103673-5
		38.61 [1.520]	40.51 [1.595]	14	15	1-103673-4
		36.07 [1.420]	37.97 [1.495]	13	14	1-103673-3
		33.53 [1.320]	35.43 [1.395]	12	13	1-103673-2 OBSOLETE $\triangle 10$
		30.99 [1.220]	32.89 [1.295]	11	12	1-103673-1
		28.45 [1.120]	30.35 [1.195]	10	11	1-103673-0
		25.91 [1.020]	27.81 [1.095]	9	10	103673-9
		23.37 [.920]	25.27 [0.995]	8	9	103673-8
		20.83 [.820]	22.73 [.895]	7	8	103673-7
		18.29 [.720]	20.19 [.795]	6	7	103673-6
		15.75 [.620]	17.65 [.695]	5	6	103673-5
		13.21 [.520]	15.11 [.595]	4	5	103673-4
		10.67 [.420]	12.57 [.495]	3	4	103673-3
		8.13 [.320]	10.03 [.395]	2	3	103673-2
		5.59 [.220]	7.49 [.295]	1	2	103673-1

THIS DRAWING IS A CONTROLLED DOCUMENT.

DIMENSIONS: mm [INCHES]	TOLERANCES UNLESS OTHERWISE SPECIFIED: 0 PL ± - 1 PL ± - 2 PL ± 0.13[.005] 3 PL ± - 4 PL ± - ANGLES ± -	DWG: S. SHUEY CHK: J. GESFORD APVD: J. GESFORD NAME:	
	SEE TABLE	PRODUCT SPEC: 108-25034 APPLICATION SPEC: 114-25026	TE Connectivity HDR ASSY, RTANG, SINGLE ROW 2.54[.100] C/L 0.64[.025] SQ. POST, WITH PLZN & HOLD DOWNS, AMPMODU MTE
MATERIAL: -	FINISH: -	WEIGHT: A1 CUSTOMER DRAWING	SIZE: A1 CAGE CODE: 00779 DRAWING NO: 103673 SCALE: 4:1 SHEET 2 OF 2 REV U

Mouser Electronics

Authorized Distributor

Click to View Pricing, Inventory, Delivery & Lifecycle Information:

[TE Connectivity:](#)

[5-103673-2](#)