

DETAIL X
SCALE 2:1

NOTE:
1. MATERIAL :
HOUSING : THERMOPLASTIC UL94V-0,
COLOR: SEE TABLE.

| | | | | |
|----------------------------|-----------|------------|-----------|-------------|
| YELLOW | 33.2 | 30.00±0.20 | 16 | 3-1470201-6 |
| | 31.2 | 28.00±0.20 | 15 | 3-1470201-5 |
| | 29.2 | 26.00±0.20 | 14 | 3-1470201-4 |
| | 27.2 | 24.00±0.20 | 13 | 3-1470201-3 |
| | 25.2 | 22.00±0.15 | 12 | 3-1470201-2 |
| | 23.2 | 20.00±0.15 | 11 | 3-1470201-1 |
| | 21.2 | 18.00±0.15 | 10 | 3-1470201-0 |
| | 19.2 | 16.00±0.15 | 9 | 2-1470201-9 |
| | 17.2 | 14.00±0.10 | 8 | 2-1470201-8 |
| | 15.2 | 12.00±0.10 | 7 | 2-1470201-7 |
| | 13.2 | 10.00±0.10 | 6 | 2-1470201-6 |
| | 11.2 | 8.00±0.08 | 5 | 2-1470201-5 |
| | 9.2 | 6.00±0.08 | 4 | 2-1470201-4 |
| NATURAL OBSOLETE | 7.2 | 4.00±0.05 | 3 | 2-1470201-3 |
| | 5.2 | 2.00±0.05 | 2 | 2-1470201-2 |
| | 33.2 | 30.00±0.20 | 16 | 1-1470201-6 |
| | 31.2 | 28.00±0.20 | 15 | 1-1470201-5 |
| | 29.2 | 26.00±0.20 | 14 | 1-1470201-4 |
| | 27.2 | 24.00±0.20 | 13 | 1-1470201-3 |
| | 25.2 | 22.00±0.15 | 12 | 1-1470201-2 |
| | 23.2 | 20.00±0.15 | 11 | 1-1470201-1 |
| | 21.2 | 18.00±0.15 | 10 | 1-1470201-0 |
| | 19.2 | 16.00±0.15 | 9 | 1470201-9 |
| | 17.2 | 14.00±0.10 | 8 | 1470201-8 |
| | 15.2 | 12.00±0.10 | 7 | 1470201-7 |
| | 13.2 | 10.00±0.10 | 6 | 1470201-6 |
| 11.2 | 8.00±0.08 | 5 | 1470201-5 | |
| 9.2 | 6.00±0.08 | 4 | 1470201-4 | |
| 7.2 | 4.00±0.05 | 3 | 1470201-3 | |
| 5.2 | 2.00±0.05 | 2 | 1470201-2 | |
| HOUSING COLOR | DIM. B | DIM. A | POS. | PART NUMBER |

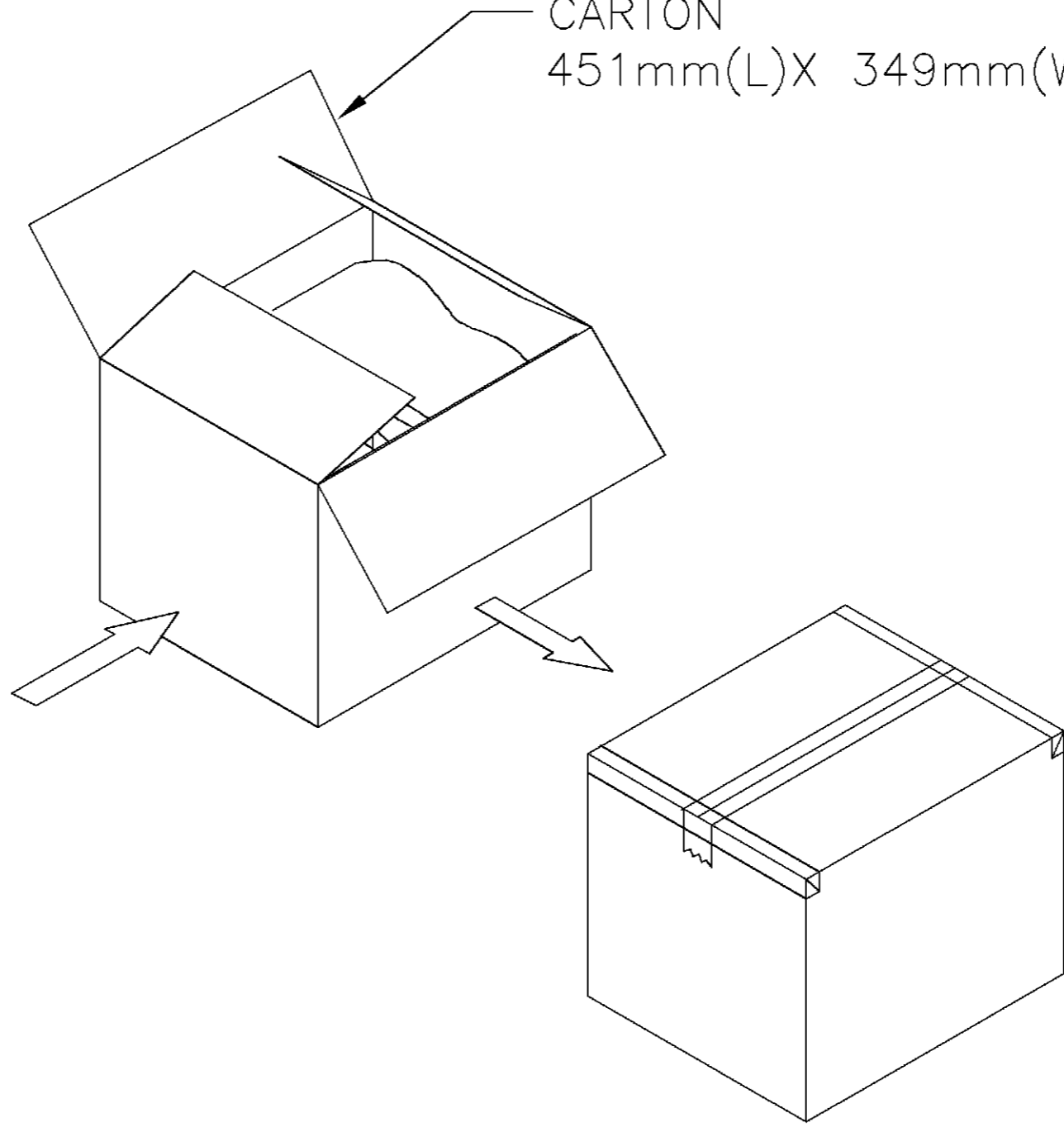
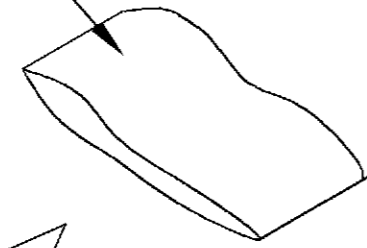
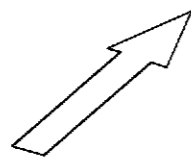
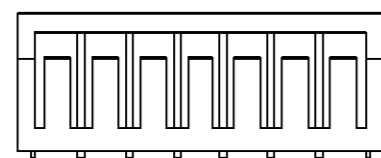
| | | | | |
|---|---------------------------|-------------|---|--|
| DIMENSION : 0 PLC ± 1 PLC ±0.20 2 PLC ±0.10 3 PLC ±0.05 ANGLES ± | DWN | O. HU | TE Connectivity | |
| | | 25-OCT-2002 | | |
| MATERIAL | CHK | J. CHENG | NAME 2.0 MM PITCH, CRIMP, VERTICAL HOUSING. | |
| | | 25-OCT-2002 | | |
| SEE NOTE | APVD | J. WU | LOC SIZE DRAWING NO REV DW A3 C-1470201 B2 | |
| | | 25-OCT-2002 | | |
| SEE NOTE | PRODUCT SPEC | | SCALE SHEET -- 1 OF 2 | |
| | | 108-57158 | | |
| SEE NOTE | QUALIFICATION TEST REPORT | | CUSTOMER DRAWING | |
| | | 501-57248 | | |
| | WEIGHT | | | |

ECO-16-002887 B2

| | | | | |
|-----|-----------------|-------------|-----|--------|
| B1 | | REVISED PER | RK | 5APR11 |
| LTR | REVISION RECORD | ECO | HMR | DATE |
| | | | DWN | CHK |

POLY BAG

CARTON
451mm(L)X 349mm(W)X 302mm(H)



| | | |
|---------------------|------------------|-------------|
| 35,000 | 1000 | 3-1470201-6 |
| 35,000 | 1000 | 3-1470201-5 |
| 40,000 | 1000 | 3-1470201-4 |
| 40,000 | 1000 | 3-1470201-3 |
| 45,000 | 1000 | 3-1470201-2 |
| 45,000 | 1000 | 3-1470201-1 |
| 60,000 | 1000 | 3-1470201-0 |
| 65,000 | 1000 | 2-1470201-9 |
| 80,000 | 1000 | 2-1470201-8 |
| 80,000 | 1000 | 2-1470201-7 |
| 100,000 | 1000 | 2-1470201-6 |
| 120,000 | 1000 | 2-1470201-5 |
| 140,000 | 1000 | 2-1470201-4 |
| 170,000 | 1000 | 2-1470201-3 |
| 260,000 | 1000 | 2-1470201-2 |
| 35,000 | 1000 | 1-1470201-6 |
| 35,000 | 1000 | 1-1470201-5 |
| 40,000 | 1000 | 1-1470201-4 |
| 40,000 | 1000 | 1-1470201-3 |
| 45,000 | 1000 | 1-1470201-2 |
| 45,000 | 1000 | 1-1470201-1 |
| 60,000 | 1000 | 1-1470201-0 |
| 65,000 | 1000 | 1470201-9 |
| 80,000 | 1000 | 1470201-8 |
| 80,000 | 1000 | 1470201-7 |
| 100,000 | 1000 | 1470201-6 |
| 120,000 | 1000 | 1470201-5 |
| 140,000 | 1000 | 1470201-4 |
| 170,000 | 1000 | 1470201-3 |
| 260,000 | 1000 | 1470201-2 |
| APQ (PCS/CARTON) | PPQ (PCS/BAG) | PART NUMBER |

REMOVED

UNLESS OTHERWISE SPECIFIED REMOVE BURRS, BREAK SHARP EDGE 0.4R MAX.

| | | | | | | | |
|-------------|-------------|------------|-------------|-----------------------------------|---|---------|-----|
| DWN | O. HU | APVD | J. WU | tyco Electronics | TYCO HOLDINGS (BERMUDA) VII LTD. TAIWAN BRANCH | | |
| 25-OCT-2002 | 25-OCT-2002 | REL | 25-OCT-2002 | | | | |
| CHK | J. CHENG | REL | | SIZE | LOC | NUMBER | REV |
| 25-OCT-2002 | | | | A3 | DW | 1470201 | B2 |
| TERMINAL | TYPE | FIRST USED | | | | | |
| -- | -- | -- | | | | | |

| | | | |
|--------------|-----------------|-----|--------------|
| SEE SHEET 1. | | | |
| LTR | REVISION RECORD | ECN | DWN/CHK DATE |

SCALE: -- NAME: 2.0 MM PITCH, CRIMP, VERTICAL, HOUSING.

Mouser Electronics

Authorized Distributor

Click to View Pricing, Inventory, Delivery & Lifecycle Information:

[TE Connectivity:](#)

[1-1470201-3](#)