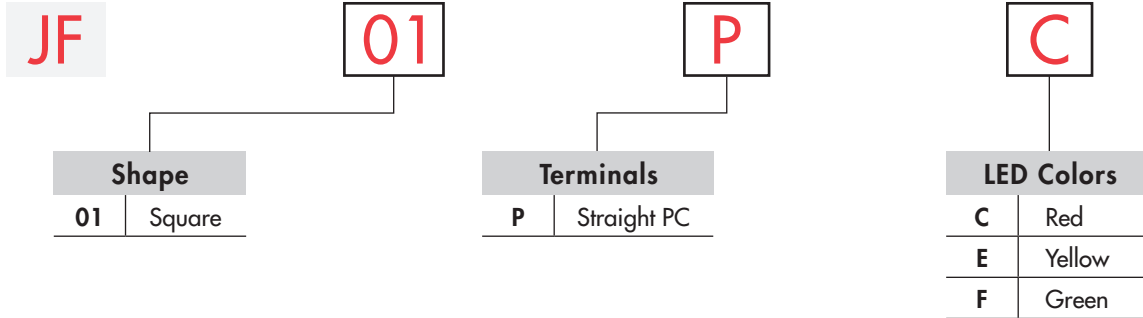
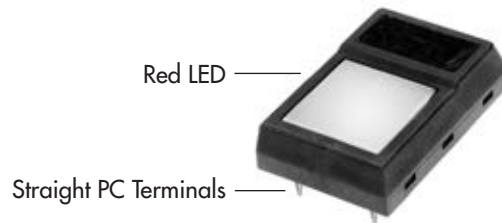


### TYPICAL INDICATOR ORDERING EXAMPLE



### DESCRIPTION FOR TYPICAL ORDERING EXAMPLE

**JF01PC**



### LED COLORS & SPECIFICATIONS

LED is an integral part of the indicator and not available separately.

LED polarity markings are on the bottom of the indicator.

The electrical specifications shown are determined at a basic temperature of 25°C. If the source voltage exceeds the rated voltage, a ballast resistor is required.

The resistor value can be calculated by using the formula in the Supplement section.

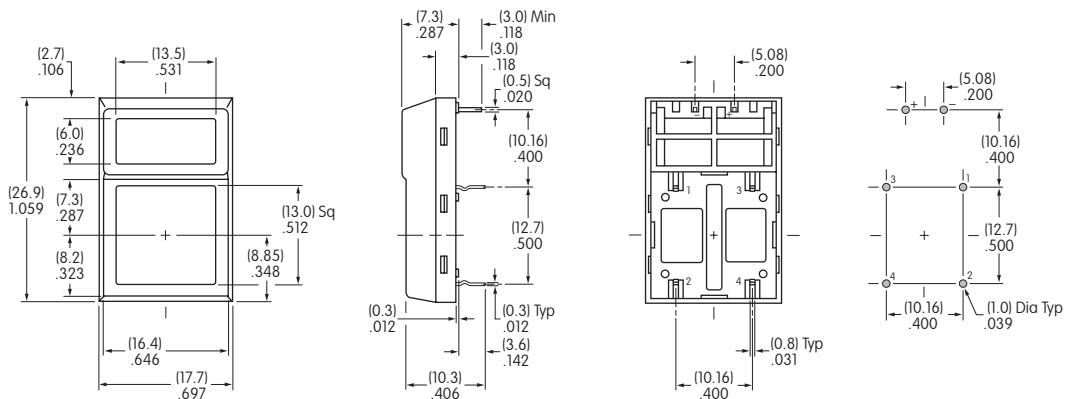
|                                   |              | <b>C</b>     | <b>E</b> | <b>F</b> |
|-----------------------------------|--------------|--------------|----------|----------|
|                                   | Color        | Red          | Yellow   | Green    |
| Maximum Forward Current           | $I_{FM}$     | 30mA         | 30mA     | 30mA     |
| Typical Forward Current           | $I_F$        | 20mA         | 20mA     | 20mA     |
| Forward Voltage                   | $V_F$        | 1.77V        | 2.1V     | 2.3V     |
| Maximum Reverse Voltage           | $V_{RM}$     | 4V           | 4V       | 4V       |
| Current Reduction Rate Above 25°C | $\Delta I_F$ | 0.4mA/°C     | 0.4mA/°C | 0.4mA/°C |
| Ambient Temperature Range         |              | -25° ~ +70°C |          |          |

### TYPICAL INDICATOR DIMENSIONS

#### Square



**JF01PC**



# Mouser Electronics

Authorized Distributor

Click to View Pricing, Inventory, Delivery & Lifecycle Information:

[NKK Switches:](#)

[JF01PF](#) [JF01PE](#) [JF01PC](#)