

6.85
MAX COMPONENT HEIGHT
IN EXTRACTOR SHADOW
AREA. SEE RECOMMENDED
PCB LAYOUT.

2.67±0.25
FOR 1.60 (.063") THK PCB

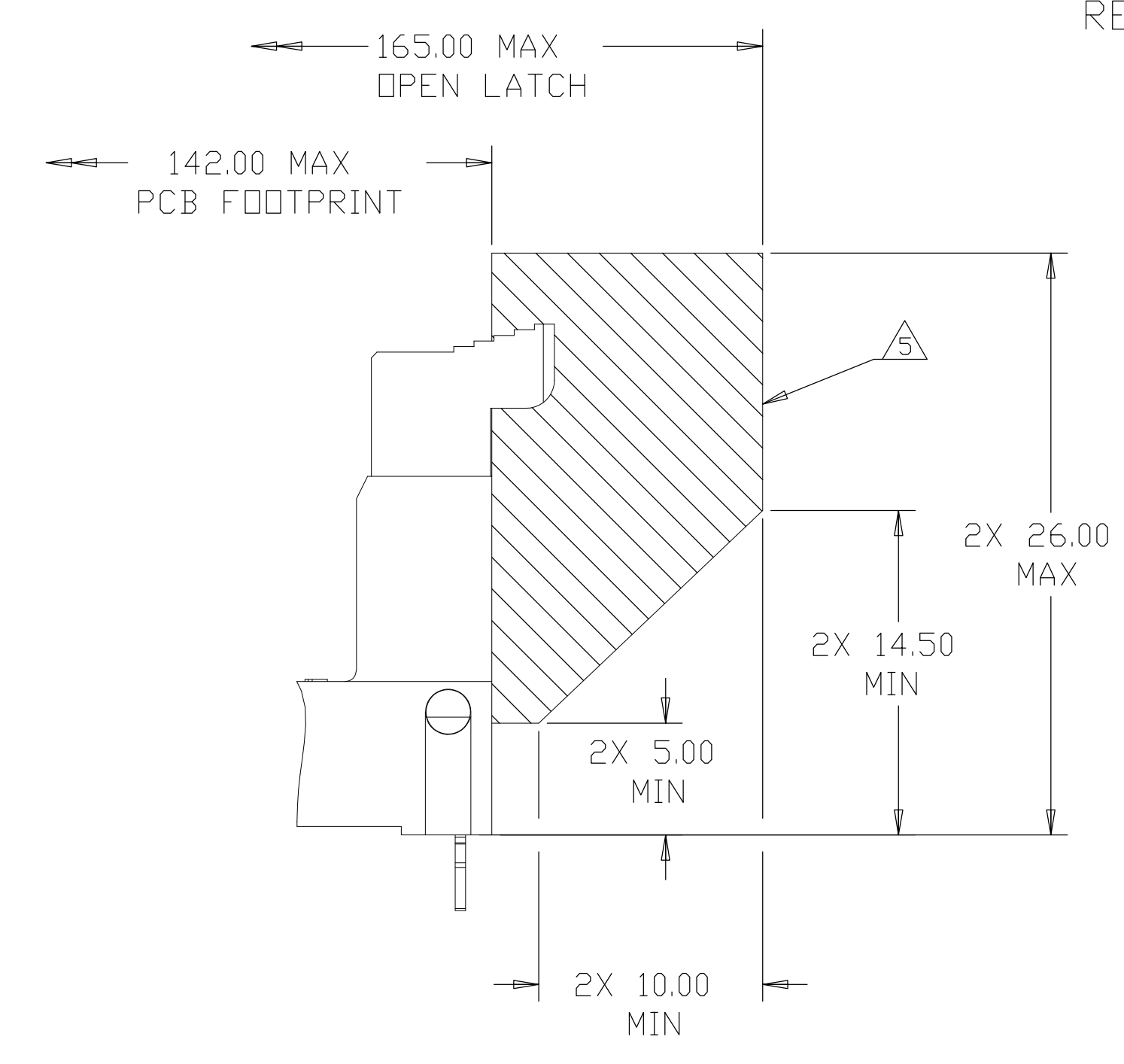
3.18±0.25
FOR 2.36 (.093") THK PCB

4.00±0.25
FOR 3.18 (.125") THK PCB

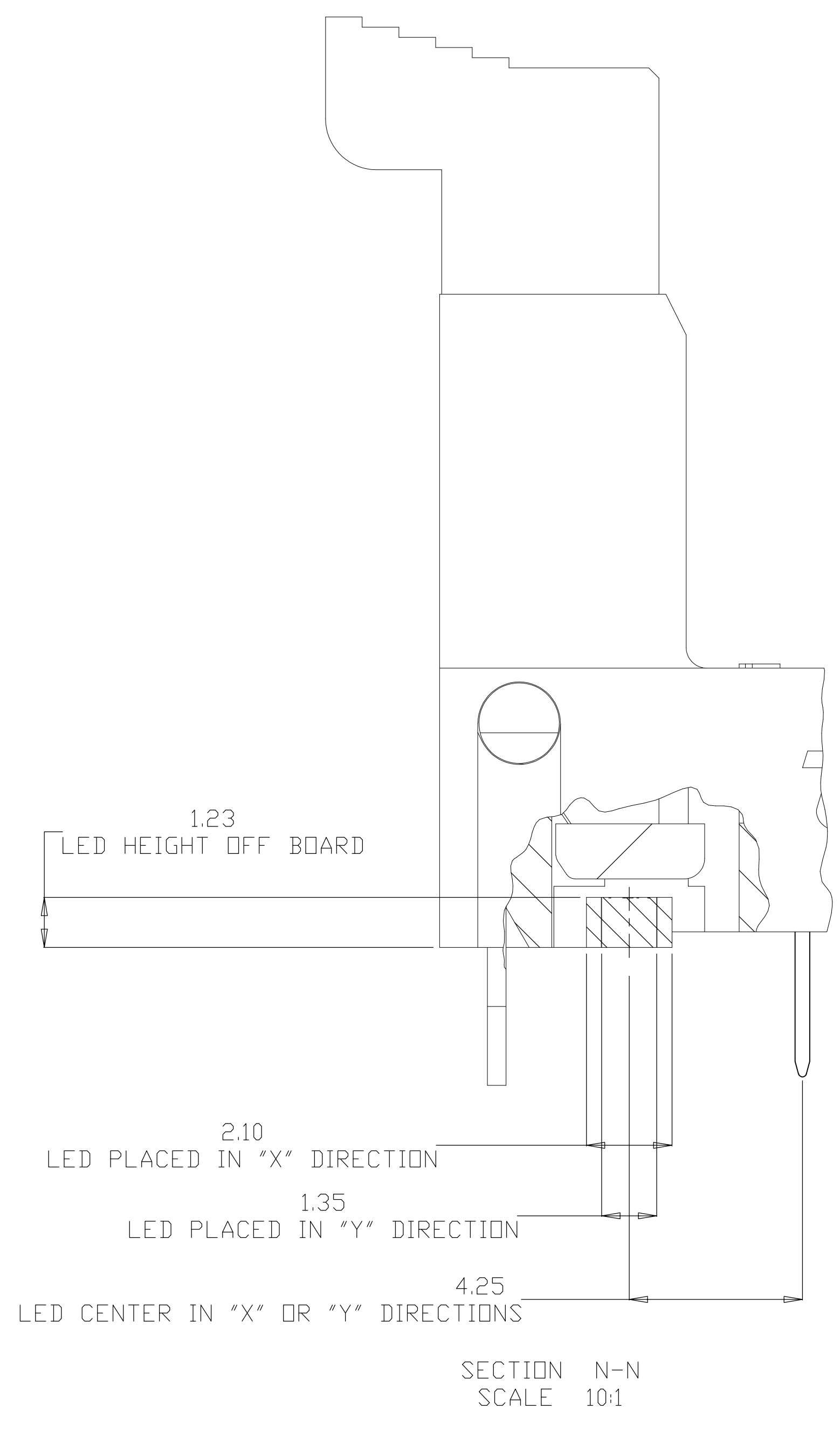
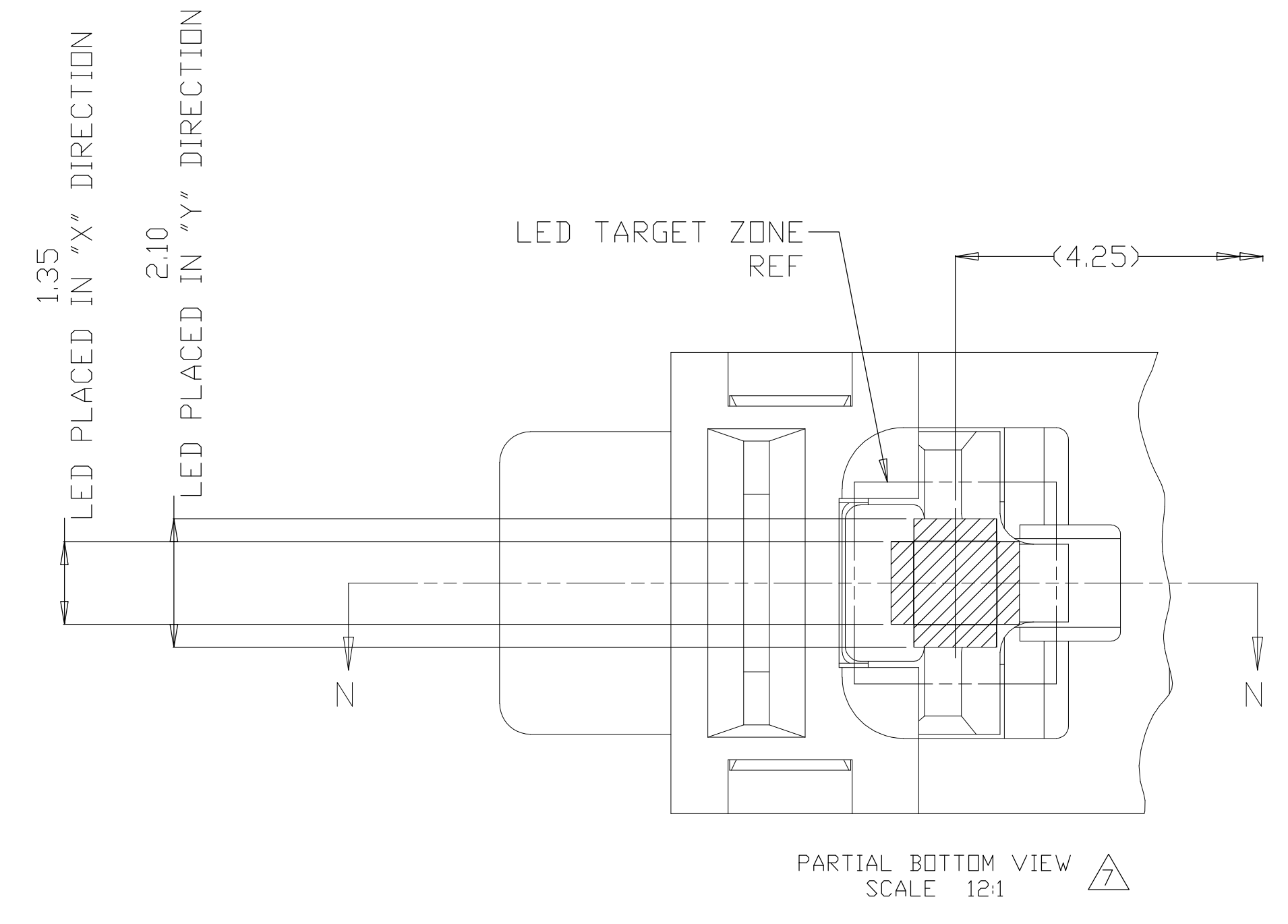
RETENTION BARB TYPE SHOWN ON ALL SHEET UNLESS OTHERWISE NOTED

PLEASE CHECK SHEET 2 FOR PART LIST

- ▲ MATERIALS:
 - HOUSING: HIGH TEMPERATURE NYLON, UL94 V-0
 - EXTRACTOR: HIGH TEMPERATURE NYLON, UL94 V-0
 - CONTACTS: COPPER ALLOY
 - RETENTION BARB: BRASS, TIN PLATED
- ▲ INTERFACE FINISH:
 - (1) 0.00038 MIN THK GOLD OVER 0.00127 MIN THK NICKEL.
 - (2) 0.00008 MIN THK GOLD OVER 0.00127 MIN THK NICKEL.
 - (3) 0.00076 MIN THK GOLD OVER 0.00127 MIN THK NICKEL.
 - (4) 0.00051 MIN THK GOLD OVER 0.00127 MIN THK NICKEL.
- ▲ FINISHED HOLE SIZE. 0.15 MAXIMUM ANNULAR RING.
- ▲ KEEP OUT ZONE.
- ▲ KEEP OUT AREA RESERVED FOR SOCKET EXTRACTORS, BOTH ENDS.
- ▲ SOLDER TAIL FINISH: 0.00300 MIN THK MATTE TIN OVER 0.00127 MIN THK NICKEL.
- ▲ LED LOCATION AS APPLICABLE PER CUSTOMER.
- ▲ DATUM [-G-] IS CONNECTOR SIDE SURFACE OF PCB.



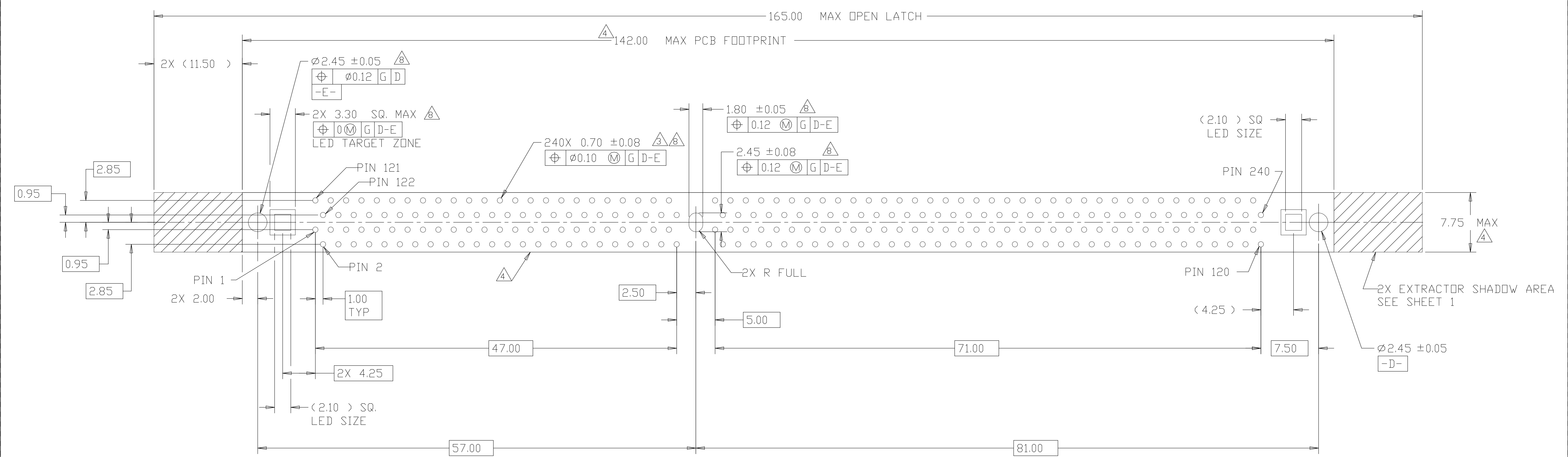
| | | | | | |
|--|----------------|---------------------------|--|---|--|
| THIS DRAWING IS A CONTROLLED DOCUMENT. | | DIN SANDERS YAN 21AUG2007 | | STE TE Connectivity | |
| DIMENSIONS: mm | | CHK LEO ZHOU 21AUG2007 | | | |
| TOLERANCES UNLESS OTHERWISE SPECIFIED: | | APVD STEVEN YAO 21AUG2007 | | NAME: SOCKET ASSEMBLY, VERTICAL DDR3 DIMM, SOLDER TAIL, 240 POSITION, LOWER RESISTANCE TYPE | |
| 0. PLC ± - | 1. PLC ± 0.5 | PRODUCT SPEC: 108-60071 | | APPLICATION SPEC: 114-13154 | |
| 2. PLC ± 0.13 | 3. PLC ± 0.013 | SIZE: A1 | | CUSTOMER DRAWING | |
| 4. PLC ± 0.0001 | ANGLES ± - | WEIGHT: - | | SCALE: 4:1 | |
| MATERIAL: ▲ | | FINISH: ▲▲ | | SHEET 1 OF 4 | |
| | | DATE: 4MAR2013 | | REV: C8 | |



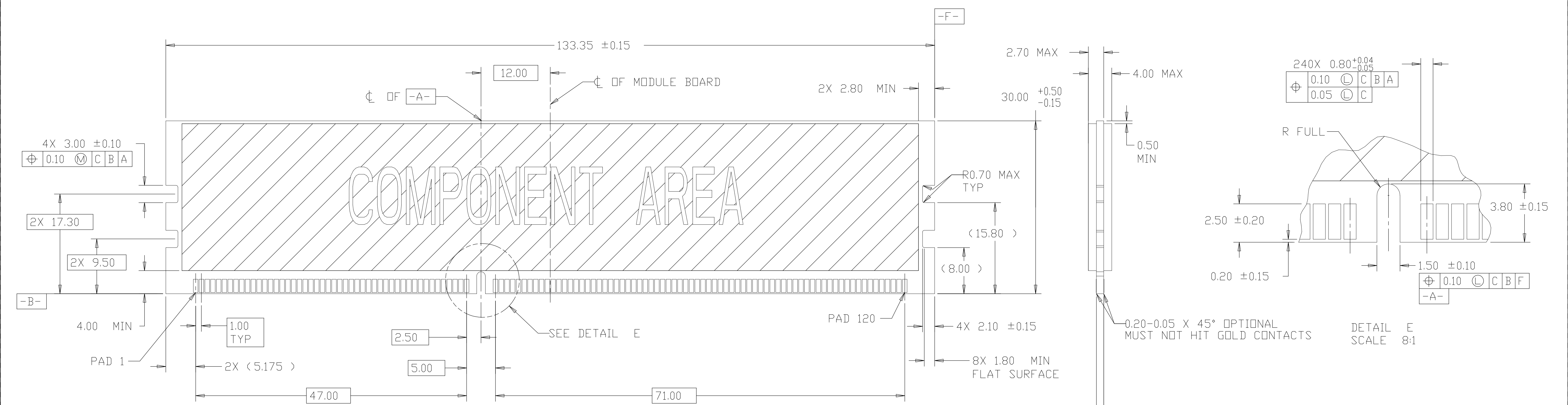
| | | | | | |
|----------------|-----------------|--------------------|------------------------|-------------|-------------|
| RETENTION BARB | NATURAL | BLUE<2935U> | 0.00038 MIN <15u''> | 2.67 | 6-1932031-2 |
| | BLACK | BLACK | 0.00051 MIN <20u''> | 2.67 | 6-1932031-1 |
| | NATURAL | BLACK | 0.00051 MIN <20u''> | 2.67 | 6-1932031-0 |
| | NATURAL | NATURAL | 0.00076 MIN <30u''> | 3.18 | 5-1932031-9 |
| | | BLUE<2935U> | 0.00038 MIN <15u''> | 3.18 | 5-1932031-8 |
| | BLACK | BLACK | 0.00076 MIN <30u''> | 4.00 | 5-1932031-2 |
| | | | | 3.18 | 5-1932031-1 |
| | NATURAL | BLUE<284C> | 0.00038 MIN <15u''> | 3.18 | 4-1932031-9 |
| | | BLACK | | 3.18 | 4-1932031-7 |
| | NATURAL | GREEN<368C> | 0.00038 MIN <15u''> | 3.18 | 3-1932031-4 |
| | NATURAL | BLUE<284C> | 0.00038 MIN <15u''> | 3.18 | 2-1932031-6 |
| | | | | 2.67 | 2-1932031-5 |
| | BLACK | BLACK | 0.00008 MIN <3u''> | 2.67 | 1-1932031-6 |
| | | | | 4.00 | 1-1932031-5 |
| | NATURAL | BLACK | 0.00038 MIN <15u''> | 4.00 | 1-1932031-2 |
| 3.18 | | | | 1-1932031-1 | |
| 2.67 | | | | 1-1932031-0 | |
| NATURAL | NATURAL | 0.00008 MIN <3u''> | 2.67 | 1932031-7 | |
| | | | 3.18 | 1932031-5 | |
| | | | 2.67 | 1932031-4 | |
| HOUSING STYLE | EXTRACTOR COLOR | HOUSING COLOR | CONTACT GOLD INTERFACE | TAIL LENGTH | PART NUMBER |

THIS DRAWING IS A CONTROLLED DOCUMENT.

| | | | | |
|----------------|--|---|-------------------------|----------------------------|
| DIMENSIONS: mm | TOLERANCES UNLESS OTHERWISE SPECIFIED: | DMN SANDERS YAN 21AUG2007 | APVD LEO ZHOU 21AUG2007 | NAME STEVEN YAO 21AUG2007 |
| 0 PLC ± - | 1 PLC ± 0.5 | STE Connectivity | | |
| 2 PLC ± 0.13 | 3 PLC ± 0.013 | SOCKET ASSEMBLY, VERTICAL DDR3 DIMM, SOLDER TAIL, 240 POSITION, LOWER RESISTANCE TYPE | | |
| 4 PLC ± 0.0001 | ANGLES ± - | PRODUCT SPEC 108-60071 | | |
| MATERIAL - | FINISH - | APPLICATION SPEC 114-13154 | SIZE A1 | CAGE CODE DRAWING NO 00779 |
| | | WEIGHT - | SCALE 4:1 | DRAWING NO 1932031 |
| | | CUSTOMER DRAWING | SHEET 2 OF 4 | REV C8 |

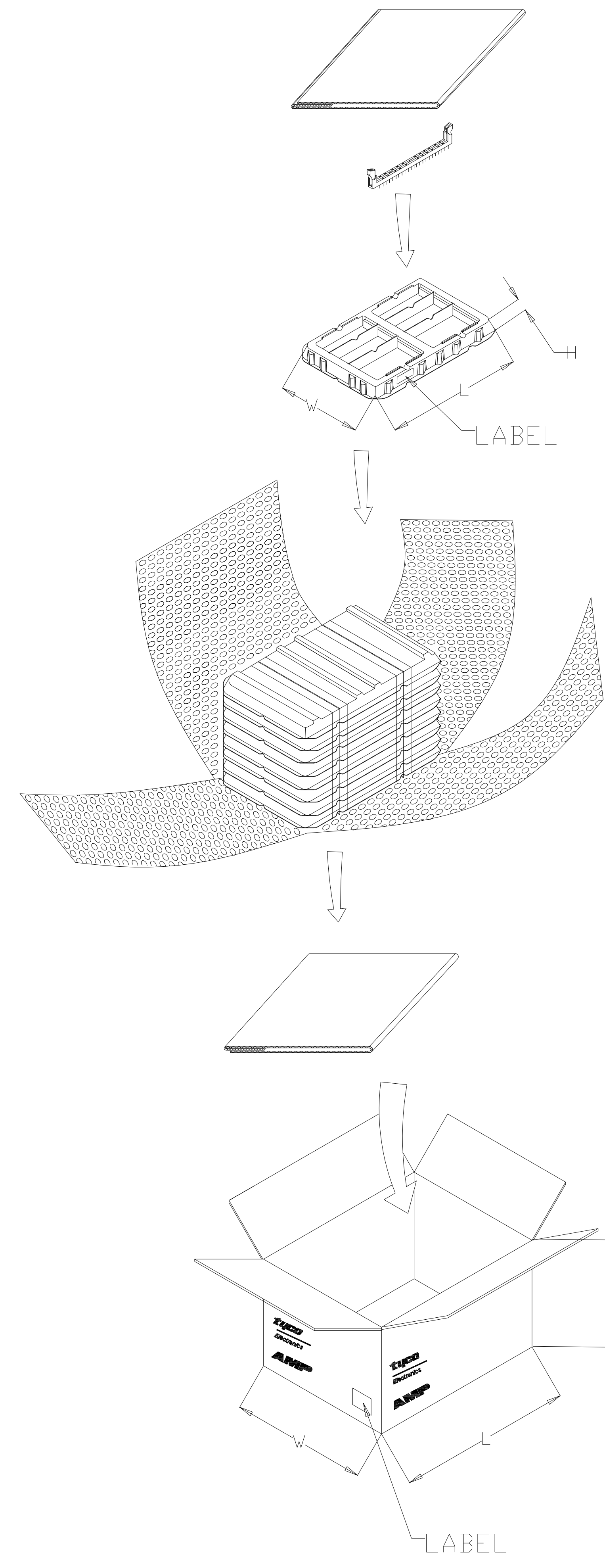


RECOMMENDED PCB LAYOUT VIEWED FROM CONNECTOR SIDE



RECOMMENDED MODULE LAYOUT SCALE 3:1 REFER TO JEDEC MD-269 FOR COMPLETE MODULE DETAILS

| | | | |
|--|--|---------------------------|--|
| THIS DRAWING IS A CONTROLLED DOCUMENT. | | DN SANDERS, YAN 21AUG2007 | TE Connectivity |
| | | CHK LEO ZHOU 21AUG2007 | |
| | | APVD STEVEN YAO 21AUG2007 | NAME SOCKET ASSEMBLY, VERTICAL DDR3 DIMM, SOLDER TAIL, 240 POSITION, LOWER RESISTANCE TYPE |
| | | PRODUCT SPEC 108-60071 | APPLICATION SPEC |
| | | SIZE 114-13154 | RESTRICTED TO |
| | | WEIGHT | A1 00779 C=1932031 |
| | | CUSTOMER DRAWING | SCALE 4:1 SHEET 3 OF 4 REV C8 |



BOTTOM TRAY

TRAY

CARTON

NOTES:

1. MATERIAL:
 - 1.1 TRAY: PVC
 - 1.2 SHIPPING CARTON : CORRUGATED FIBERBOARD
2. DIMENSION :
 - 2.1 TRAY : L=363, W=255, H=33
 - 2.2 SHIPPING CARTON : L=375, W=265, H=280
3. QUANTITY :
 - 3.1 PRIMARY PACKING : 50 PCS/TRAY
 - 3.2 SECONDARY PACKING : 8 TRAY/CARTON(400PCS)
4. WEIGHT :
 - 4.1 NET WEIGHT : 3.76 KG
 - 4.2 GROSS WEIGHT: 6.00 KG

| | | | | |
|--|-----------|---|---|---|
| THIS DRAWING IS A CONTROLLED DOCUMENT. | | DSN SANDERS YAN 21AUG2007 CHK LEO ZHOU 21AUG2007 APVD STEVEN YAO 21AUG2007 | STE TE Connectivity | |
| DIMENSIONS: mm | | TOLERANCES UNLESS OTHERWISE SPECIFIED: 0. PLC ± - 1. PLC ± 0.50 2. PLC ± 0.13 3. PLC ± 0.013 4. PLC ± 0.0001 ANGLES ± - | | NAME: SOCKET ASSEMBLY, VERTICAL DDR3 DIMM, SOLDER TAIL, 240 POSITION, LOWER RESISTANCE TYPE PRODUCT SPEC: 108-60071 APPLICATION SPEC: 114-13154 |
| MATERIAL: - | FINISH: - | WEIGHT: - | SIZE: A1 CAGE CODE: 00779 DRAWING NO: 1932031 | RESTRICTED TO: - |
| CUSTOMER DRAWING | | SCALE: -- | SHEET: 4 OF 4 | REV: C8 |

Mouser Electronics

Authorized Distributor

Click to View Pricing, Inventory, Delivery & Lifecycle Information:

[TE Connectivity:](#)

[5-1932031-8](#)