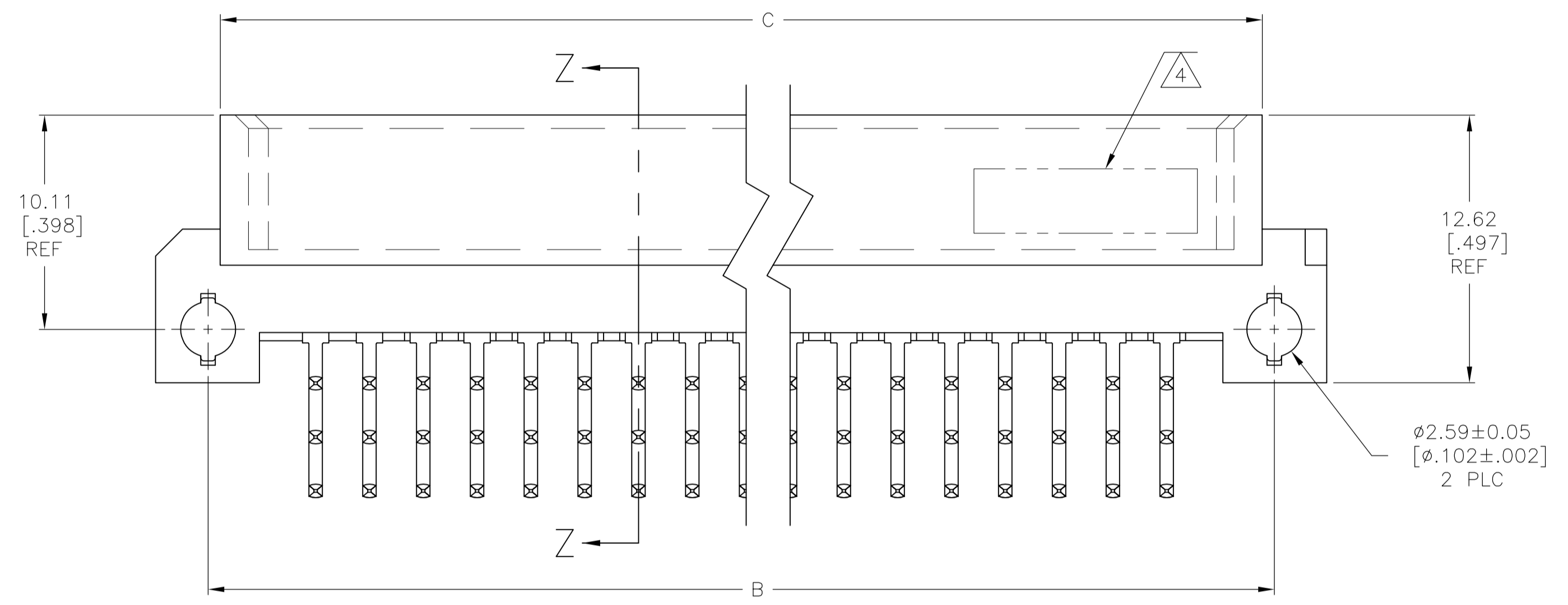
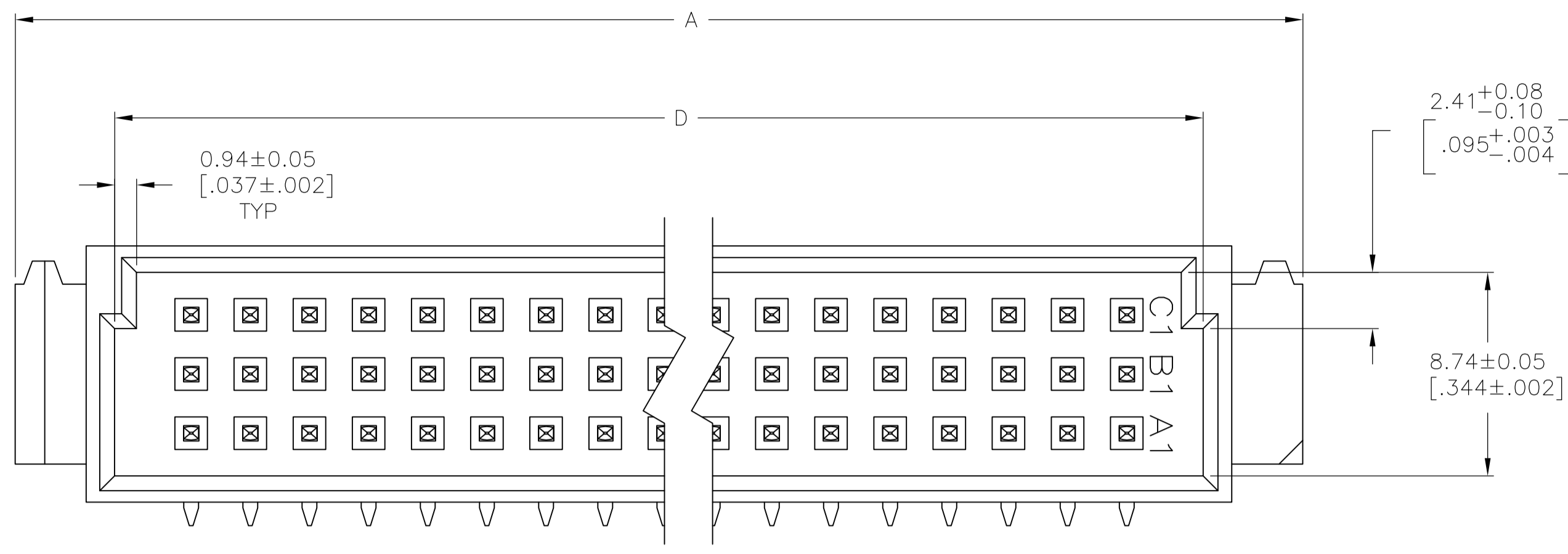
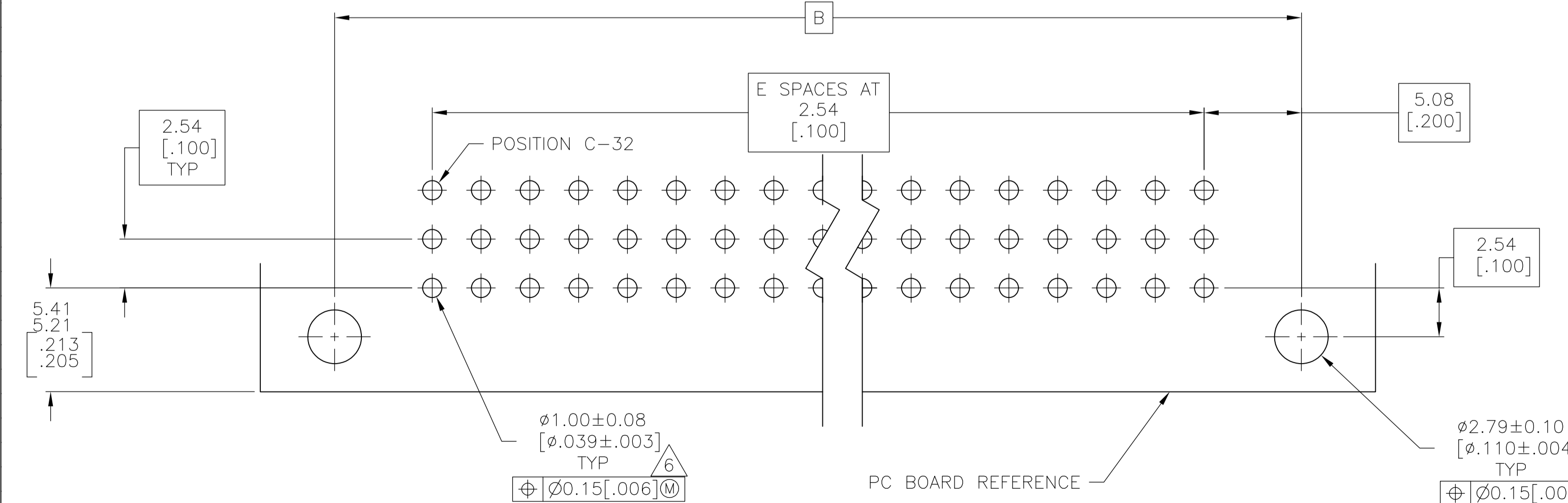
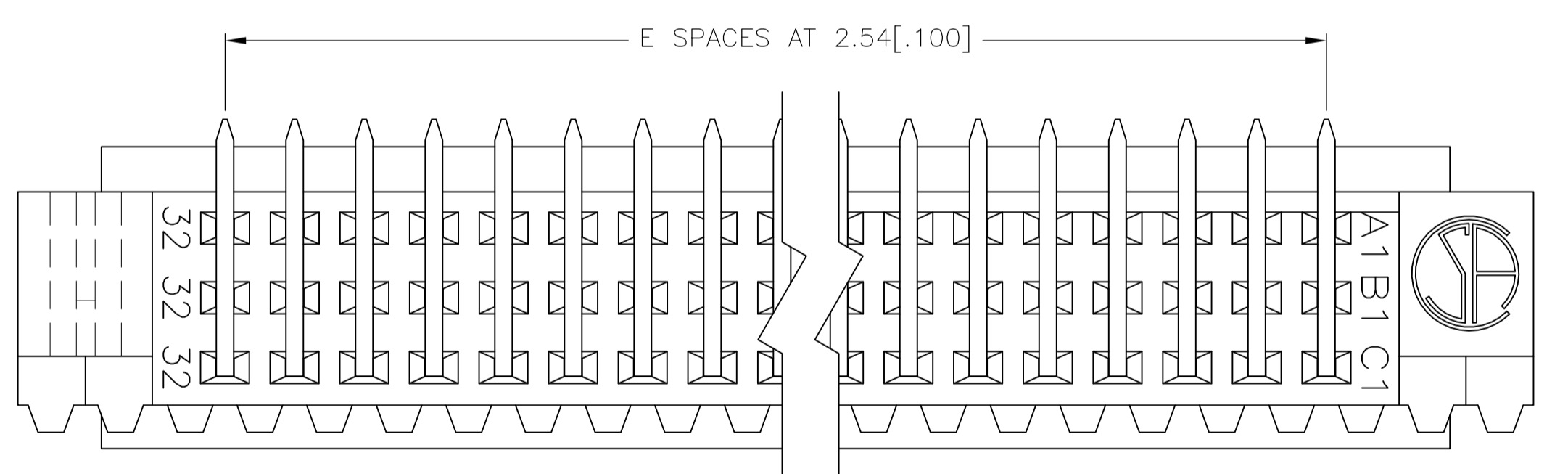
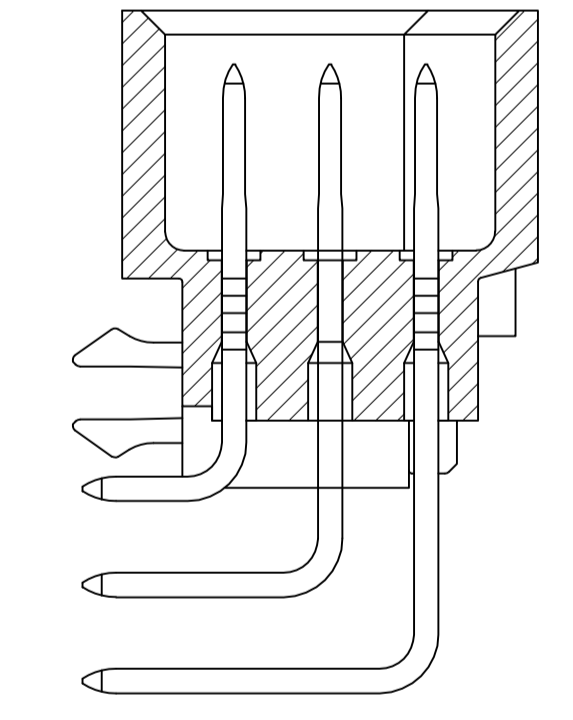
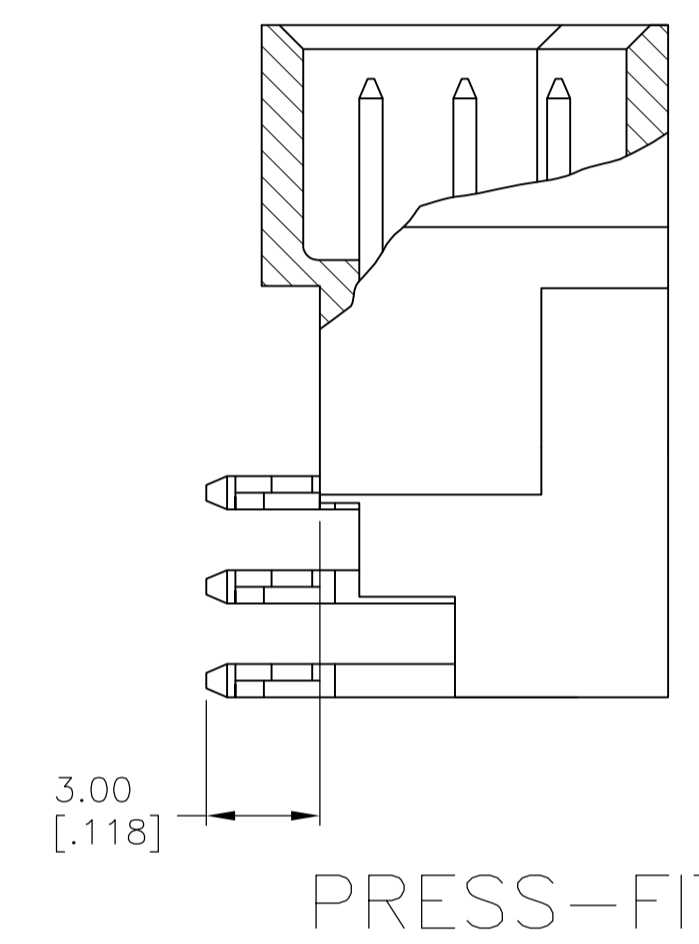


REVISONS		DATE	BY	APPV
NO.	DESCRIPTION			
S	REVISED PER ECO-14-009163	18JUN2014	AP	RP

- 1 HOUSING MATERIAL: GLASS-FILLED POLYMER.
- 2 POST MATERIAL: COPPER ALLOY.
- 3 NICKEL UNDERPLATE 1.27UM [.000050] ON ALL CONTACTS.
- 4 [PART NUMBER, DATE CODE] MARKED THIS APPROXIMATE AREA.
- 5 MARKING ON THIS SIDE.
- 6 RECOMMENDED HOLE SIZE FOR MANUAL APPLICATION OF SOLDER CONNECTORS INTO PC BOARD. REFERENCE APPLICATION SPEC 114-9014 FOR RECOMMENDED PLATED THROUGH HOLE SIZE FOR PRESS-FIT APPLICATIONS



SECTION Z-Z



PC BOARD LAYOUT

49	131.01	133.48	134.62	139.7	A-B-C	150	150													650907-5	5650915-5	5650907-5	
39	105.61	108.08	109.22	114.3	A-B-C	120	120														650906-5	5650914-5	5650906-5
31	85.29	87.76	88.9	94.0	A-C	64	96	216432-4	216432-1		650473-8	650945-3	536356-5	650945-5	5536356-5	5650945-5							
31	85.29	87.76	88.9	94.0	A-B-C	96		215605-4	215605-1			650473-3	650913-5	650473-5	5650913-5	5650943-5							
15	44.65	47.12	48.26	53.34	A-C	32	48	106276-4				650946-3	650978-5	650946-5	5650978-5	5650946-5							
15	44.65	47.12	48.26	53.34	A-B-C	48		216398-4	216398-1			650478-3	148020-5	650478-5	5148020-5	5650478-5							
												Press-fit	Wave Solder	Wave Solder	Wave Solder	Reflow 260°C	Reflow 260°C						
					ROWS LOADED	NO. OF LOADED POSITIONS	HOUSING SIZE	ROHS Compliant	ROHS Compliant	Non ROHS Compliant	ROHS Compliant	ROHS Compliant	ROHS Compliant	ROHS Compliant	ROHS Compliant	ROHS Compliant	ROHS Compliant	ROHS Compliant	ROHS Compliant	ROHS Compliant	ROHS Compliant	ROHS Compliant	
								DIN 41612 Level II	1.25um GOLD	DIN 41612 Level II	Gold Flash	DIN 41612 Level II	DIN 41612 Level II	DIN 41612 Level II	DIN 41612 Level II	DIN 41612 Level II	DIN 41612 Level II	DIN 41612 Level II	DIN 41612 Level II	DIN 41612 Level II	DIN 41612 Level II	DIN 41612 Level II	
								No Boardlock	No Boardlock	No Boardlock	No Boardlock	With Boardlock	No Boardlock	With Boardlock	No Boardlock	With Boardlock	NO Boardlock						

THIS DRAWING IS A CONTROLLED DOCUMENT. DATE: 2/13/91

DIMENSIONS: mm [INCHES]

TOLERANCES UNLESS OTHERWISE SPECIFIED:

- 0 PLC ± -
- 1 PLC ± -
- 2 PLC ± 0.13[.005]
- 3 PLC ± -
- 4 PLC ± -

ANGLES ± -

MATERIAL FINISH

THIS DRAWING IS A CONTROLLED DOCUMENT. DATE: 2/13/91

DRW: L. BRINER

CHK: D.C. RUBENDALL

APPV: D.C. RUBENDALL

NAME: ASSEMBLY, PIN EUROCARD, TYPE C, .104 SOLDER POST

SIZE: A1

CAGE CODE: 00779

DRAWING NO: 650473

RESTRICTED TO: -

CUSTOMER DRAWING

SCALE: 5:1

SHEET: 1 OF 1

REV: S

Mouser Electronics

Authorized Distributor

Click to View Pricing, Inventory, Delivery & Lifecycle Information:

[TE Connectivity:](#)

[5650907-5](#)