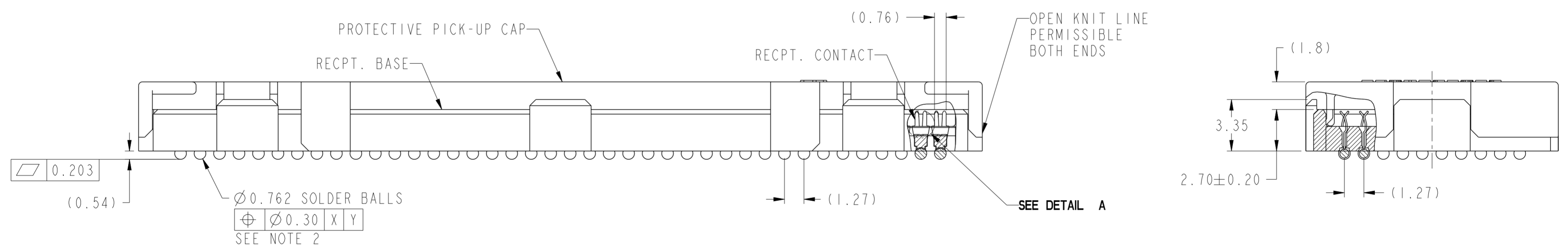
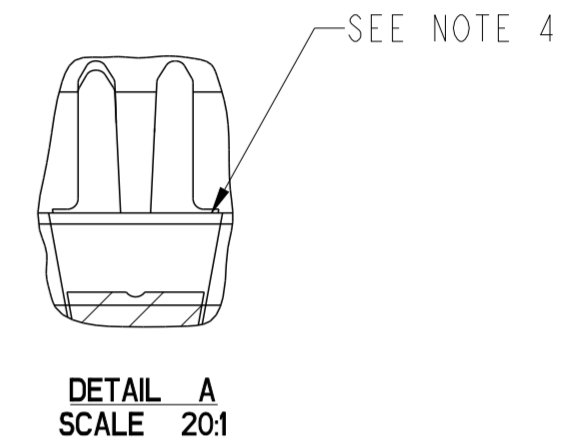
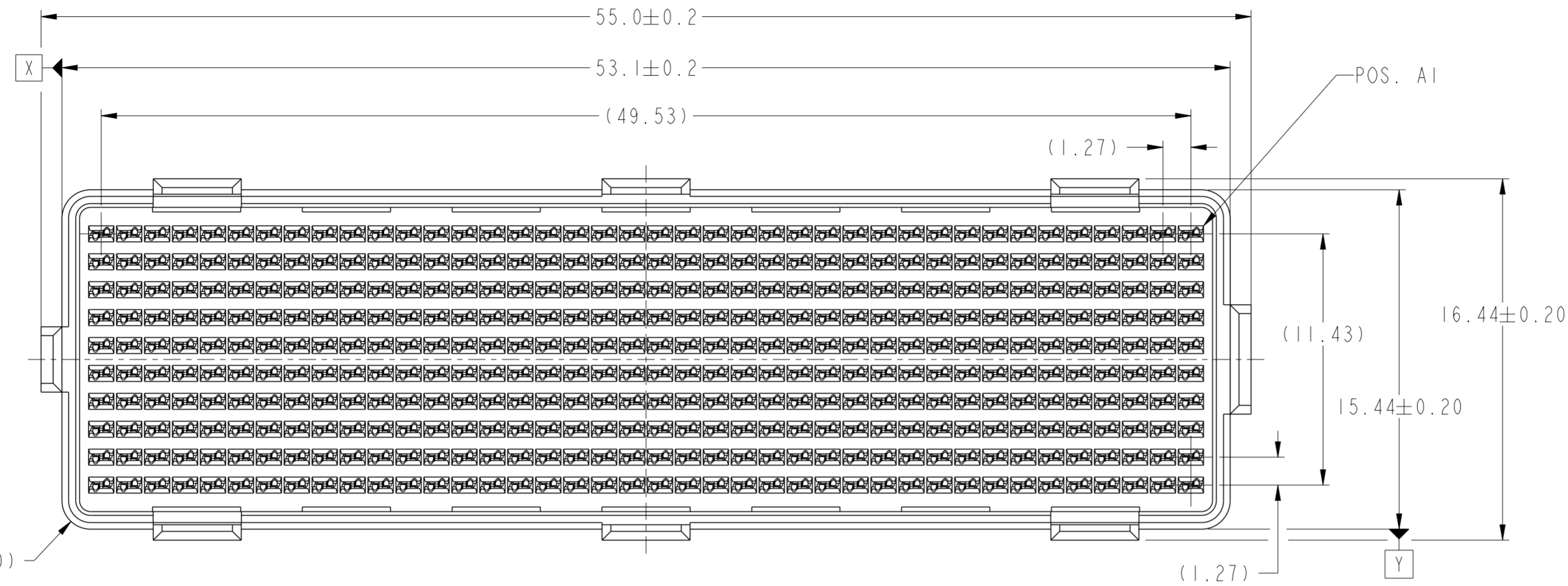
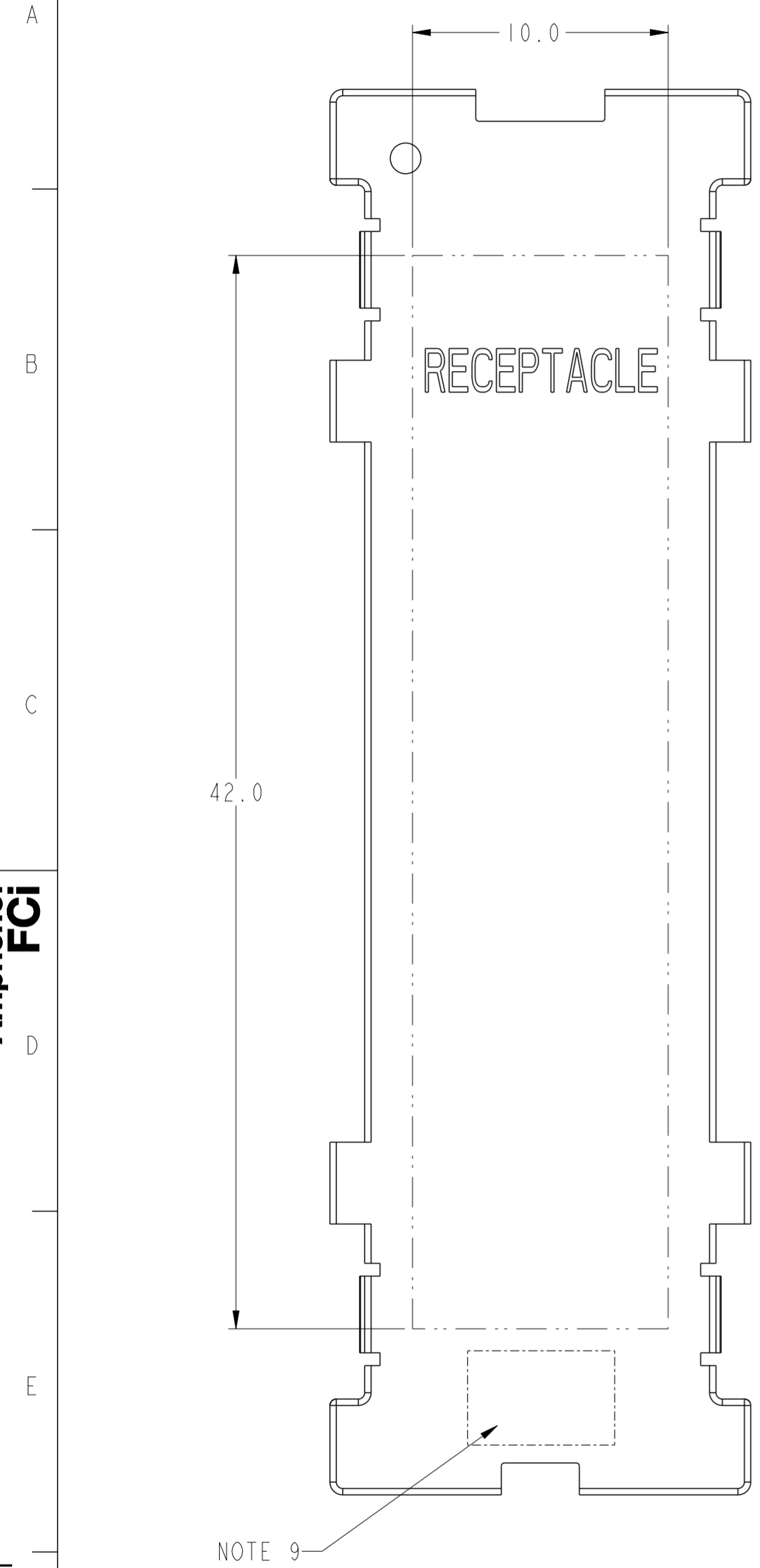


PRODUCT NUMBER
SEE TABLE-SHEET 3

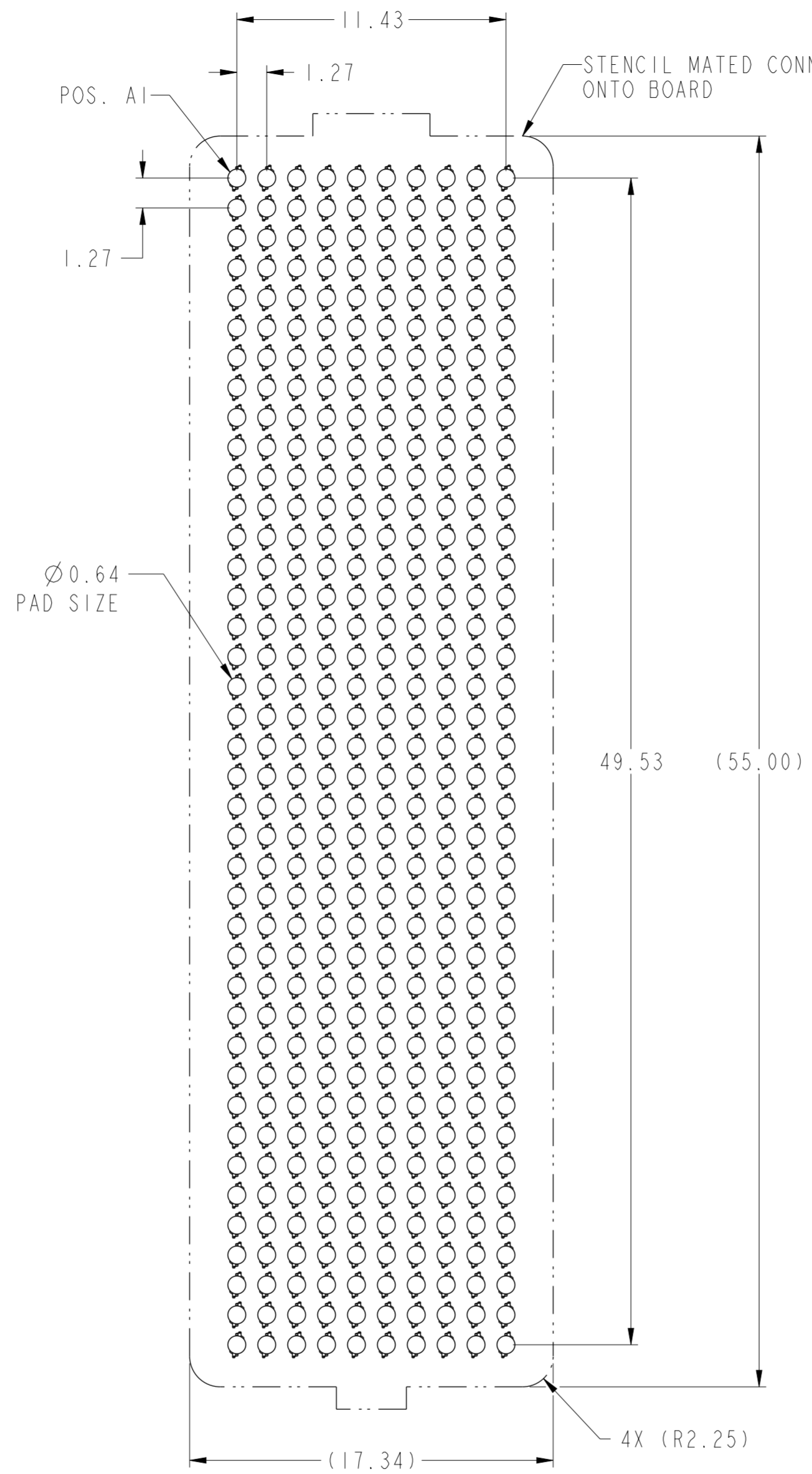


spec ref	-	dr	Chougale, Nand	2018/02/15	projection	MM	size	A2	scale	5:1
tolerance std	ASME Y14.5	eng	Robert Brown	2020/08/25			ecn no	ELX-V-38117-1	rel level Released	rev V
TOLERANCES UNLESS OTHERWISE SPECIFIED		chr	-	product family			MEG-ARRAY			
surface	linear 0.X ± 0.3 0.XX ± 0.13 0.XXX ± 0.050 angular 0° $\pm 2^\circ$	app	Matthew Emenhe	2020/08/25			cat. no.	4mm RECEPTACLE ASSEMBLY 10 X 40 = 400 POSITIONS		
Product - Customer Drw sheet 1 of 4										

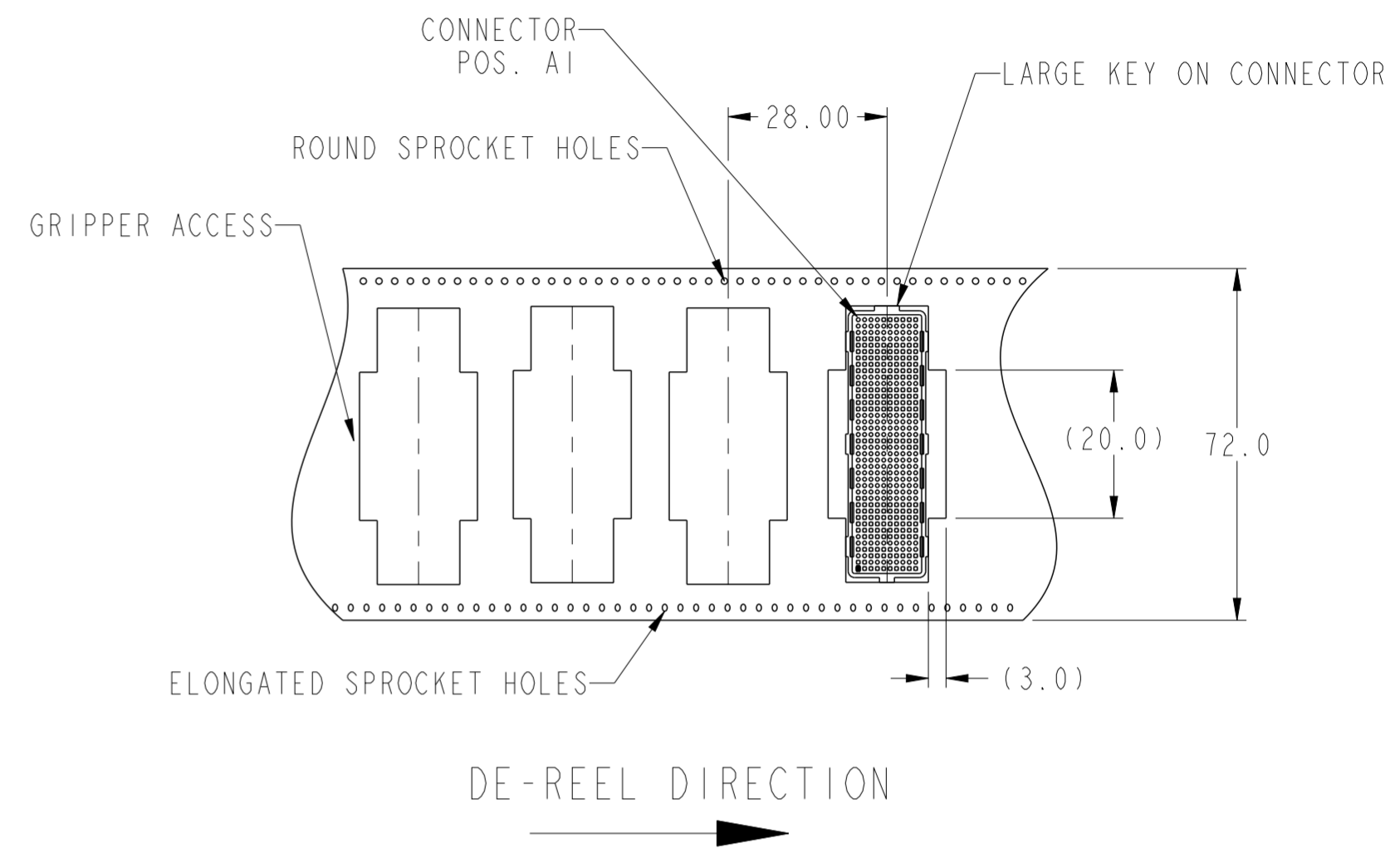
PRODUCT NUMBER
SEE TABLE-SHEET 3



FLAT AREA FOR PICK-UP CAP



BOARD PATTERN



TAPE & REEL PACKAGING
PER EIA 481-3

Amphenol
FCi

© 2016 AFci

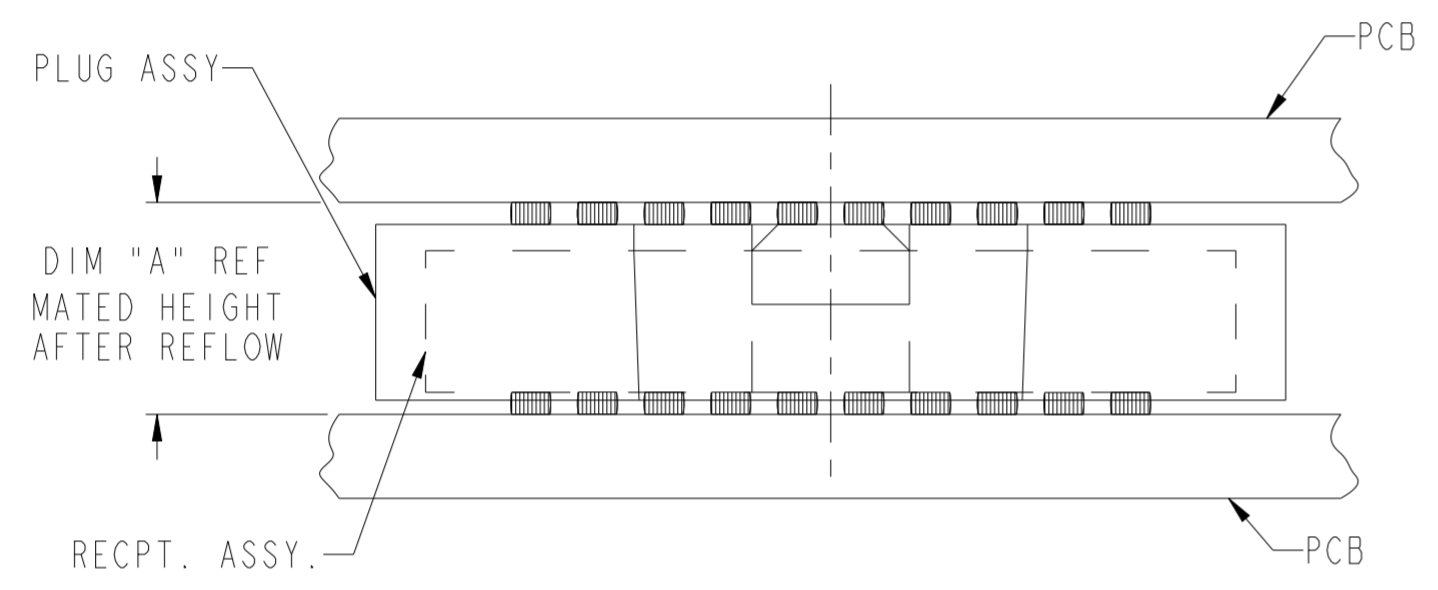
spec ref	-	dr	Chougale, Nand	2018/02/15	projection	MM	size	A2	scale	5:1			
tolerance std	ASME Y14.5	eng	Robert Brown	2020/08/25			ecn no	ELX-V-38117-1					
TOLERANCES UNLESS OTHERWISE SPECIFIED		chr	-	rel level			Released						
		appr	Matthew Emenhe	2020/08/25			product family	MEG-ARRAY					
surface	linear	0.X	±0.3		4mm RECEPTACLE ASSEMBLY 10 X 40 = 400 POSITIONS	dwg no 74221	rev V						
		0.XX	±0.13										
		0.XXX	±0.050										
ASME Y14.5	angular	0°	±2°	cat. no.	Product - Customer Drw		sheet 2 of 4						

PDS: Rev :V

STATUS:Released

Printed: Aug 25, 2020

PRODUCT NUMBER	PIC-UP CAP	CONTACT PLATING	SOLDER BALLS	NOTES
74221-001	YES	15μ" (0.38μm) Au	SnPb	-
74221-001LF	YES	15μ" (0.38μm) Au	SnAgCu LEAD FREE	7
74221-091	YES	15μ" (0.38μm) GXT	SnPb	-
74221-091LF	YES	15μ" (0.38μm) GXT	SnAgCu LEAD FREE	7
74221-101	YES	30μ" (0.76μm) Au	SnPb	-
74221-101LF	YES	30μ" (0.76μm) Au	SnAgCu LEAD FREE	7
74221-191	YES	30μ" (0.76μm) GXT	SnPb	-
74221-191LF	YES	30μ" (0.76μm) GXT	SnAgCu LEAD FREE	7
74221-201	YES	Au SPECIAL	SnPb	5
74221-201LF	YES	Au SPECIAL	SnAgCu LEAD FREE	5 AND 7
74221-291	YES	GXT SPECIAL	SnPb	5
74221-291LF	YES	GXT SPECIAL	SnAgCu LEAD FREE	5 AND 7
74221-A01	YES	30μ" (0.76μm) Au SPECIAL	SnPb	8
74221-A01LF	YES	30μ" (0.76μm) Au SPECIAL	SnAgCu LEAD FREE	7 AND 8
74221-101LTLF	YES	30μ" (0.76μm) Au	LOW TEMPERATURE	7
74221-191LTLF	YES	30μ" (0.76μm) GXT	LOW TEMPERATURE	7



MATED HEIGHT TABLE		
DIM. A	PLUG ASSY. P/N	RECPT. ASSY. P/N
4.0	84740	74221
10.0	84520	74221

MATED HEIGHT AFTER REFLOW IS BASED ON Ø 0.64mm PAD (METAL-DEFINED) AND 0.13mm SOLDER PASTE STENCIL THICKNESS. SEE NOTE 3

END VIEW - MATED CONNECTORS

Amphenol FCI

© 2016 AFCI

spec ref	-	dr	Chougale, Nand	2018/02/15	projection	MM	size	A2	scale	3:1
tolerance std	ASME Y14.5	eng	Robert Brown	2020/08/25			ecn no	ELX-V-38117-1		
		chr	-	appr			Matthew Emenhe	2020/08/25	product family	MEG-ARRAY
surface	linear	0.X	±0.3		4mm RECEPTACLE ASSEMBLY		cat. no.	74221	rev	V
		0.XX	±0.13		10 X 40 = 400 POSITIONS					
		0.XXX	±0.050							
ASME Y14.5	angular	0°	±2°			Product - Customer Drw		sheet 3 of 4		

PDS: Rev :V


STATUS:Released

Printed: Aug 25, 2020

PRODUCT NUMBER
SEE TABLE-SHEET 3


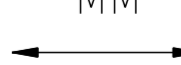

NOTES:

- ① MATERIAL:
HOUSING: LCP, MEETS UL94 V-0 OR BETTER.
CONTACT: COPPER ALLOY

PLATING:
CONTACT: (SEE TABLE ON SHEET 3)
SOLDER BALL: (SEE TABLE ON SHEET 3)
EUTECTIC SnPb OR LEAD FREE
95.5Sn/4Ag/0.5Cu
- ② SOLDER BALLS WILL NOT HAVE PERFECT SPHERICAL SHAPES DUE TO REFLOW ATTACHMENT.
- ③ MATED HEIGHT EFFECTED BY CUSTOMER'S PCB PAD SIZE, PLATING SOLDER REFLOW PROFILE & SOLDER PASTE.
- ④ NO TIN/LEAD OR FLUX ABOVE TERMINAL SHOULDER.
- ⑤ PLATING FOR -2XX SERIES DASH NOS. MEETS THE REQUIREMENTS OF GR-1217-CORE, CENTRAL OFFICE ENVIRONMENT, (25 YEAR LIFE EXPECTANCY).
- ⑥ FOR PROPER APPLICATION FOLLOW AFCI APPLICATION SPECIFICATION GS-20-033. LEAD FREE SOLDER BALLS WILL NOT SOLDER PROPERLY IN A LEADED SOLDER PROCESS DUE TO A HIGHER REFLOW TEMPERATURE. LEAD FREE PRODUCT IS THEREFORE NOT BACKWARDS COMPATIBLE WITH LEADED OR SOME SOLDERING APPLICATIONS. REFERENCE AFCI APPLICATION SPECIFICATION.
- ⑦ THIS PRODUCT MEETS EUROPEAN UNION DIRECTIVES AND OTHER COUNTRY REGULATIONS AS DESCRIBED IN GS-47-0004 PRODUCT MEETING THIS DIRECTIVE IS IDENTIFIED IN THE LOT CODE NUMBER MARKED ON EACH PART BY HAVING AN "X" IN THE SEVENTH CHARACTER POSITION.
- ⑧ 74221-A01, -A01LF HAVE CUSTOMER SPECIAL PLATING.
- ⑨ CURRENT COMPANY LOGO TO BE VISIBLE IN APPROXIMATE AREA SHOWN.
10. A  SYMBOL WILL BE NEXT TO ANY DIMENSION, NEW VIEW, OR NOTE WHICH HAS BEEN MODIFIED WITH THE CURRENT DRAWING REVISION.
11. -301, -301LF, -401, -401LF, -501, -501LF ARE OBOSOLETE AND REMOVED FROM THE PRODUCT NUMBER TABLE.

Amphenol
FCi

© 2016 AFCI

spec ref	-	dr	Chougale, Nand	2018/02/15	projection	MM	size	A2	scale	3:1
tolerance std	ASME Y14.5	eng	Robert Brown	2020/08/25			ecn no	ELX-V-38117-1		
	TOLERANCES UNLESS OTHERWISE SPECIFIED	chr	-	rel level			Released			
		appr	Matthew Emenhe	2020/08/25			product family	MEG-ARRAY		
surface	linear	0.X	±0.3		title 4mm RECEPTACLE ASSEMBLY 10 X 40 = 400 POSITIONS	dwg no 74221	rev V			
		0.XX	±0.13					cat. no.	Product - Customer Drw	sheet 4 of 4
		0.XXX	±0.050							
ASME Y14.5	angular	0°	±2°							

PDS: Rev :V

STATUS:Released

Printed: Aug 25, 2020

Mouser Electronics

Authorized Distributor

Click to View Pricing, Inventory, Delivery & Lifecycle Information:

[FCI / Amphenol:](#)

[74221-291LF](#) [74221-091](#) [74221-291](#) [74221-191](#) [74221-191LF](#)