

SMD 930.5 MHz SAW FILTER



3.8 x 3.8 x 1.5 mm

AFS930S3

MSL level: 1



RoHS
Compliant

FEATURES:

- Small package
- Low Insertion Loss
- Excellent Attenuation Bandwidth

APPLICATIONS:

- Radio
- Wireless Remote Controller

ELECTRICAL SPECIFICATIONS:

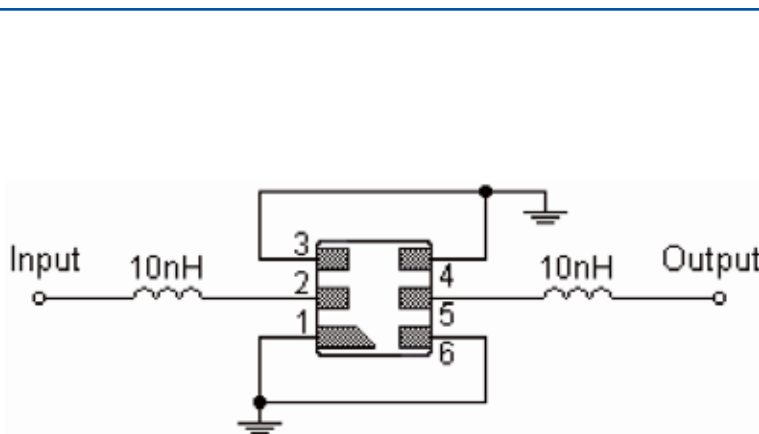
Maximum Ratings

Item	Value
Operating Temperature Range	-40°C to +85°C
Storage Temperature Range	-40°C to +85°C
Permissible DC Voltage	15V DC max.
Maximum Input Power	0 dBm

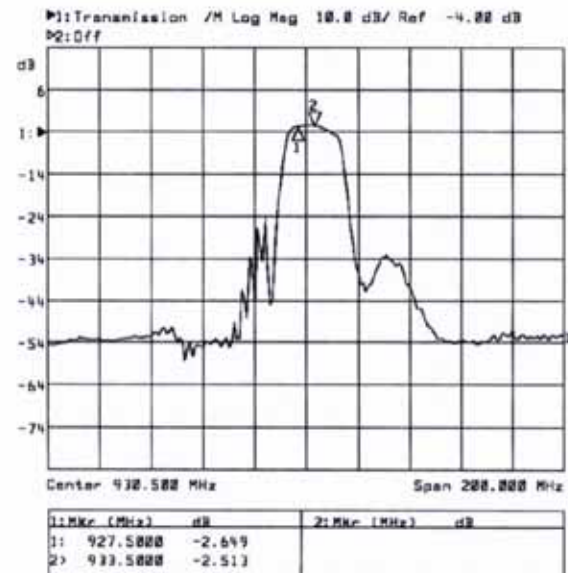
Electrical Characteristics

Parameters	Minimum	Typical	Maximum	Units	Notes
Center Frequency (f_0)	-----	930.50	-----	MHz	
Pass Band	-----	±2	-----	MHz	
Insertion Loss	-----	2.7	4.5	dB	928.5 ~ 932.5MHz
Amplitude Ripple	-----	-----	1.0	dB	928.5 ~ 932.5MHz
Absolute Attenuation	40	50	-----	dB	830.5 ~ 891.7
	23	28	-----		950.5 ~ 969.3
	28	35	-----		969.3 ~ 990.5
	40	50	-----		990.5 ~ 1030.5
Temperature Coefficient of Frequency	-----	-30	-----	ppm/°C	
Terminating Source Impedance	-----	50//10nH	-----	Ω	
Terminating Load Impedance	-----	50//10nH	-----	Ω	

TEST CIRCUIT



FREQUENCY CHARACTERISTICS



SMD 930.5 MHz SAW FILTER

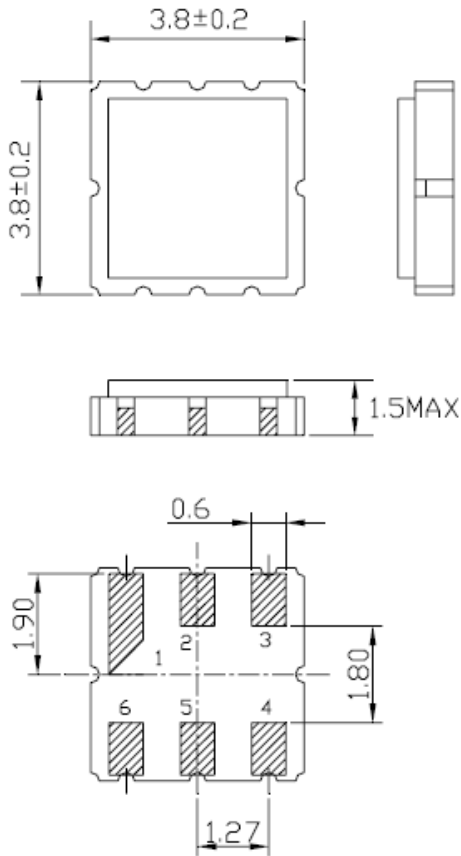


3.8 x 3.8 x 1.5 mm

AFS930S3



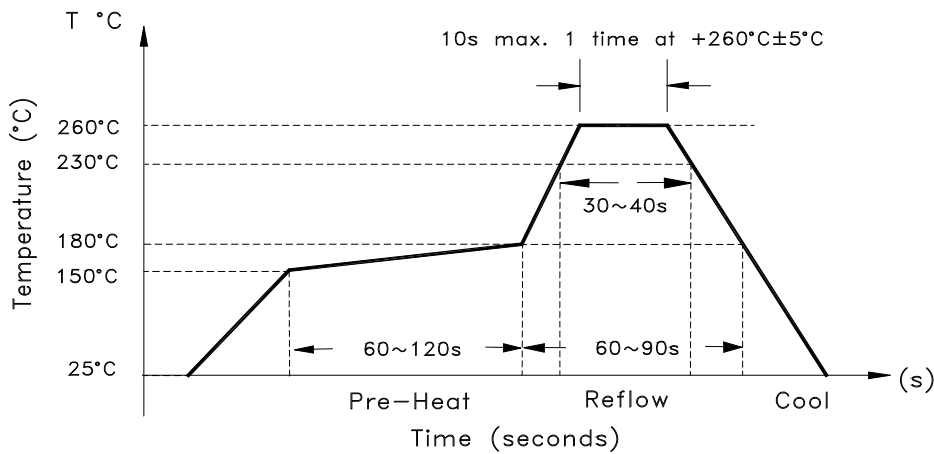
OUTLINE DRAWING:



Pin No.	Function
Pin 2	Input
Pin 5	Output
Other	Ground

Dimensions: mm

REFLOW PROFILE:



SMD 930.5 MHz SAW FILTER



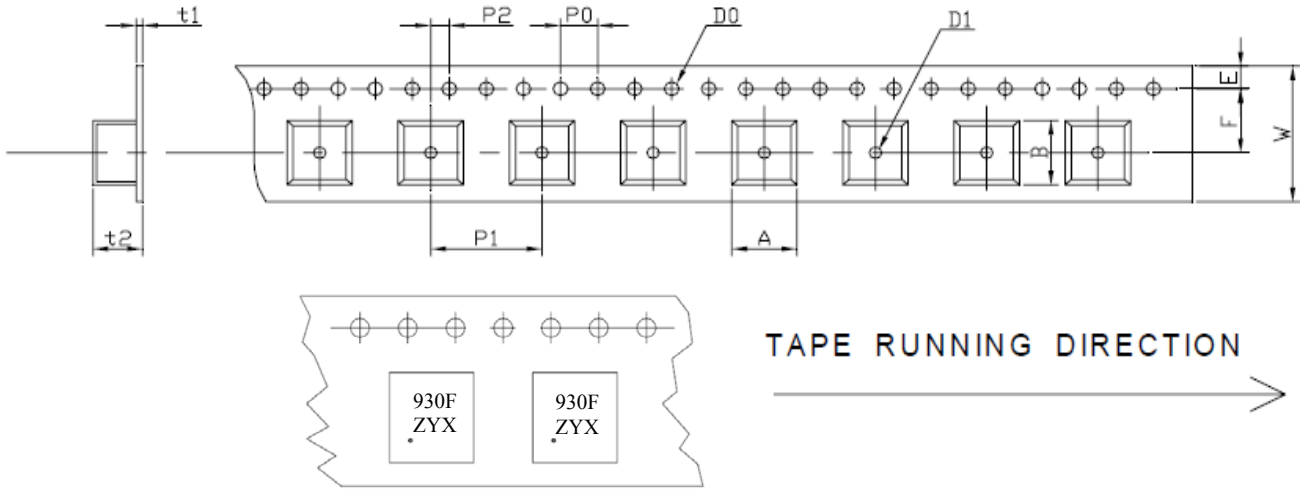
3.8 x 3.8 x 1.5 mm



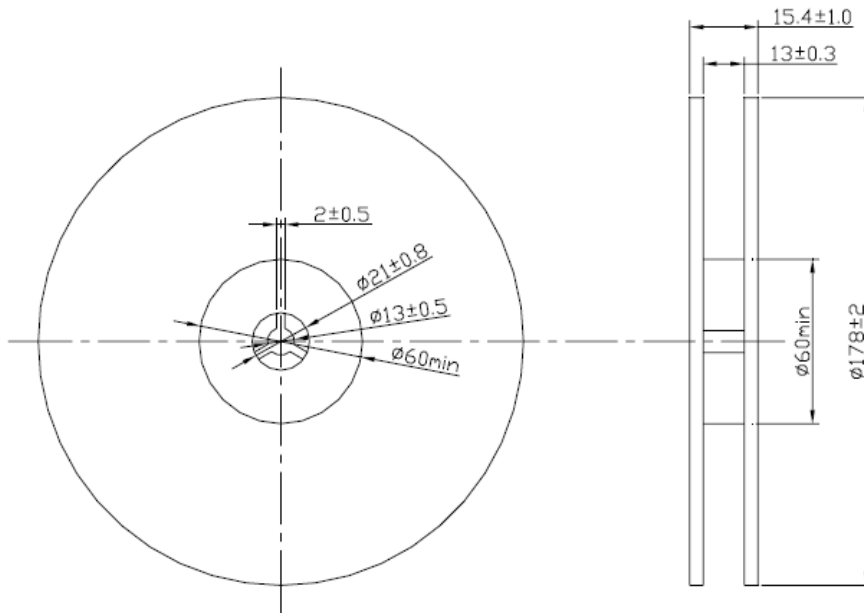
RoHS
Compliant

AFS930S3

TAPE & REEL: 1,000pcs/reel



W	F	E	P0	P1	P2	D0	D1	t1	t2	A	B
12.0 ± 0.3	5.5 ± 0.1	1.75 ± 0.1	4.0 ± 0.2	8.0 ± 0.1	2.0 ± 0.2	Φ1.5 ± 0.1	Φ1.5 ± 0.25	0.31 max.	1.95 max.	4.1 max.	4.1 max.



Dimensions: mm

ATTENTION: Abracon Corporation's products are COTS – Commercial-Off-The-Shelf products; suitable for Commercial, Industrial and, where designated, Automotive Applications. Abracon's products are not specifically designed for Military, Aviation, Aerospace, Life-dependant Medical applications or any application requiring high reliability where component failure could result in loss of life and/or property. For applications requiring high reliability and/or presenting an extreme operating environment, written consent and authorization from Abracon Corporation is required. Please contact Abracon Corporation for more information.

ABRACON IS
ISO9001:2008
CERTIFIED



Visit www.abracon.com for Terms & Conditions of Sale
30332 Esperanza, Rancho Santa Margarita, California 92688
tel 949-546-8000 | fax 949-546-8001 | www.abracon.com

Revised: 01.11.12

Mouser Electronics

Authorized Distributor

Click to View Pricing, Inventory, Delivery & Lifecycle Information:

[ABRACON:](#)

[AFS930S3-T](#)