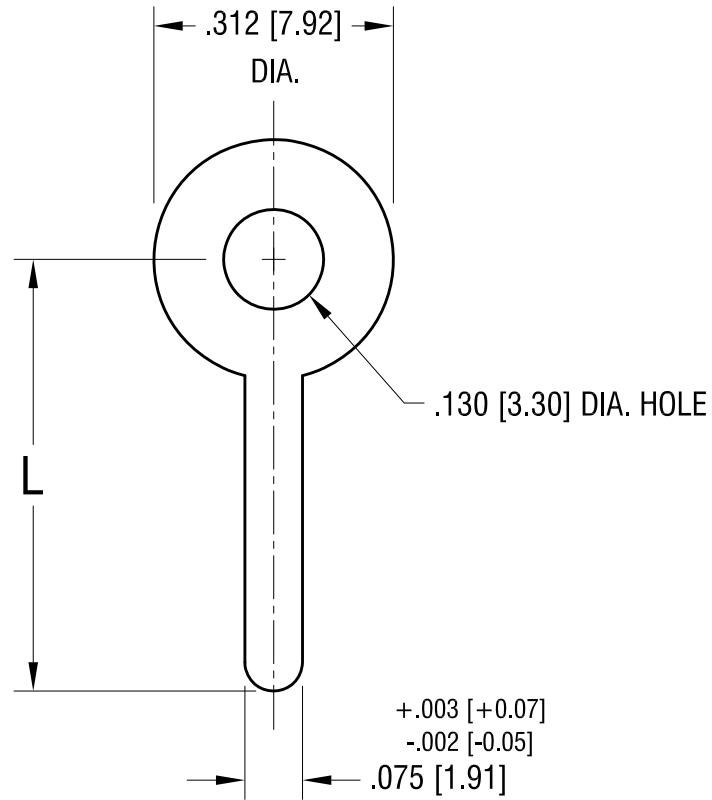


THIS DOCUMENT IS THE PROPERTY OF
KEYSTONE ELECTRONICS CORP. AND
SHALL NOT BE REPRODUCED, DISTRIBUTED
OR USED AS A BASIS FOR MANUFACTURE
WITHOUT PRIOR WRITTEN PERMISSION
FROM KEYSTONE ELECTRONICS CORP.



PART NO.	'L' DIM.
4000	.500 [12.70]
4001	.562 [14.27]
4002	.750 [19.05]
4003	1.000 [25.40]

DATE	DESCRIPTION	REV.
10.16.12	CHANGE AS PER ECN 12-152	D
6.24.09	CHANGE AS PER ECN 09-078	C
1.3.01	CHANGE AS PER ECN 04-054	B
4.24.96	CHANGE AS PER ECR 96-023	A

KEYSTONE ELECTRONICS CORP.
www.keyelco.com • ASTORIA, N.Y. 11105-2017 • Tel (718) 956-8900

PART NAME		TERMINAL LUG	
MATERIAL		.020 [0.50] TH'K BRASS	
FINISH	DRN BY	DATE	
MATTE TIN PLATE	BOONE	9.2.82	
	APP'D	SCALE	
	LN	4X	
TOLERANCES	INCH [MM]	CODE	DWG NO.
DECIMAL	± .005 [± 0.15]	C	4000-4003
ANGULAR	± 1°		
UNLESS OTHERWISE SPECIFIED			

Mouser Electronics

Authorized Distributor

Click to View Pricing, Inventory, Delivery & Lifecycle Information:

[Keystone Electronics:](#)

[4000](#)