

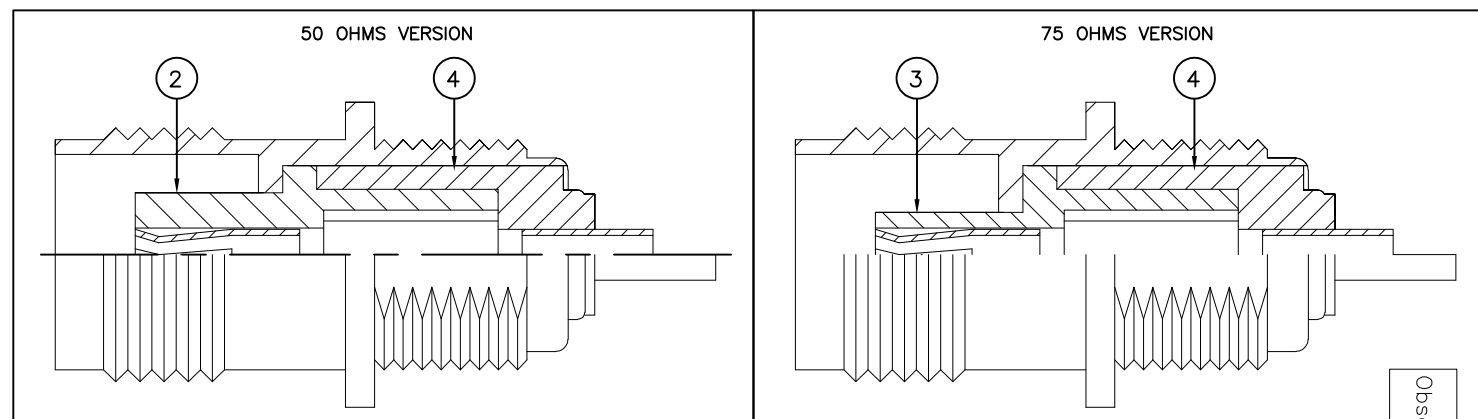
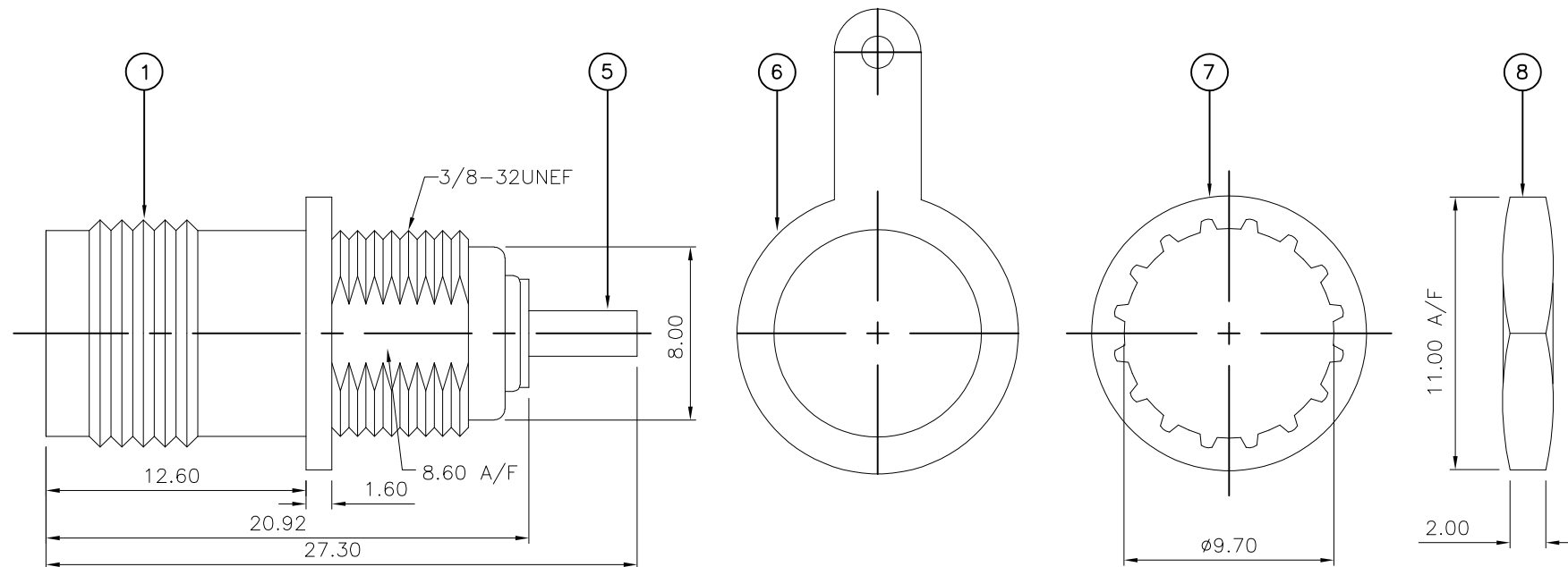
THIS DRAWING IS UNPUBLISHED. RELEASED FOR PUBLICATION AUGUST, 2006.

© COPYRIGHT 2006 By - ALL RIGHTS RESERVED.

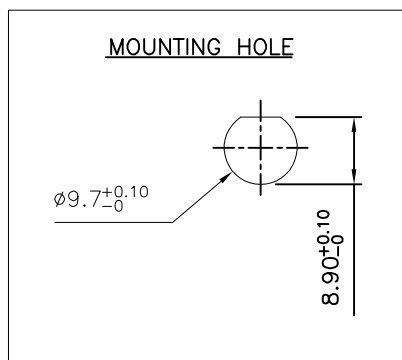
LOC	DIST	P	LTR	DESCRIPTION	DATE	DWN	APVD
E	B		B1	REVISED PER ECO-11-005033	01APR11	RK	HMR
			C	REVISED PER ECO-12-009395	17MAY12	TITAN	MARTIN

NOTES:

- 1 PACK IN ACCORDANCE WITH AMP SPEC 107-3275
- 2 100 TRAY PACK IN ACCORDANCE WITH AMP SPEC 107-3275
- 3 Au PLATING
- 4 Ni PLATING
- 5 FOR TECHNICAL DATA REFER TO YOUR LOCAL TE CONNECTIVITY SALES OFFICE
- 6 ALL DIMENSIONS ARE NOMINAL FOR REFERENCE ONLY UNLESS OTHERWISE STATED



QTY	REV	REV	REV	MATERIAL	DESCRIPTION	ITEM
1	1	1	1	STEEL	HEXAGONAL NUT	8
1	1	1	1	STEEL	LOCKWASHER	7
1	1	1	1	BRASS	SOLDER TAG	6
1	1	1	1	PHOSPHOR BRONZE	CONTACT	5
1	1	1	1	PTFE	INSULATION	4
1	1	-	-	PTFE	INSULATION	3
-	-	1	1	PTFE	INSULATION	2
1	1	1	1	ZINC	BODY	1
5--3	5--2	5--1	5--0			
1	1	1	1			



THIS DRAWING IS A CONTROLLED DOCUMENT.		DWN RITA ZUO 11 Mar 09	TE Connectivity	
DIMENSIONS: mm		CHK ANSON MA 11 Mar 09		
TOLERANCES UNLESS OTHERWISE SPECIFIED:		APVD BOB ZHAO 11 Mar 09	NAME	
0 PLC ± - 1 PLC ± - 2 PLC ± - 3 PLC ± - 4 PLC ± - ANGLES ± -		PRODUCT SPEC 108-112000	TNC BULKHEAD SOCKET FRONT MOUNT	
MATERIAL SEE TABLE		FINISH -	50 & 75 OHM	
		WEIGHT -	SIZE A3	CAGE CODE 00779
			DRAWING NO C-1814804	RESTRICTED TO -
		CUSTOMER DRAWING	SCALE NTS	SHEET 1 OF 1
			REV C	

# Mouser Electronics

Authorized Distributor

Click to View Pricing, Inventory, Delivery & Lifecycle Information:

[TE Connectivity:](#)

[5-1814804-3](#)