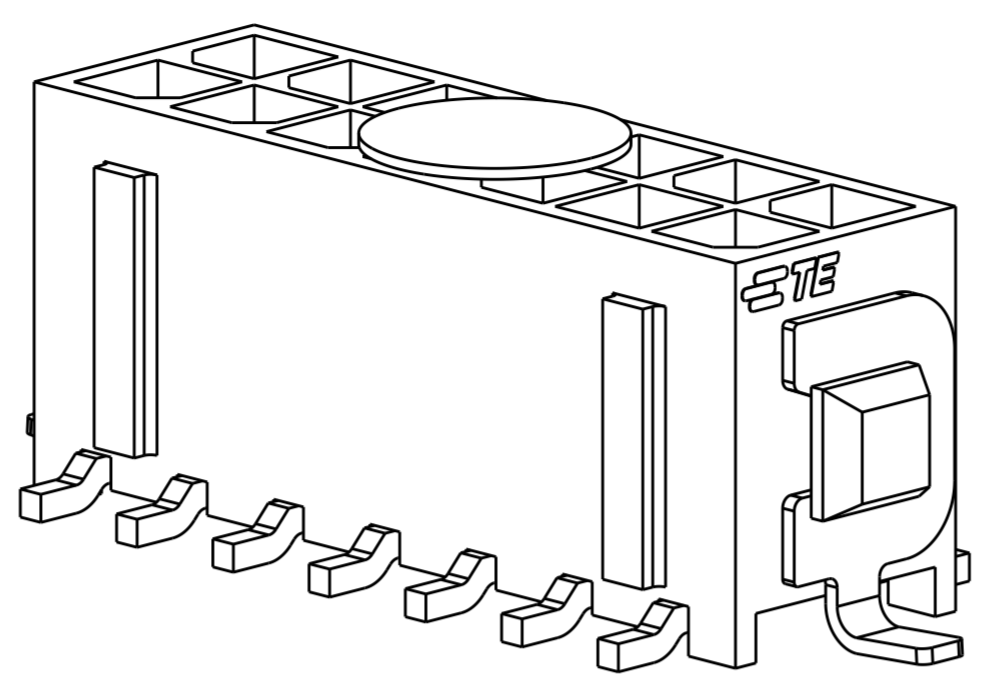
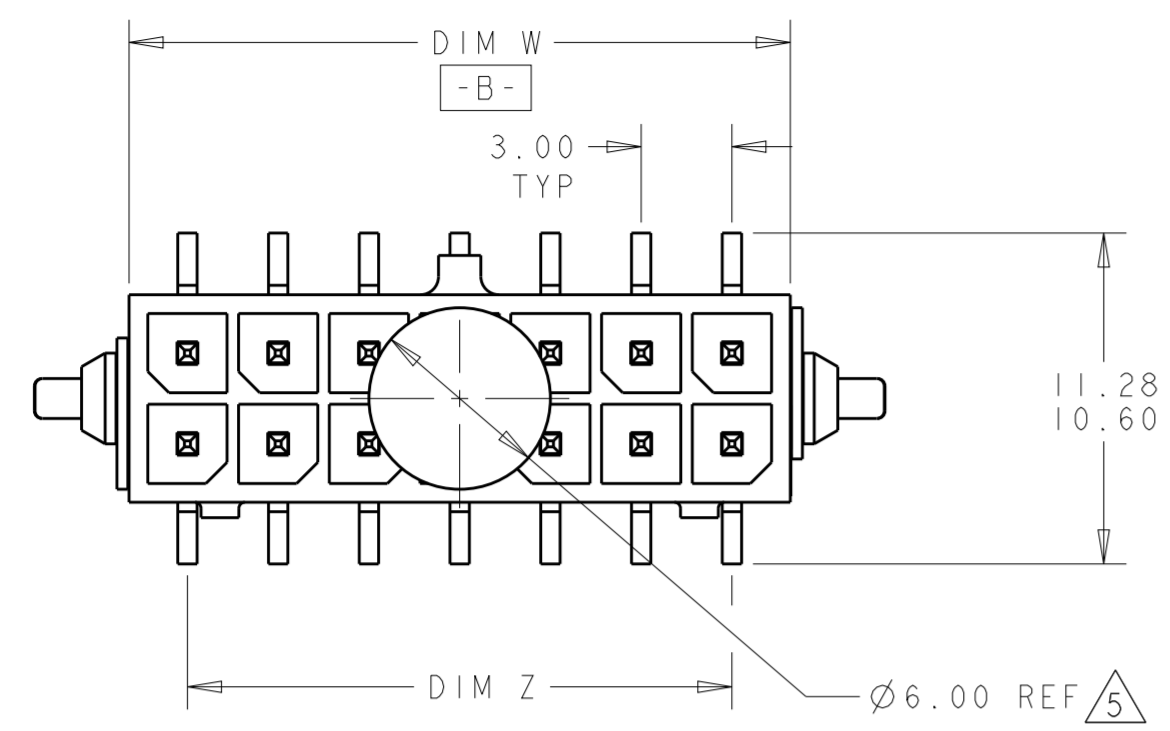


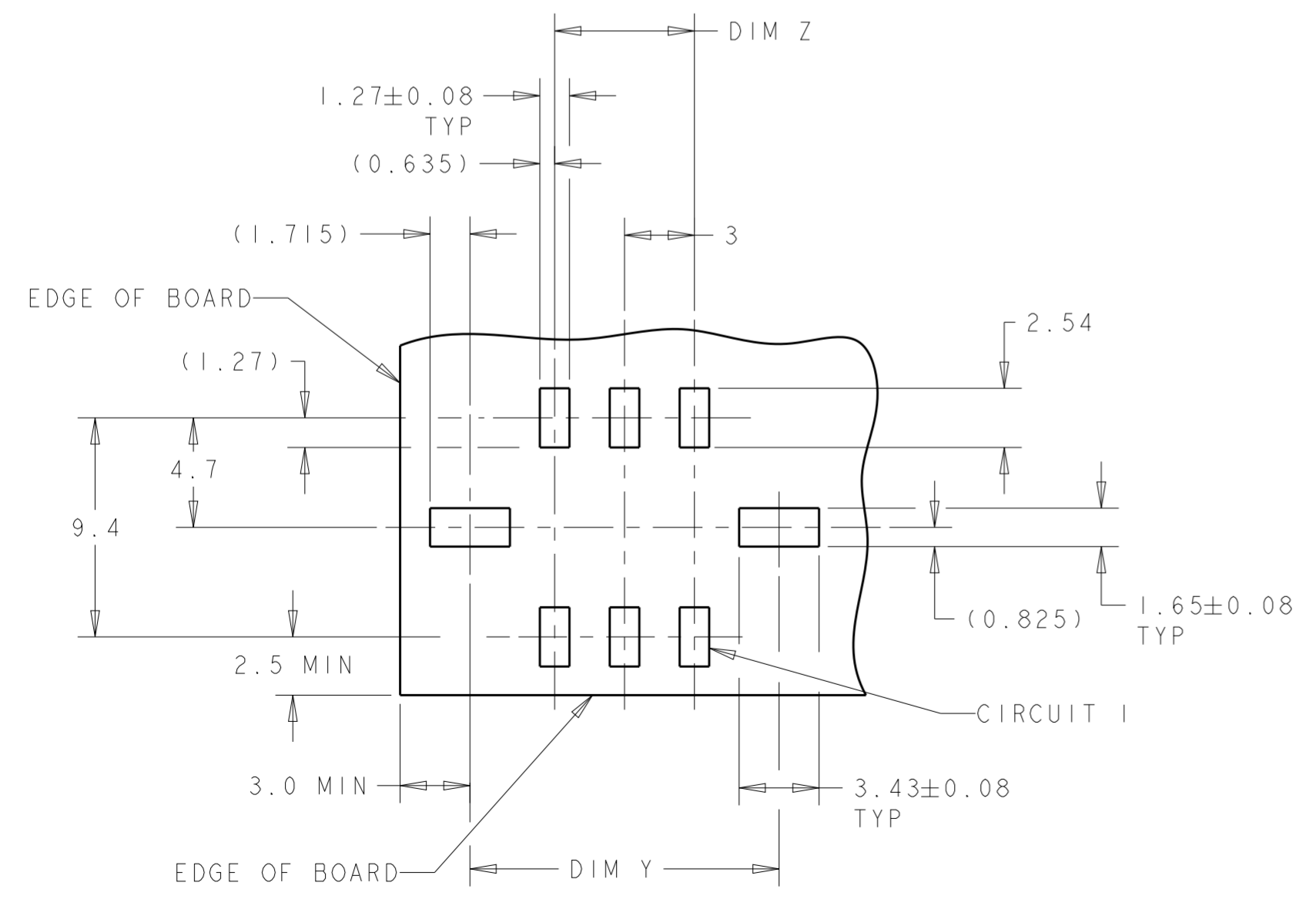
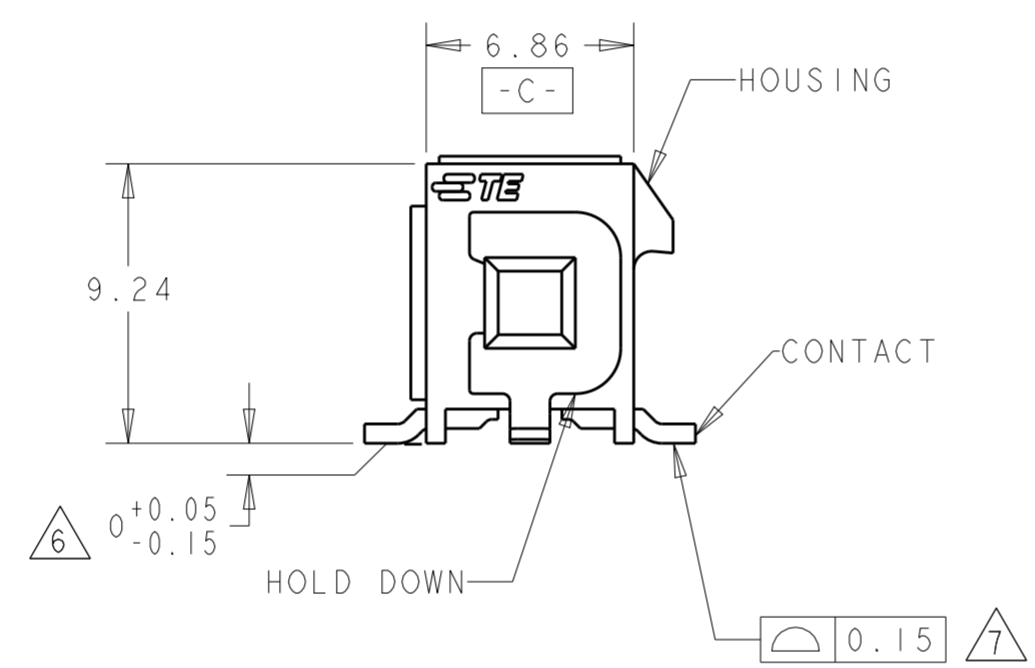
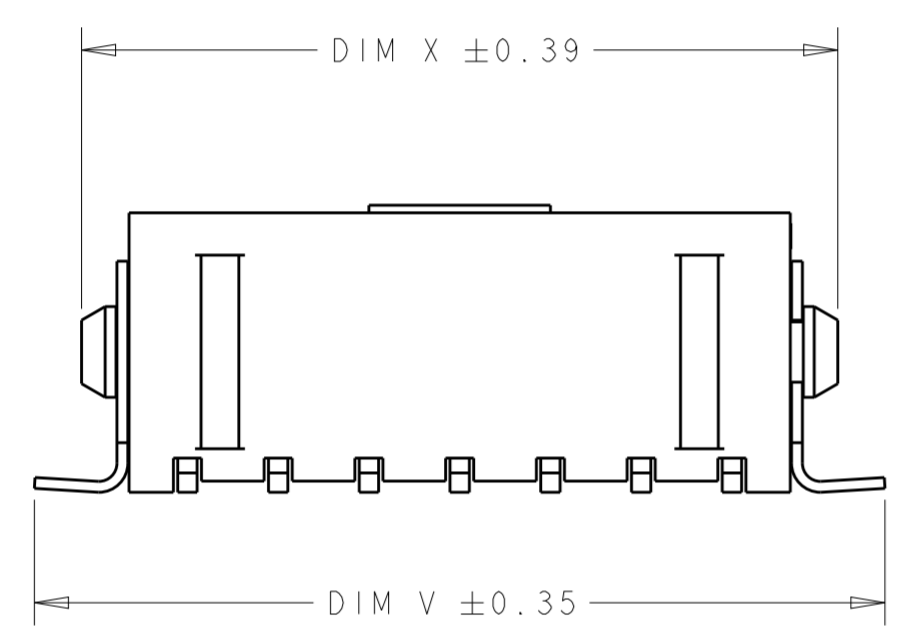
THIS DRAWING IS UNPUBLISHED. RELEASED FOR PUBLICATION 20  
 © COPYRIGHT 20 BY - ALL RIGHTS RESERVED.

REVISIONS					
P	LTR	DESCRIPTION	DATE	DWN	APVD
J2		REVISED PER ECR-17-017609	04DEC2017	JB	DZ
J3		ECO-19-006502	30APR2019	AP	WS



SCALE 6:1

- 1 MATERIAL:  
CONTACTS - BRASS.  
HOUSING - UL 94V-0 RATED HIGH TEMP NYLON, COLOR; BLACK.  
HOLD DOWNS - PHOSPHOR BRONZE.
- 2 FINISH:  
CONTACTS - 2.54µm MINIMUM TIN-LEAD OVER 1.27µm MINIMUM NICKEL.  
HOLD DOWNS - 2.54µm TIN LEAD.
- 4 RECOMMENDED PC BOARD THICKNESS OF 1.57.
- 5 KAPTON VACUUM PICK UP BUTTON.
- 6 DIMENSION APPLIES TO SOLDERTAIL SURFACES AND STANDOFF SURFACES.
- 7 ALL SOLDERTAILS AND HOLD DOWNS.
- 8 FINISH:  
CONTACTS - 2.54µm MINIMUM MATTE TIN OVER 1.27µm MINIMUM NICKEL.  
HOLD DOWNS - 2.54µm MATTE TIN.



RECOMMENDED PCB LAYOUT 4  
(COMPONENT SIDE)

43.04	36.86	40.27	33.00	40.00	24	5-794636-4
40.04	33.86	37.27	30.00	37.00	22	5-794636-2
37.04	30.86	34.27	27.00	34.00	20	5-794636-0
34.04	27.86	31.27	24.00	31.00	18	4-794636-8
31.04	24.86	28.27	21.00	28.00	16	4-794636-6
28.04	21.86	25.27	18.00	25.00	14	4-794636-4
25.04	18.86	22.27	15.00	22.00	12	4-794636-2
22.04	15.86	19.27	12.00	19.00	10	4-794636-0
19.04	12.86	16.27	9.00	16.00	8	3-794636-8
16.04	9.86	13.27	6.00	13.00	6	3-794636-6
13.04	6.86	10.27	3.00	10.00	4	3-794636-4
10.04	3.86	7.27	-	7.00	2	3-794636-2
43.04	36.86	40.27	33.00	40.00	24	2-794636-4
40.04	33.86	37.27	30.00	37.00	22	2-794636-2
37.04	30.86	34.27	27.00	34.00	20	2-794636-0
34.04	27.86	31.27	24.00	31.00	18	+794636-8
31.04	24.86	28.27	21.00	28.00	16	+794636-6
28.04	21.86	25.27	18.00	25.00	14	+794636-4
25.04	18.86	22.27	15.00	22.00	12	+794636-2
22.04	15.86	19.27	12.00	19.00	10	+794636-0
19.04	12.86	16.27	9.00	16.00	8	-794636-8
16.04	9.86	13.27	6.00	13.00	6	-794636-6
13.04	6.86	10.27	3.00	10.00	4	-794636-4
10.04	3.86	7.27	-	7.00	2	-794636-2

SUPERSEDED BY 5-794636-4  
 SUPERSEDED BY 5-794636-2  
 SUPERSEDED BY 5-794636-0  
 SUPERSEDED BY 4-794636-8  
 SUPERSEDED BY 4-794636-6  
 SUPERSEDED BY 4-794636-4  
 SUPERSEDED BY 4-794636-2  
 SUPERSEDED BY 4-794636-0  
 SUPERSEDED BY 3-794636-8  
 SUPERSEDED BY 3-794636-6  
 SUPERSEDED BY 3-794636-4  
 SUPERSEDED BY 3-794636-2

THIS DRAWING IS A CONTROLLED DOCUMENT.

DWN S. HOOVER 23-MAR-2005  
 CHK C. JONES 23-MAR-2005  
 APVD C. JONES 23-MAR-2005

**STE** TE Connectivity

NAME SURFACE MOUNT, VERTICAL, MECHANICAL HOLD DOWN, ASSEMBLY, TIN HEADER, DUAL ROW, MICRO MATE-N-LOK (TM)

PRODUCT SPEC 108-1836  
 APPLICATION SPEC 114-13000

SIZE A2 CAGE CODE 0779 DRAWING NO. C-794636  
 WEIGHT -

CUSTOMER DRAWING SCALE 4:1 SHEET 1 OF 1 REV J3