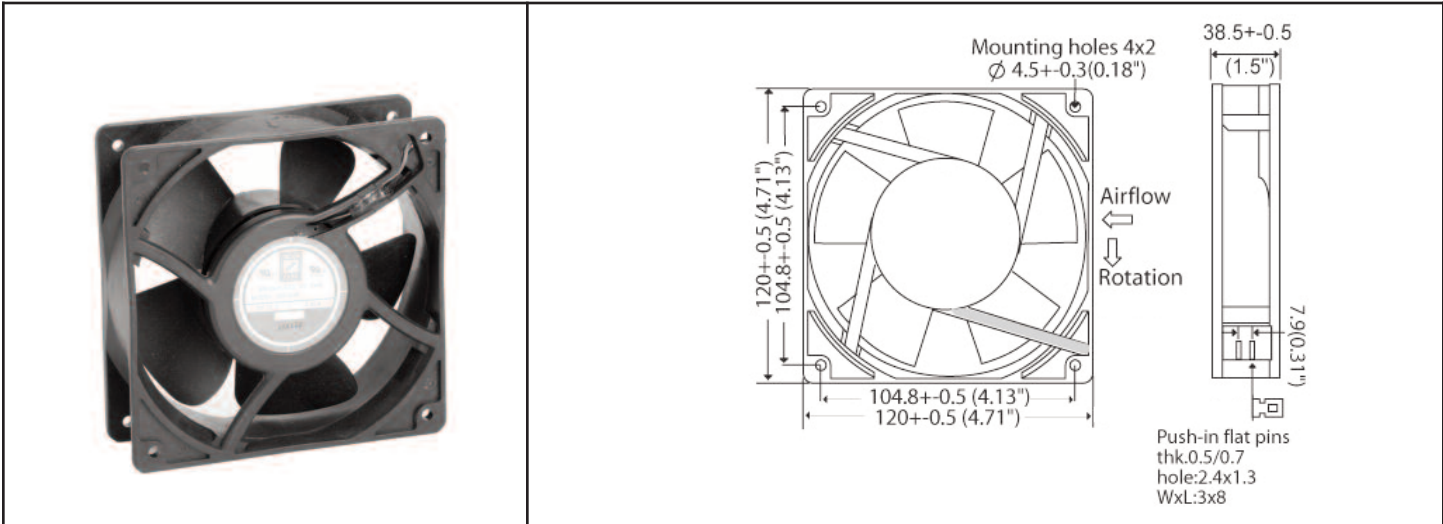


# OD1238 HTB Series



DC Fan - High Speed  
120x38mm (4.7"x 1.5")



Frame & Impeller	PBT, UL94V-0 plastic	<b>Available Options</b> Tachometer Alarm PWM Thermal control IP55 Sleeve Bearing Ultra High/Ultra Low speed  Weight: ~0.69 lbs  m0	
Connection	Terminals		
Motor	Brushless DC, auto restart, IC protected		
Bearing System	Dual ball bearing		
Insulation Resistance	10M ohm between leadwire and frame (500VDC)		
Dielectric Strength	1 minute at 500 VAC, max leakage < 500 mA		
Temperature Range	-15C ~ +65C		
Life (L10)	65,000 hours (45C)		
Storage Temperature	-40C ~ +80C		

Model Number	Speed (RPM)	Airflow (CFM)	Noise (dB)	Volts DC	Voltage Range (VDC)	Amps	Max. Static Pressure ("H2O)
OD1238-12HTB	3300	90	42	12	8 ~ 13.8	0.50	0.38
OD1238-24HTB	3300	90	42	24	15 ~ 26	0.23	0.38
OD1238-48HTB	3300	90	42	48	28 ~ 55	0.10	0.38

# Mouser Electronics

Authorized Distributor

Click to View Pricing, Inventory, Delivery & Lifecycle Information:

## Orion Fans:

[OD1238PT-12HTB](#) [OD1238PT-24HTB](#) [OD1238PT-48HTB](#) [OD1238-24HTS](#)