



Features

- Completely sealed and weatherproof construction
- Modular in design, allowing for second pair addition to the ground mounting stud
- Fail-safe switch grade shorting mechanism
- Modular design fits most Network Interface Devices



This series is currently available, but not recommended for new designs. The 155G Series (2378-35-G) is preferred.

-  Listed per UL 497 (File: E53117)

125-EW/EW-R Series – Sealed Gas Tube Station Protector

Bourns® 125-EW/EW-R Series type station protectors are designed to provide primary protection on conductors serving subscriber premises. This Series provides protection against lightning surges, power-cross conditions and ground potential rises.

The protector element for each line consists of a heavy-duty-rated, two-element gas tube, an external backup gap assembly and a unique switch grade shorting mechanism. Two gas tubes (tip and ring) are sealed in a fire-resistant plastic body with plated #10 brass studs, washers and hex nuts for connection to one subscriber pair. A plated brass ground connector is slotted to fit the ground connection points of station protector housings and network interface devices.

Characteristics

Test Methods per IEEE C62.31, UL 497, RUS PE-80, Telcordia GR 1361.

	Model 125-EW-R*	Model 125-EW*1
DC Breakdown @100 V/sec.....	300-500 V.....	300-500 V
Impulse Breakdown		
100 V/μsec.....	600 V.....	600 V
10 kV/μsec.....	850 V	
100 V/μsec, vented.....	1200 V.....	1000 V
Insulation Resistance @ 100 V/leakage current.....	>10 ¹⁰ Ω.....	>10 ¹⁰ Ω
Capacitance @1 kHz.....	<15 pF.....	<15 pF
DC Extinguishing (Network applied) @ 52 V, 135 V, 150 V.....	<150 msec.....	<150 msec
Impulse Life Characteristics.....	>400x500 A 10/1000 μsec.....	>3000x 10 A 10/1000 μsec
		>300x 100 A 10/1000 μsec
	>10 kA 8/20 μsec.....	>100x 300 A 10/1000 μsec
		>25x 2 kA 10/250 μsec
AC Life Characteristics.....	>65 A, 11 cycles.....	>20x 10 A, 1 sec
		>60x 1 A, 1 sec
		>30 sec 0.5 A, continuous
Operating Temperature.....		-55 to +85 °C

Notes:

* Either protector module will comply with both specifications. The only difference is the voltage rating of the backup gap for the vent safe condition.

1 Telcordia Evaluated: 125-EW

125-EW/EW-R Series – Sealed Gas Tube Station Protector

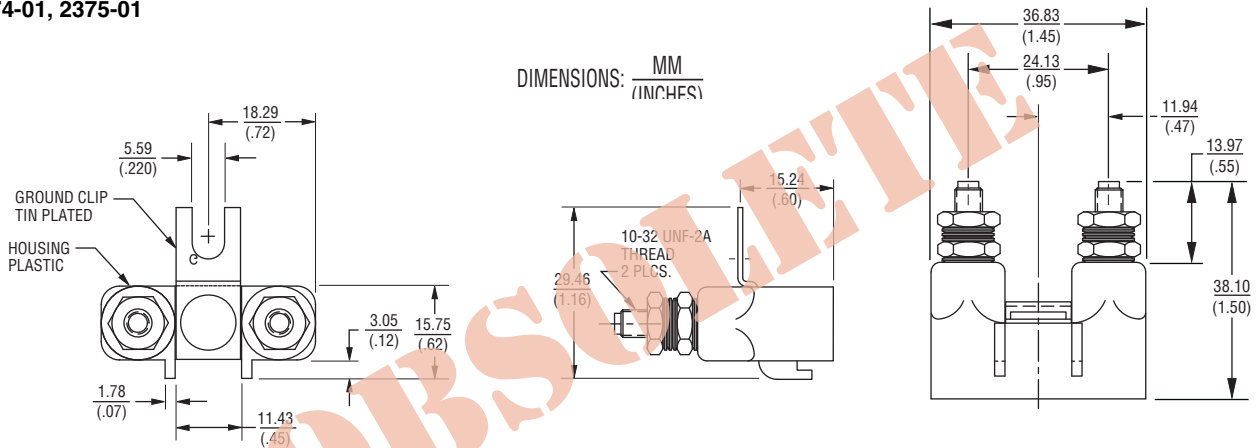
BOURNS®

How To Order

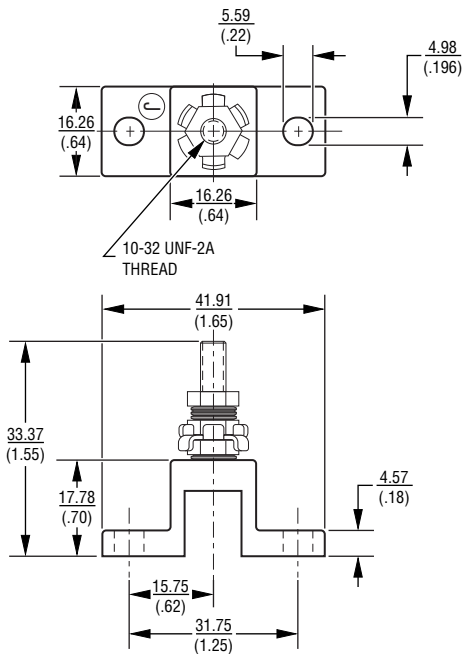
Model	Protector or Mounting Stud Only	1 Protector with Mounting Stud	2 Protectors with Mounting Stud
125-EW	2374-01	2374-01-X1	2374-01-X2
125-EW-R	2375-01	2375-01-X1	2375-01-X2
Mounting Stud	2372-02	-	-

Product Dimensions

2374-01, 2375-01



2372-02 Ground Mounting Stud (order separately)



REV. H 12/12

Specifications are subject to change without notice.
Customers should verify actual device performance in their specific applications.

Mouser Electronics

Authorized Distributor

Click to View Pricing, Inventory, Delivery & Lifecycle Information:

Bourns:

[2374-01](#) [2375-01](#) [2374-01-X2](#)