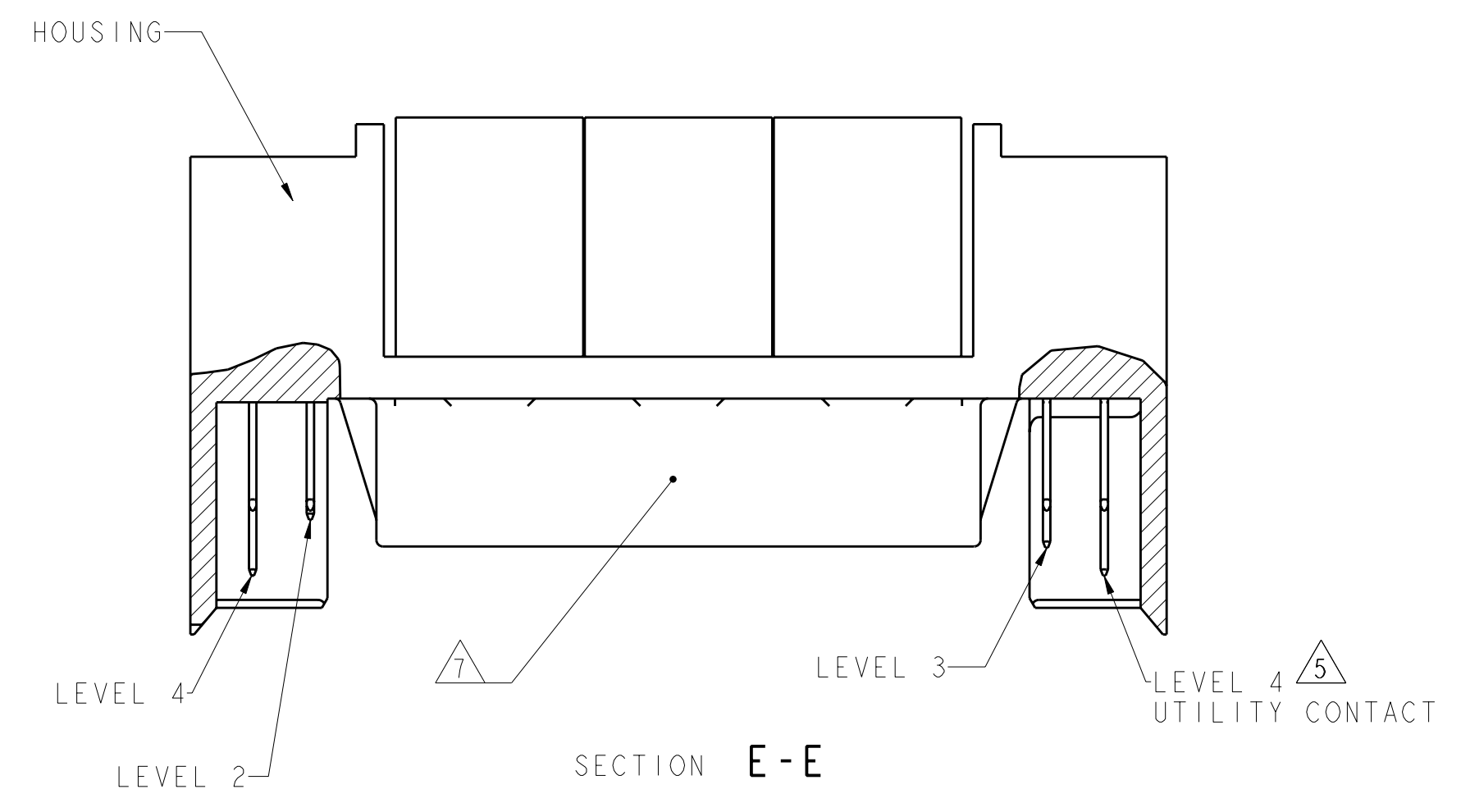
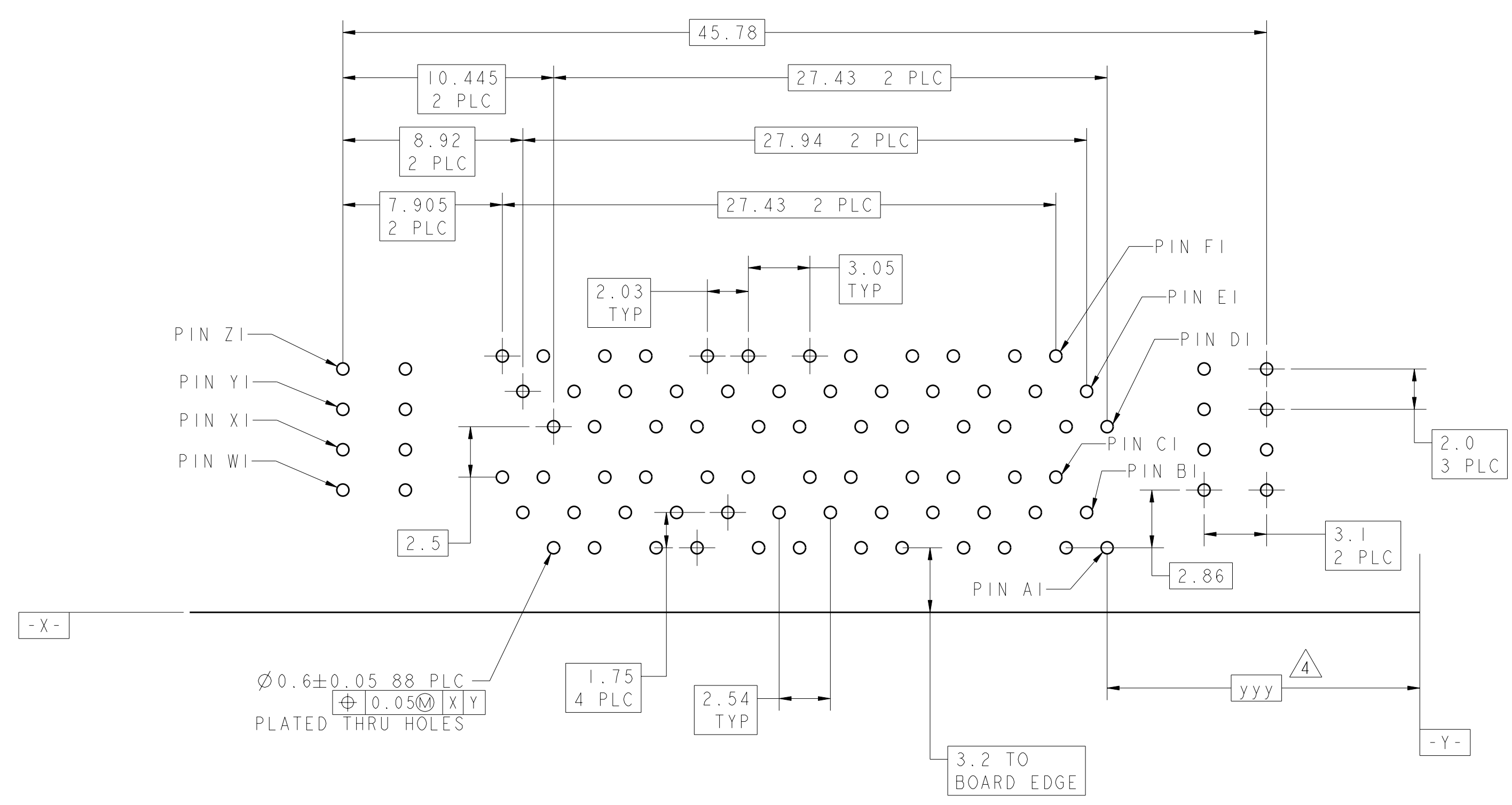
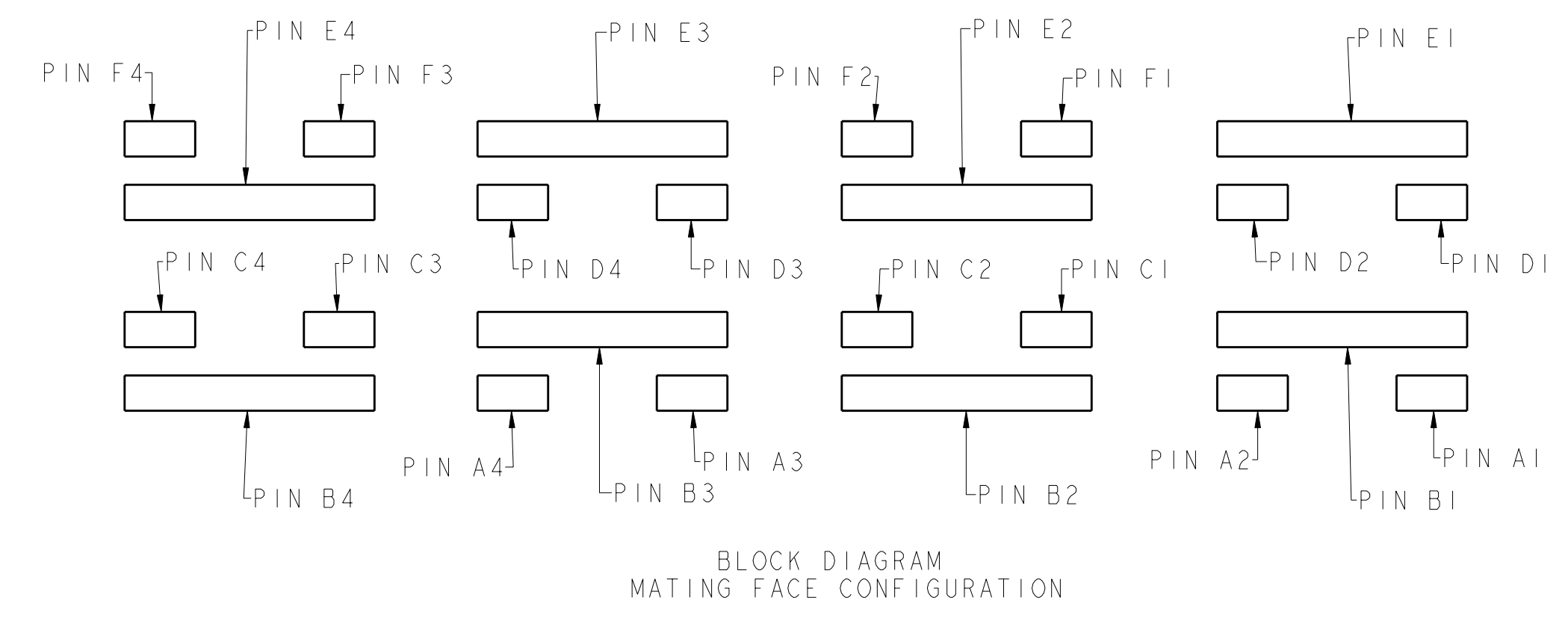
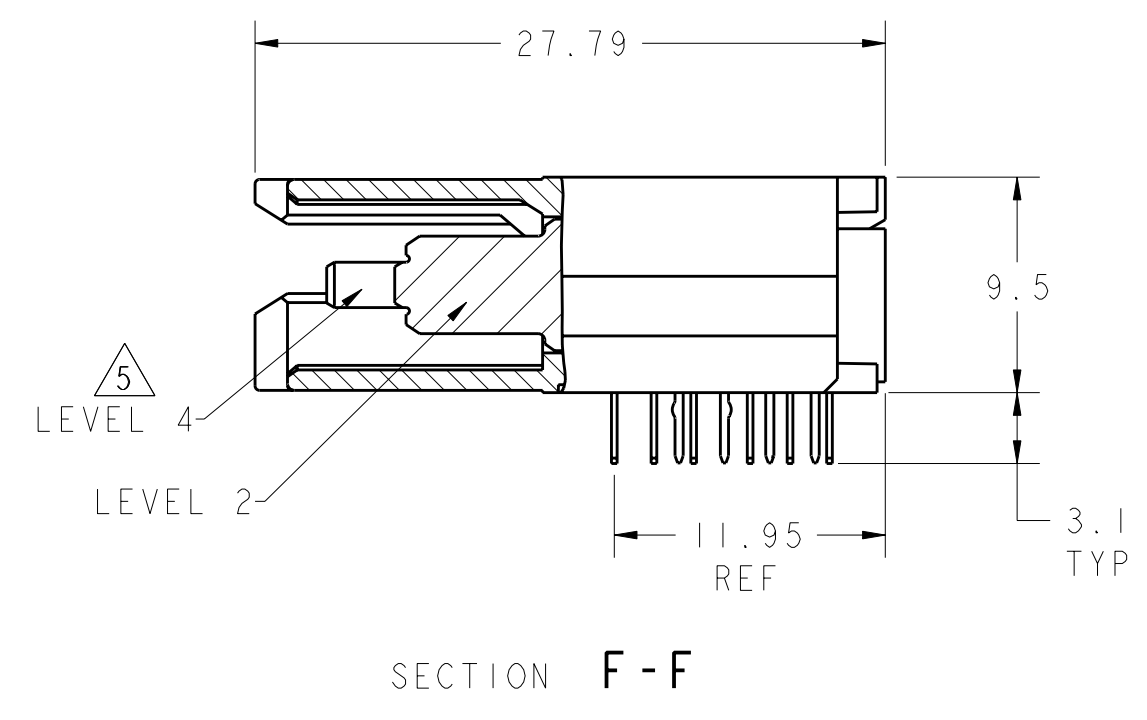
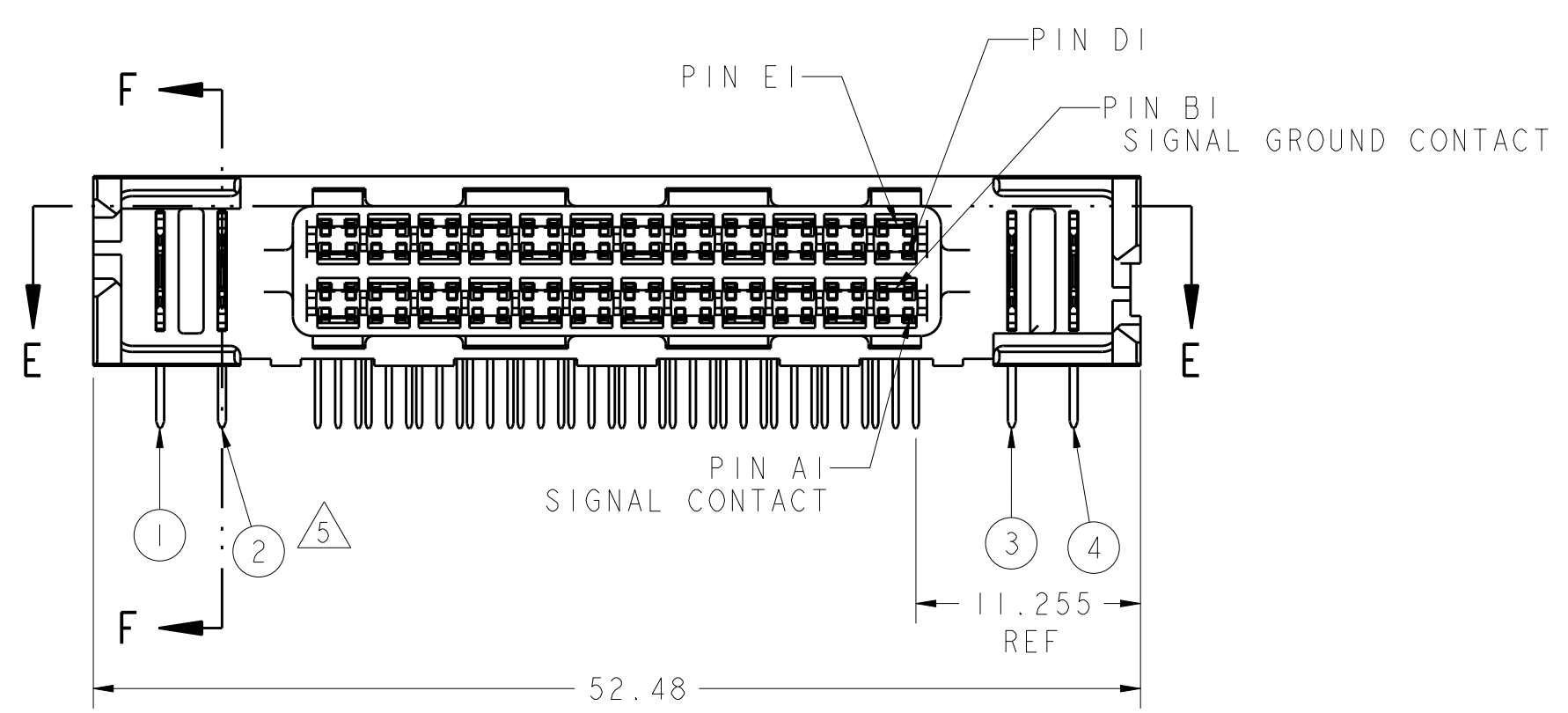


LOC		DIST		REVISIONS			
GP	00	P	LTR	DESCRIPTION	DATE	DWN	APVD
		B		REVISED PER ECO-10-012356	14DEC2010	CJV	EJB



- 1 HOUSINGS: POLYESTER, UL 94 V-O RATED, NATURAL
 SIGNAL AND SIGNAL GROUND CONTACTS: COPPER ALLOY
 UTILITY CONTACTS: PHOSPHOR BRONZE
- 2 UTILITY CONTACTS: 0.76um MIN GOLD IN CONTACT AREA,
 2.54um MIN TIN ON PCB TAILS, OVER 1.27um MIN NICKEL OVER ALL.
 SIGNAL AND SIGNAL GROUND CONTACTS: 0.76um MIN GOLD IN CONTACT AREA,
 2.54um MIN TIN ON PCB TAILS, OVER 1.27um MIN NICKEL OVER ALL.
- 3. ROWS A, C, D, AND F ARE SIGNAL CONTACTS. ROWS B AND E ARE SIGNAL GROUND CONTACTS.
- 4 DIMENSIONS PER CUSTOMER BOARD LAYOUT.
- 5 SEE UTILITY CONTACT SEQUENCE TABLE FOR LOCATION AND LEVEL/LENGTH OF UTILITY CONTACTS FOR EACH PRODUCT PART NUMBER. UTILITY LEVEL 1 CAN BE USED FOR SENSING. UTILITY LEVELS 2, 3, AND 4 CAN BE USED FOR POWER, GROUND, OR ESD. SEQUENCING SHOWN IN SECTION E-E SHOWS THREE LEVELS FOR COMPARISON. UTILITY LEVEL 2 EQUALS THE SIGNAL GROUND CONTACT LEVEL. SIGNAL LEVEL IS BETWEEN UTILITY LEVELS 1 AND 2.
- 6. BLOCK DIAGRAM AND CONTACT IDENTIFICATION APPLY TO COPLANAR NON-INVERTED APPLICATION ONLY. CONTACT IDENTIFICATION REVERSES FOR INVERTED APPLICATIONS, I.E COPLANAR OR MID-BOARD INVERTED.
- 7 COMPANY LOGO IN APPROXIMATE AREA SHOWN.



UTILITY CONTACT SEQUENCE TABLE				
UTILITY CONTACT LEVEL 1, 2, 3, OR 4				
TBD	TBD	TBD	TBD	6367583-2
4	3	3	4	6367583-1
1	2	3	4	PART NUMBER

UTILITY CONTACT LOCATION

RECOMMENDED PC BOARD FOOTPRINT
 COMPONENT SIDE SHOWN
 SCALE 5:1

DIMENSIONS: mm 		TOLERANCES UNLESS OTHERWISE SPECIFIED: 9 PLC ± 1 PLC ±0.3 2 PLC ±0.25 3 PLC ± 4 PLC ± ANGLES ±		DWN: WM VAN SCOOC 25MAY05 CHK: N REESER 25MAY05 APVD: N REESER 25MAY05 PRODUCT SPEC: 108-1985 APPLICATION SPEC: 114-13068 WEIGHT: - CUSTOMER DRAWING		Tyco Electronics Harrisburg, PA 17105-3608 NAME: Z-DOK+ ADAPTER BOARD CONNECTOR ASSEMBLY, 24 SIGNAL DIFF. PAIR, 2 UTILITY CONTACTS PER SIDE SIZE: A1 CAGE CODE: 00779 DRAWING NO: 6367583 RESTRICTED TO: - SCALE: 3:1 SHEET 1 OF 1 REV B	
-----------------------	--	--	--	--	--	---	--

Mouser Electronics

Authorized Distributor

Click to View Pricing, Inventory, Delivery & Lifecycle Information:

[TE Connectivity:](#)

[6367583-1](#)