

MATERIAL: COPPER  
 PLATING: ELECTRO TIN

WIRE SIZE: 16-14 AWG

**ETC** INCORPORATED  
 CLEVELAND, OHIO

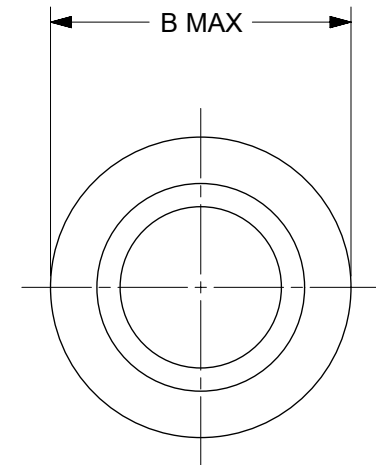
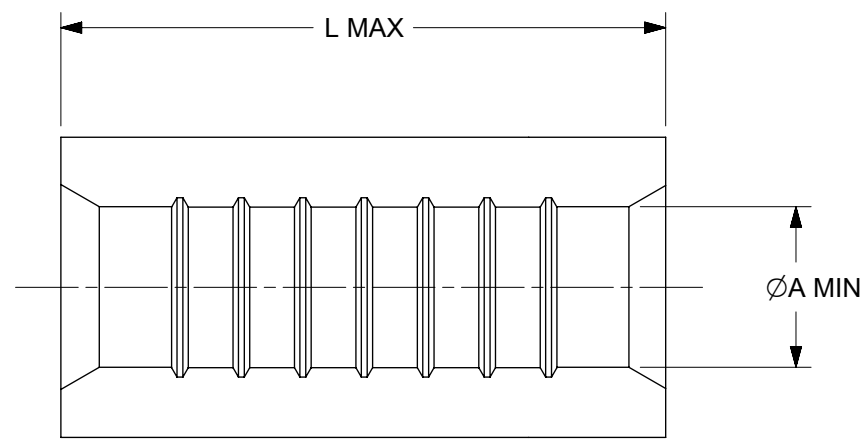
TITLE:  
 KRIMPTITE PARALLEL  
 SPLICE

DIMENSIONAL TOLERANCE UNLESS OTHERWISE SPECIFIED		
FRAC.	DEC.	ANG.
±	±	±

REVISION	SCALE: $\sim$	DATE
	DRWN. BY: JTK	3-24-71
	CHKD. BY:	
	APPRD. BY:	
	DRAWING NO.: B-104	

MATERIAL NUMBER	ALTERNATE NUMBER	"L" MAX	"A" MIN.	"B" MAX	PACKAGING
192080001	B-104	.340 (8.60)	.084 (2.10)	.165 (4.20)	LOOSE PIECE
192080002	C-103	.330 (8.40)	.128 (3.30)	.230 (5.80)	

(A1)



(A1)

- NOTES:  
 1. MATERIAL: COPPER.  
 2. PLATING: ELECTRO-TIN  
 3. PARTS ARE ROHS COMPLIANT

THIS DRAWING CONTAINS INFORMATION THAT IS PROPRIETARY TO MOLEX ELECTRONIC TECHNOLOGIES, LLC AND SHOULD NOT BE USED WITHOUT WRITTEN PERMISSION									
FUNCTIONAL SYMBOLS	DIMENSION UNITS	SCALE	CURRENT REV DESC: MIGRATE TO NX & REMOVE OBSOLETE PART # C-103T						
	INCH/MM	2:1	<b>molex</b>  PARALLEL CONNECTOR						
DIVISIONAL SYMBOLS	GENERAL TOLERANCES (UNLESS SPECIFIED)								
	4 PLACES	±	±	EC NO: 637846 DRWN: SUDAYGUNAGI 2020/05/08 CHK'D: EJOHNSON04 2020/05/19 APPR: EJOHNSON04 2020/05/19					
3 PLACES	±	±	INITIAL REVISION:						
2 PLACES	±	±	DRWN: BENDERLE 2002/01/31						
1 PLACE	±	±	APPR: RDEROSS 2002/01/31						
0 PLACES	±	±	DOCUMENT NUMBER: SD-19208-002 DOC TYPE: PSD DOC PART: 001 REVISION: A1						
ANGULAR TOL		± 0.5°	DRAFT WHERE APPLICABLE MUST REMAIN WITHIN DIMENSIONS THIRD ANGLE PROJECTION DRAWING: B-SIZE SERIES: 19208 MATERIAL NUMBER: SEE CHART CUSTOMER: GENERAL MARKET SHEET NUMBER: 1 OF 1						

DOCUMENT STATUS	P1	RELEASE DATE	2020/05/19	11:13:18
-----------------	----	--------------	------------	----------