

- 26 WITH SPECIAL CHAIN FEATURE
- 25 SIDE KEYING ON LAST CAVITY THICKNESS=1.5mm
- 24 SIDE KEYING ON CAVITY 1 THICKNESS=1.5mm
- 19 COLOR MARKING IN THIS AREA. COLOR SEE TABLE
- 18 SLOT, THICK, BETWEEN CAVITIES
- 17 KEYING, THICK, BETWEEN POSITION
- 16 SLOT, SLIM, FOR SIDE KEYING, LAST CAVITY  
Schlitz.duenn. an letzte Kammer
- 15 SLOT, SLIM, FOR SIDE KEYING, SIDE CAVITY 1  
Schlitz.duenn. fuer Seitenkodierung
- 14 SIDE KEYING, SLIM, ON LAST CAVITY  
Seitenkodierung, duenn. an letzte Kammer
- 13 SIDE KEYING, SLIM, ON CAVITY 1  
Seitenkodierung, duenn. an Kammer 1
- 12 KEYING SLIM BETWEEN POSITIONS
- 11 PRELIMINARY PART NOT RELEASED FOR PRODUCTION
- 10 TE LOGO
- 9 INCLUSIVE COPPER LOADING  
Inklusive Kupferkaschierung
- 8 PCB PREFERABLY CHAMFERED  
Leiterplatte vorzugsweise angefast
- 7 SLOT, THICK, FOR SIDE KEYING  
Schlitz.dick. fuer Seitenkodierung
- 6 SIDE KEYING, THICK, ON LAST CAVITY  
Seitenkodierung, dick. an letzte Kammer
- 5 WIRE RANG: 0.22-0.35mm<sup>2</sup> SEE APPLICATION SPEC. 114-18467  
Drahtgroßenbereich: 0.22-0.35mm<sup>2</sup> siehe Verarbeitungsspec. 114-18467
- 4 IEC 60695-2-11 / IEC 60335-1 GLOW WIRE TEST 750 °C WITHOUT FLAME  
IEC 60695-2-11 / IEC 60335-1 Gluehdrahttest 750 °C ohne Flamme
- 3 X..CAVITY LOADED WITH CONTACT  
O..CAVITY WITHOUT CONTACT  
X..Kammer mit Kontakt bestueckt  
O..Kammer ohne Kontakt
- 2 MATING PART: PCB (WITH FRAMES ACC. RAST 2.5 E.G. PN 964 575/576  
TABHEADER PN 829 866/867  
Passender Gegenstecker: Leiterplatten (mit Rahmen nach RAST 2.5 z.B.  
964 575/576) Tabwannen Nr. 829 866/867
- 1 KEYING RIBS: CUTTING WITH TERMINATION MACHINE POSSIBLE  
Kodierrippe; Schneiden auf der Verarbeitungsmaschine moeglich

2	SEE TABLE	CONTACT/Kontakt	CuSn	TINNED/verzinkt
1	siehe Tabelle	HOUSING/Federleistengenh.	HIGH TEMP PLASTIC	NATUR/Natur
POS.	PN Bestell-Nr.	DESCRIPTION Beschreibung	MATERIAL	COLOUR/FINISH Farbe/Oberflaeche

THIS DRAWING IS A CONTROLLED DOCUMENT. DWN: H. Karabiyik 24MAY2002  
CHK: B. Schnaubel 24MAY2002  
APVD: T. Klenner 24MAY2002

DIMENSIONS: mm  
TOLERANCES UNLESS OTHERWISE SPECIFIED:  
0 PLC ±0.2  
1 PLC ±0.2  
2 PLC ±0.2  
3 PLC ±0.2  
4 PLC ±0.2  
ANGLES ±1°  
FINISH -

MATERIAL: -

WEIGHT: -

Customer Drawing

SCALE: 5:1 SHEET 1 OF 3

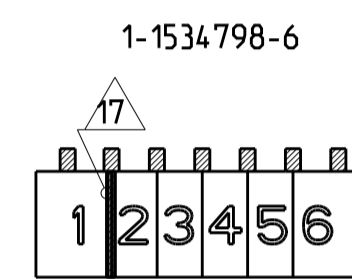
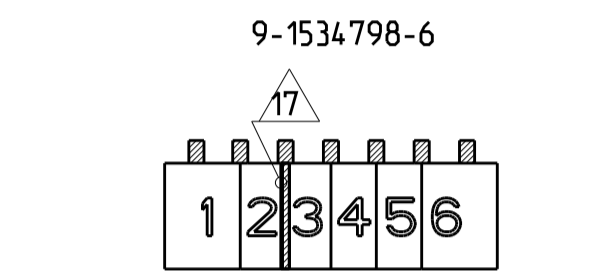
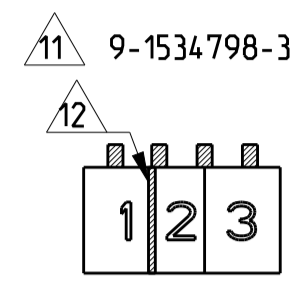
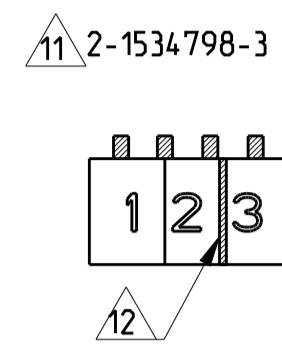
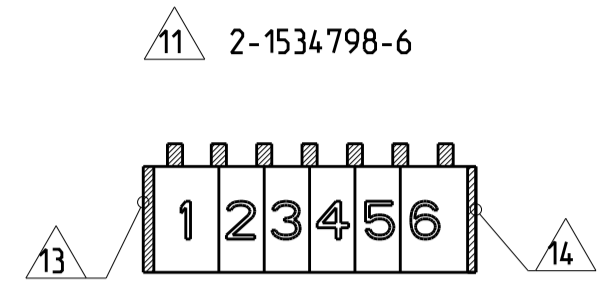
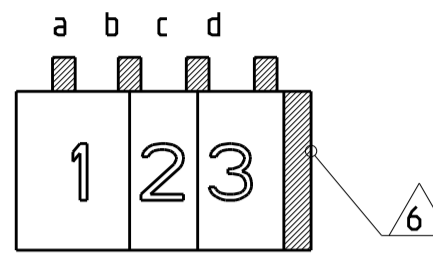
TE Connectivity  
AMP DUOPLUG 2.5 MARK II  
FEMALE CONNECTOR 3-20 POSITION  
SELECTIVE LOADED

SIZE: A1 CAGE CODE: 007799 DRAWING NO: 1534798  
RESTRICTED TO: -

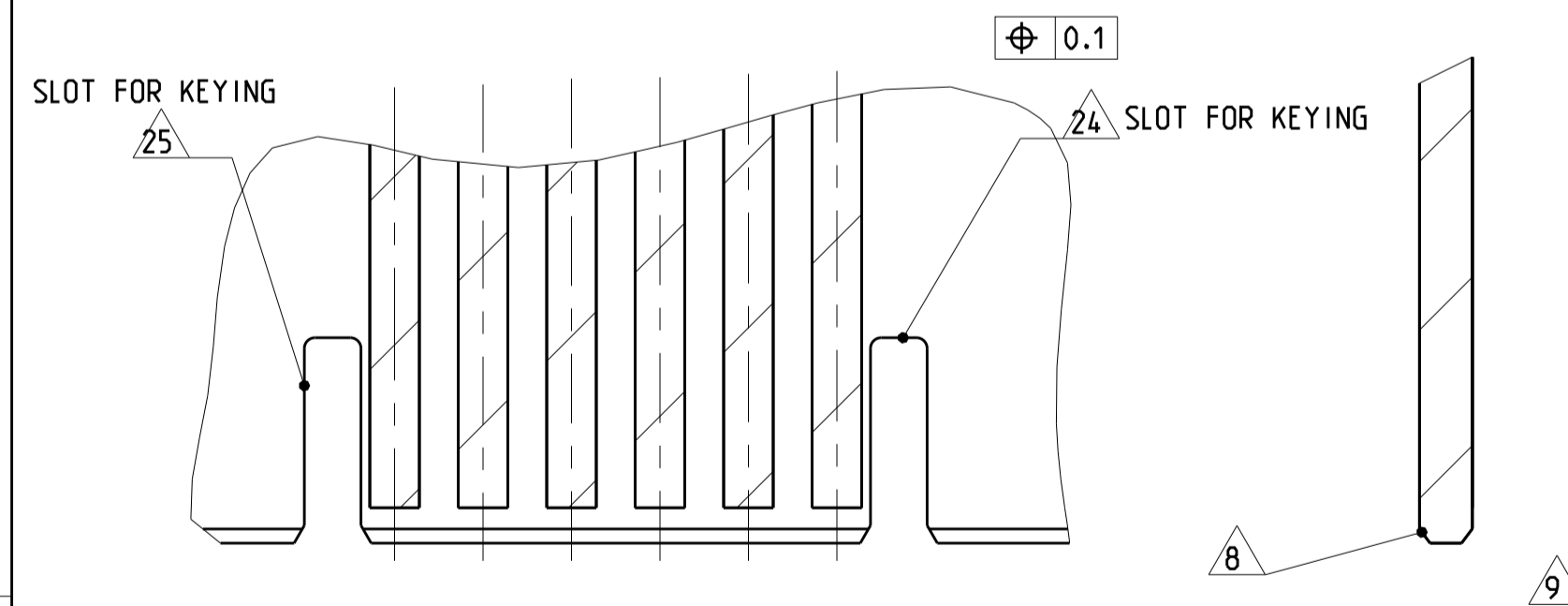
KEYING PLAN

Kodierschema

4-1534798-3



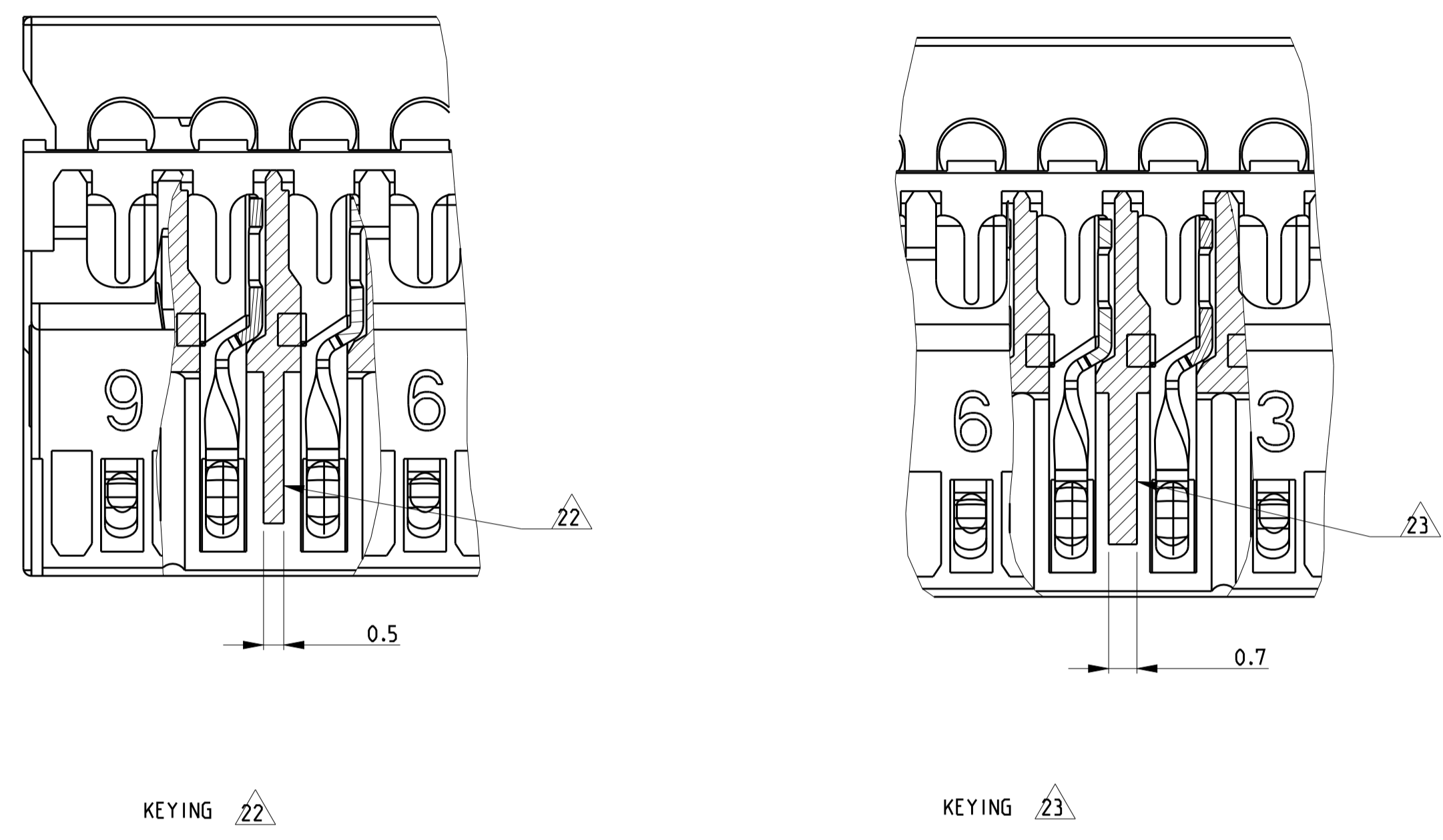
PCB LAYOUT KEYED / CONNECTED ONLY WITH ADDITIONAL FRAME (KEYING THICKNESS 1.5mm)



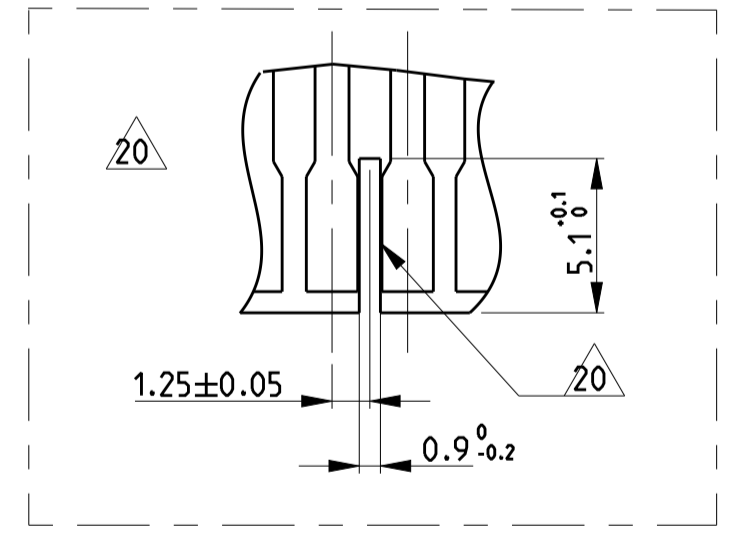
5:1

	X	0	X	0	X	0	X	0	X	0	X	0	X	0	X	0	X	0	X	0	X	0	X	0	X	0	X	0	19	45	49.9									
				X	0	X	0	X	0	X	0	X	0	X	0	X	0	X	0	X	0	X	0	X	0	X	0	X	0										1-1534799-9	
				X	0	X	0	X	0	X	0	X	0	X	0	X	0	X	0	X	0	X	0	X	0	X	0	X	0	17	40	44.9				8/9				1534799-7 /11
				X	0	X	0	X	0	X	0	X	0	X	0	X	0	X	0	X	0	X	0	X	0	X	0	X	0	15	35	39.9				-				1-1534799-5
				X	X	0	0	0	X	X	X	X	X	X	X	X	X	X	X	X	X	X	X	X	X	X	X	X	13	30	34.9				-				4-1534799-3 /11	
				X	0	X	0	X	0	X	0	X	0	X	0	X	0	X	0	X	0	X	0	X	0	X	0	X	0	12	27.5	32.4				8/9				1-1534799-2 /11
				X	X	X	X	0	X	0	X	0	X	0	X	0	X	0	X	0	X	0	X	0	X	0	X	0	12	27.5	32.4								2-1534799-2 /11	
Black				X	0	X	0	0	0	X	0	X	0	X	0	X	0	X	0	X	0	X	0	X	0	X	0	X	0	11	25	29.9				-				5-1534799-1
				X	0	X	X	X	X	X	X	X	X	0	X	X													11	25	29.9				-				4-1534799-1	
				X	0	X	0	X	0	X	0	X	0	X	0	X	0	X	0	X	0	X	0	X	0	X	0	X	0	11	25	29.9				-				3-1534799-1
				X	0	X	0	X	0	0	0	0	X	X	X													11	25	29.9				-				2-1534799-1		
				X	0	X	0	X	0	X	0	X	0	X	0	X	0	X	0	X	0	X	0	X	0	X	0	X	0	10	22.5	27.4				-				5-1534798-0
				X	0	X	X	X	X	X	X	X	0	X	0	X	0	X	0	X	0	X	0	X	0	X	0	X	0	10	22.5	27.4				-				4-1534798-0 /11
				X	0	X	0	X	0	X	0	X	0	X	0	X	0	X	0	X	0	X	0	X	0	X	0	X	0	10	22.5	27.4				-				<del>3-1534798-0</del>
				X	X	X	0	X	0	X	0	X	0	X	0	X	0	X	0	X	0	X	0	X	0	X	0	X	0	10	22.5	27.4				-				2-1534798-0
				X	0	X	X	X	X	X	X	X	0	X	X	X													9	20	24.9				-				6-1534798-9	
				X	0	X	X	0	X	0	X	0	X	0	X	0	X	0	X	0	X	0	X	0	X	0	X	0	9	20	24.9				-				5-1534798-9	
				X	0	X	X	0	X	0	X	0	X	0	X	0	X	0	X	0	X	0	X	0	X	0	X	0	9	20	24.9				-				4-1534798-9	
				X	0	X	0	X	0	X	0	X	0	X	0	X	0	X	0	X	0	X	0	X	0	X	0	X	0	9	20	24.9				-				3-1534798-9
				X	0	X	0	X	0	X	0	X	0	X	0	X	0	X	0	X	0	X	0	X	0	X	0	X	0	8	17.5	22.4				-				9-1534798-8
				X	X	0	X	X	0	X	0	X	0	X	0	X	0	X	0	X	0	X	0	X	0	X	0	X	0	8	17.5	22.4				-				8-1534798-8
				X	0	X	X	X	X	X	X	X	X	X	X	X	X	X	X	X	X	X	X	X	X	X	X	X	8	17.5	22.4				-				7-1534798-8	
				X	X	X	X	X	X	X	X	X	X	X	X	X	X	X	X	X	X	X	X	X	X	X	X	8	17.5	22.4				-				6-1534798-8		
				X	X	X	X	0	X	0	X	0	X	0	X	0	X	0	X	0	X	0	X	0	X	0	X	0	8	17.5	22.4				-				5-1534798-8	
				X	X	0	0	0	X	X	X	X	X	X	X	X	X	X	X	X	X	X	X	X	X	X	X	8	17.5	22.4				-				4-1534798-8		
				X	X	X	0	0	0	X	X	X	X	X	X	X	X	X	X	X	X	X	X	X	X	X	X	8	17.5	22.4				-				3-1534798-8		
Black				X	0	X	0	0	0	X	0	X	0	X	0	X	0	X	0	X	0	X	0	X	0	X	0	X	0	7	15	19.9				-				6-1534798-7
				X	0	X	0	0	0	X	0	X	0	X	0	X	0	X	0	X	0	X	0	X	0	X	0	X	0	7	15	19.9				-				5-1534798-7
				X	0	X	X	X	X	X	X	X	X	X	X	X	X	X	X	X	X	X	X	X	X	X	X	7	15	19.9				-				4-1534798-7 /11		
				X	0	X	0	X	0	X	0	X	0	X	0	X	0	X	0	X	0	X	0	X	0	X	0	X	0	7	15	19.9				-				3-1534798-7
				X	0	X	X	0	X	X	X	X	X	X	X	X	X	X	X	X	X	X	X	X	X	X	X	6	12.5	17.4						X	X	-	2-1534798-6 /11	
Black				X	0	X	X	0	X	X	X	X	X	X	X	X	X	X	X	X	X	X	X	X	X	X	X	6	12.5	17.4									1-1534798-6	
Red				X	0	X	X	0	X	X	X	X	X	X	X	X	X	X	X	X	X	X	X	X	X	X	X	6	12.5	17.4									9-1534798-6	
				X	0	X	0	X	X	X	X	X	X	X	X	X	X	X	X	X	X	X	X	X	X	X	X	6	12.5	17.4									8-1534798-6	
				X	X	X	0	X	X	X	X	X	X	X	X	X	X	X	X	X	X	X	X	X	X	X	X	6	12.5	17.4									7-1534798-6	
				0	X	X	X	0	X	X	X	X	X	X	X	X	X	X	X	X	X	X	X	X	X	X	X	6	12.5	17.4									<del>6-1534798-6</del>	
				X	0	X	X	0	X	X	X	X	X	X	X	X	X	X	X	X	X	X	X	X	X	X	X	6	12.5	17.4									5-1534798-6	
				X	0	X	X	0	X	X	X	X	X	X	X	X	X	X	X	X	X	X	X	X	X	X	X	6	12.5	17.4						X	X	3/4	2314657-6 /11	
				X	0	X	X	0	X	X	X	X	X	X	X	X	X	X	X	X	X	X	X	X	X	X	X	6	12.5	17.4						X	X	4/5	1-2314657-6 /11	
				0	0	0	X	0	X	X	X	X	X	X	X	X	X	X	X	X	X	X	X	X	X	X	X	6	12.5	17.4									<del>4-1534798-6</del>	
				X	X	0	X	0	X	0	X	0	X	0	X	0	X	0	X	0	X	0	X	0	X	0	X	0	6	12.5	17.4									3-1534798-6
Brown				X	0	X	0	X	0	X	0	X	0	X	0	X	0	X	0	X	0	X	0	X	0	X	0	X	0	5	10	14.9				4/5				8-1534798-5 /11
Black				X	0	X	0	0	0	X	0	X	0	X	0	X	0	X	0	X	0	X	0	X	0	X	0	X	0	5	10	14.9				-				7-1534798-5
				X	X	X	0	X	X	X	X	X	X	X	X	X	X	X	X	X	X	X	X	X	X	X	X	5	10	14.9				-					6-1534798-5	
				X	0	0	0	X	X	X	X	X	X	X	X	X	X	X	X	X	X	X	X	X	X	X	X	5	10	14.9				-					4-1534798-5	
				X	0	X	0	X	X	X	X	X	X	X	X	X	X	X	X	X	X	X	X	X	X	X	X	5	10	14.9				-					3-1534798-5	
				X	0	X	X	X	X	X	X	X	X	X	X	X	X	X	X	X	X	X	X	X	X	X	X	5	10	14.9				-					2-1534798-5 /11	
				X	X	0	X	X	X	X	X	X	X	X	X	X	X	X	X	X	X	X	X	X	X	X	X	4	7.5	12.4				-					3-1534798-4 /11	
Orange				X	0	X	X	X	X	X	X	X	X	X	X	X	X	X	X	X	X	X	X	X	X	X	X	3	5	9.9									1-1534798-3	
				X	0	X	X	X	X	X	X	X	X	X	X	X	X	X	X	X	X	X	X	X	X	X	X	3	5	9.9				2/3					1534798-3	
				X	0	X	X	X	X	X	X	X	X	X	X	X	X	X	X	X	X	X	X	X	X	X	X	3	5	9.9									9-1534798-3 /11	
				X</																																				

LOC	DIST	REV	DESCRIPTION	DATE	DRW	APVD
-	-	-	SEE SHEET 1	-	-	-



- 23 KEYING. SPECIAL THICK. BETWEEN POSITION
- 22 KEYING. SPECIAL THIN. BETWEEN POSITION
- 21 SLOT FOR KEYING SPECIAL. BETWEEN POSITION
- 20 RECOMMENDED PCB CUTOFF DIMENSION FOR THE PN X-2304527-Y AND X-2304528-Y



		GWT 750C AND UL94 V0 VERSION																											
Color	Code	20	19	18	17	16	15	14	13	12	11	10	9	8	7	6	5	4	3	2	1	POS. Polzahl	DIM A	DIM B	KEYING	KEYING	KEYING	KEYING	PN 11 Bestell-Nr.
Blue		X	0	X	0	X	0	X	0	X	0	X	0	X	0	X	0	X	0	X	13	30	34.9			-	2/3	1-2304528-3 2304528-3	
Orange				X	0	X	0	X	0	0	0	X	X	X	11	25	29.9					-	-	-	-	-	2-2304528-1 1-2304528-1 2304528-1		
Green				X	0	X	0	X	0	X	0	X	0	X	10	22.5	27.4											2-2304528-0 1-2304528-0	
				X	0	X	0	X	0	X	0	X	0	X	9	20	24.9												3-2304527-9 2-2304527-9 1-2304527-9
Black				X	0	X	X	0	X	X	0	X	0	X	7	15	19.9												4-2304527-7 3-2304527-7
Blue				X	0	X	X	0	X	X	0	X	0	X	7	15	19.9												2-2304527-7 1-2304527-7 2304527-7
Red												X	X	0	X	0	X	6	12.5	17.4								6-2304527-6 5-2304527-6	
Black												X	0	X	X	0	X	6	12.5	17.4								4-2304527-6 3-2304527-6	
Green												X	X	0	X	0	X	6	12.5	17.4								2-2304527-6 1-2304527-6	
Blue												X	0	X	0	X	X	5	10	14.9								3-2304527-5 2-2304527-5	
Red												X	X	X	0	X	X	5	10	14.9		3/4						4-2304527-5 3-2304527-5	
Red												X	0	0	0	X	X	5	10	14.9								2-2304527-5 1-2304527-5	
Green												X	0	X	0	X	X	5	10	14.9								2304527-5	
Black												X	X	0	0			4	7.5	12.4								2304527-4	
Red												X	0	X				3	5	9.9								8-2304527-3 7-2304527-3	
Red												X	0	X				3	5	9.9								6-2304527-3 5-2304527-3	
Blue												X	0	X				3	5	9.9								4-2304527-3	
Black												X	0	X				3	5	9.9						1/2	-	3-2304527-3	
Red												X	0	X				3	5	9.9						2/3	-	2-2304527-3	
Brown												X	0	X				3	5	9.9						-	-	1-2304527-3	
Orange												X	0	X				3	5	9.9						-	-	2304527-3	

THIS DRAWING IS A CONTROLLED DOCUMENT. DWN H. Karabiyik 24MAY2002  
 CHK B. Schnaubel 24MAY2002  
 APVD T. Klenner 24MAY2002

**STE** TE Connectivity

NAME AMP DUOPLUG 2.5 MARK II FEMALE CONNECTOR 3-20 POSITION SELECTIVE LOADED

PRODUCT SPEC 108-18785 APPLICATION SPEC 116-18467

SIZE CAGE CODE DRAWING NO. RESTRICTED TO A 1 00779 C-1534798

MATERIAL - FINISH - WEIGHT - Customer Drawing SCALE 10:1 SHEET 3 OF 3

# Mouser Electronics

Authorized Distributor

Click to View Pricing, Inventory, Delivery & Lifecycle Information:

[TE Connectivity:](#)

[3-1534798-6](#)