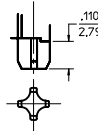


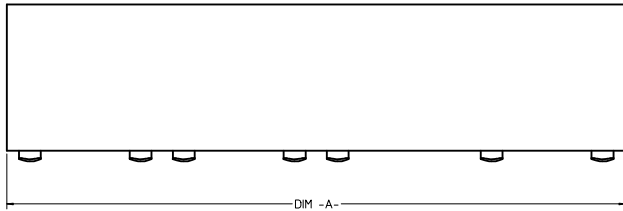
(SNAP-FIT PEG OPTION)

SCALE: NTS
SEE NOTE #8



(PRESS-FIT PEG OPTION)

SCALE: NTS
SEE NOTE #8

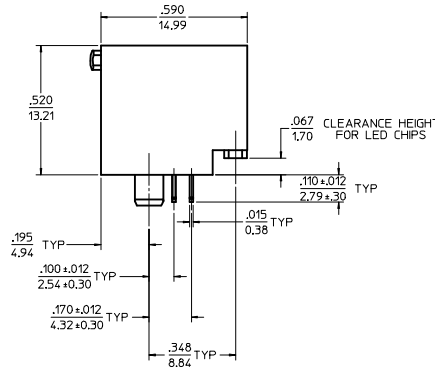
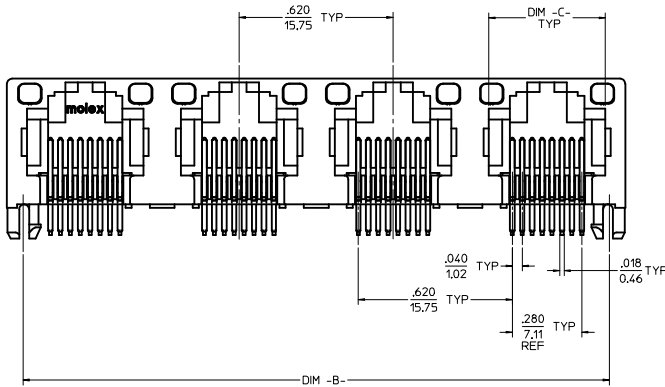


8 CIRCUIT HOUSING(S)

X = NOT TOOLED	ASSEMBLY MATERIAL NUMBER	NUMBER OF CIRCUITS	NUMBER OF PORTS	PEG STYLE	DIM -A-	DIM -B-	DIM -C-
	44248-0001	8	2	SNAP-FIT	1.250/31.75	1.120/28.45	.469/11.92
X	44248-0002	8	4	SNAP-FIT	2.490/63.25	2.360/59.94	.469/11.92
X	44248-0005	8	2	PRESS-FIT	1.250/31.75	1.120/28.45	.469/11.92
X	44248-0006	8	4	PRESS-FIT	2.490/63.25	2.360/59.94	.469/11.92

6 CIRCUIT HOUSING(S)

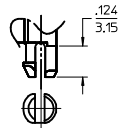
X = NOT TOOLED	ASSEMBLY MATERIAL NUMBER	NUMBER OF CIRCUITS	NUMBER OF PORTS	PEG STYLE	DIM -A-	DIM -B-	DIM -C-
X	44248-0009	6	2	SNAP-FIT	1.250/31.75	1.120/28.45	.389/9.88
X	44248-0010	4	2	SNAP-FIT	1.250/31.75	1.120/28.45	.389/9.88
X	44248-0011	6	4	SNAP-FIT	2.490/63.25	2.360/59.94	.389/9.88
X	44248-0012	4	4	SNAP-FIT	2.490/63.25	2.360/59.94	.389/9.88
X	44248-0017	6	2	PRESS-FIT	1.250/31.75	1.120/28.45	.389/9.88
X	44248-0018	4	2	PRESS-FIT	1.250/31.75	1.120/28.45	.389/9.88
X	44248-0019	6	4	PRESS-FIT	2.490/63.25	2.360/59.94	.389/9.88
X	44248-0020	4	4	PRESS-FIT	2.490/63.25	2.360/59.94	.389/9.88



- NOTES:**
- 1) MATERIAL:
HOUSING: POLYESTER(PBT), GLASS FILLED, UL94V-0, COLOR: BLACK
LIGHT PIPES: POLYCARBONATE, UL-94V2, COLOR: CLEAR
TERMINALS: PHOSPHOR BRONZE
 - 2) FINISH:
TERMINALS:
SELECT GOLD IN CONTACT AREA: 50 MICRONCHES (127 MICROMETERS) MIN.
SELECT TIN IN PC TAIL AREA: 100 MICRONCHES (254 MICROMETERS) MIN.
WITH OVERALL NICKEL UNDERPLATE: 50 MICRONCHES (127 MICROMETERS) MIN.
 - 3) PRODUCT SPECIFICATION AND PROCESSING PARAMETERS: PS-43860-003.
 - 4) PACKAGING SPECIFICATION:
CONNECTOR ASSEMBLIES IN THERMOFORMED TRAYS PER MOLEX PACKAGING SPECIFICATION PK-44248-004.
 - 5) APPLICATION SPECIFICATION: AS-43860-001
 - 6) ALL UNTOLERANCED DIMENSIONS ARE SHOWN FOR REFERENCE ONLY.
 - 7) CONFORMS TO FCC REGULATION PART 68.5 FOR MODULAR JACKS.
 - 8) MODJACKS AVAILABLE WITH EITHER SNAP-FIT OR PRESS-FIT PEGS. THIS DRAWING SHOWS SNAP-FIT PEGS.
 - 9) PCB LAYOUT AND PANEL CUT-OUT SHOWN ON SHEETS (5) AND (6).
 - 10) THIS PART CONFORMS TO CLASS B REQUIREMENTS OF COSMETIC SPECIFICATION PS-45499-002.

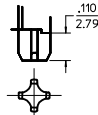
UNSHIELDED WITH LIGHT PIPES

OBSOLETE PN IEC NO: UCP2017-0531 DRAWN: 2016/09/08 CHKD: DRWNAFEN002 APPR: KLANG DESCRIPTION: 2016/09/16 REV: C6	QUALITY SYMBOLS ∇=0 ∇=0 ∇=0	GENERAL TOLERANCES (UNLESS SPECIFIED): mm INCH 4 PLACES ±.010 ±.010 3 PLACES ±.025 ±.010 2 PLACES ±.025 ±.010 1 PLACE ±.025 ±.010 0 PLACE ±.025 ±.010 ANGULAR ±1/2° DRAFT WHERE APPLICABLE MUST REMAIN WITHIN DIMENSIONS	DIMENSION STYLE IN/MM SCALE 4:1 DESIGN UNITS INCH THIRD ANGLE PROJECTION	DRAWN BY DATE CHECKED BY DATE APPROVED BY DATE MATERIAL NO. DOCUMENT NO.	TITLE GANGED INVERTED MODJACK ASSEMBLY molex SD-44248-001 SHEET NO. 1 OF 6
	THIS DRAWING CONTAINS INFORMATION THAT IS PROPRIETARY TO MOLEX INCORPORATED AND SHOULD NOT BE USED WITHOUT WRITTEN PERMISSION				
	SIZE D				
	THIS DRAWING CONTAINS INFORMATION THAT IS PROPRIETARY TO MOLEX INCORPORATED AND SHOULD NOT BE USED WITHOUT WRITTEN PERMISSION				



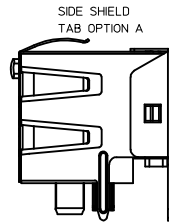
SNAP-FIT PEG OPTION

SCALE: NTS.
SEE NOTE #8



PRESS-FIT PEG OPTION

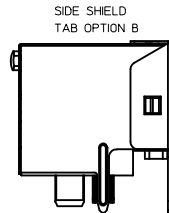
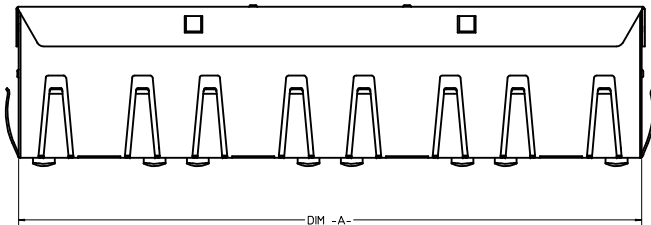
SCALE: NTS.
SEE NOTE #8



SIDE SHIELD
TAB OPTION A

(8) CIRCUIT HOUSING(S)

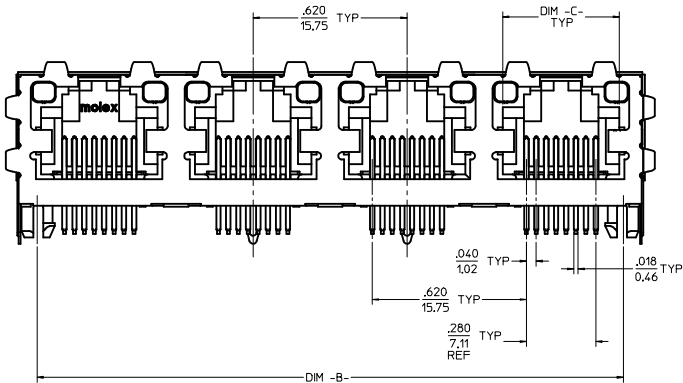
X = NOT TOOLED	ASSEMBLY MATERIAL NUMBER	NUMBER OF CIRCUITS	NUMBER OF PORTS	PEG STYLE	SIDE SHIELD TAB OPTION	DIM -A-	DIM -B-	DIM -C-
	44248-0029	8	2	SNAP-FIT	A	1.274/32.36	1.120/28.45	.469/11.92
	44248-0030	8	4	SNAP-FIT	A	2.514/63.86	2.360/59.94	.469/11.92
	44248-0033	8	2	PRESS-FIT	A	1.274/32.36	1.120/28.45	.469/11.92
	44248-0034	8	4	PRESS-FIT	A	2.514/63.86	2.360/59.94	.469/11.92



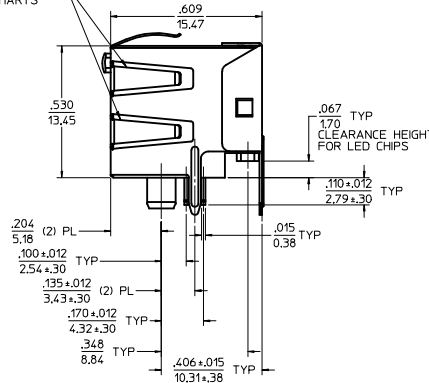
SIDE SHIELD
TAB OPTION B

(6) CIRCUIT HOUSING(S)

X = NOT TOOLED	ASSEMBLY MATERIAL NUMBER	NUMBER OF CIRCUITS	NUMBER OF PORTS	PEG STYLE	SIDE SHIELD TAB OPTION	DIM -A-	DIM -B-	DIM -C-
X	44248-0037	6	2	SNAP-FIT	A	1.274/32.36	1.120/28.45	.389/9.88
X	44248-0038	4	2	SNAP-FIT	A	1.274/32.36	1.120/28.45	.389/9.88
X	44248-0039	6	4	SNAP-FIT	A	2.514/63.86	2.360/59.94	.389/9.88
X	44248-0040	4	4	SNAP-FIT	A	2.514/63.86	2.360/59.94	.389/9.88
X	44248-0045	6	2	PRESS-FIT	A	1.274/32.36	1.120/28.45	.389/9.88
X	44248-0046	4	2	PRESS-FIT	A	1.274/32.36	1.120/28.45	.389/9.88
X	44248-0047	6	4	PRESS-FIT	A	2.514/63.86	2.360/59.94	.389/9.88
X	44248-0048	4	4	PRESS-FIT	A	2.514/63.86	2.360/59.94	.389/9.88



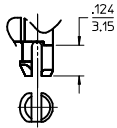
OPTIONAL SIDE
SHIELD TABS
SEE CHARTS



- NOTES:
 1) MATERIAL:
 HOUSING: POLYESTER(PBT), GLASS FILLED, UL94V-0, COLOR: BLACK
 LIGHT PIPES: POLYCARBONATE, UL-94V2, COLOR: CLEAR
 TERMINALS: PHOSPHOR BRONZE
 SHIELD: BRASS
 2) FINISH:
 TERMINALS:
 SELECT GOLD IN CONTACT AREA: 50 MICRONS (1.27 MICROMETERS) MIN.
 SELECT TIN IN PC TAIL AREA: 100 MICRONS (2.54 MICROMETERS) MIN.
 WITH OVERALL NICKEL UNDERPLATE: 50 MICRONS (1.27 MICROMETERS) MIN.
 SHIELD:
 100 MICRONS (2.54 MICROMETERS) NICKEL OVER 50 MICRONS (1.27 MICROMETERS) COPPER UNDERPLATE PCB GROUND TABS DIPPED IN TIN
 3) PRODUCT SPECIFICATION AND PROCESSING PARAMETERS: PS-43860-003.
 4) PACKAGING SPECIFICATION:
 CONNECTOR ASSEMBLIES IN THERMOFORMED TRAYS PER MOLEX PACKAGING SPECIFICATION PK-44248-004.
 5) APPLICATION SPECIFICATION: AS-43860-001
 6) ALL UNTOLERANCED DIMENSIONS ARE SHOWN FOR REFERENCE ONLY.
 7) CONFORMS TO FCC REGULATION PART 68.5 FOR MODULAR JACKS.
 8) MODJACKS AVAILABLE WITH EITHER SNAP-FIT OR PRESS-FIT PEGS.
 THIS DRAWING SHOWS SNAP-FIT PEGS.
 9) PCB LAYOUT AND PANEL CUT-OUT SHOWN ON SHEETS (5) AND (6).
 10) THIS PART CONFORMS TO CLASS B REQUIREMENTS OF COSMETIC SPECIFICATION PS-45499-002.

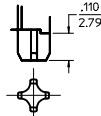
SHIELDED
WITH LIGHT PIPES

SEE SHEET 1 IEC NO: UCP2017-0531 DRAWN: AFEN002 2016/09/08 CHKD: APPR: KLANG 2016/09/16 REV	QUALITY SYMBOLS	GENERAL TOLERANCES (UNLESS SPECIFIED):	DIMENSION STYLE	SCALE	DESIGN UNITS	THIRD ANGLE PROJECTION
	∇=0 ∇=0 ∇=0	4 PLACES ± mm 3 PLACES ± .010 2 PLACES ± 0.25 1 PLACE ± 0 PLACE ±	INCH	4:1	INCH	DRAWN BY: MMAYO DATE: 98/10/06 CHECKED BY: JROBERTS DATE: 98/10/06 APPROVED BY: JROBERTS DATE: 98/10/06
	ANGULAR ±1/2° DRAFT WHERE APPLICABLE MUST REMAIN WITHIN DIMENSIONS	MATERIAL NO. SEE CHART SIZE D	DOCUMENT NO. SD-44248-001	TITLE GANGED INVERTED MODJACK ASSEMBLY	SHEET NO. 2 OF 6	
	THIS DRAWING CONTAINS INFORMATION THAT IS PROPRIETARY TO MOLEX INCORPORATED AND SHOULD NOT BE USED WITHOUT WRITTEN PERMISSION					



SNAP-FIT PEG OPTION

SCALE: NTS.
SEE NOTE #7



PRESS-FIT PEG OPTION

SCALE: NTS.
SEE NOTE #7



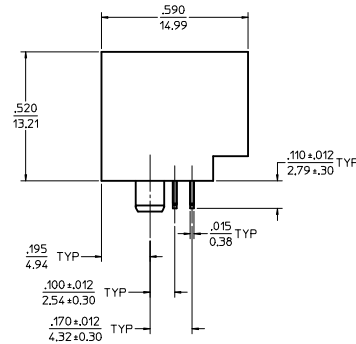
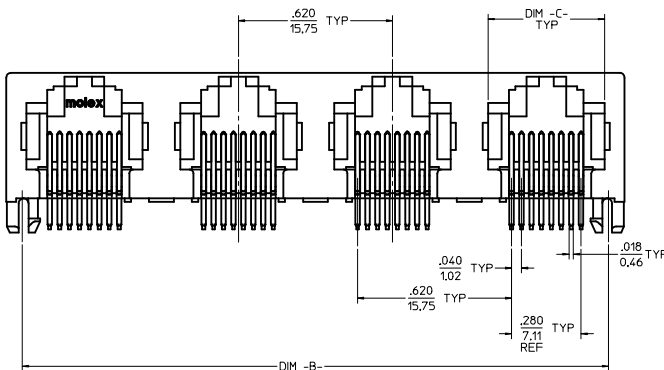
DIM -A-

8 CIRCUIT HOUSING(S)

X = NOT TOOLED	ASSEMBLY MATERIAL NUMBER	NUMBER OF CIRCUITS	NUMBER OF PORTS	PEG STYLE	DIM -A-	DIM -B-	DIM -C-
	44248-0057	8	2	SNAP-FIT	1.250/31.75	1.120/28.45	.469/11.92
	44248-0058	8	4	SNAP-FIT	2.490/63.25	2.360/59.94	.469/11.92
X	44248-0061	8	2	PRESS-FIT	1.250/31.75	1.120/28.45	.469/11.92
X	44248-0062	8	4	PRESS-FIT	2.490/63.25	2.360/59.94	.469/11.92

6 CIRCUIT HOUSING(S)

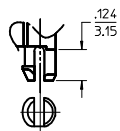
X = NOT TOOLED	ASSEMBLY MATERIAL NUMBER	NUMBER OF CIRCUITS	NUMBER OF PORTS	PEG STYLE	DIM -A-	DIM -B-	DIM -C-
X	44248-0065	6	2	SNAP-FIT	1.250/31.75	1.120/28.45	.389/9.88
X	44248-0066	4	2	SNAP-FIT	1.250/31.75	1.120/28.45	.389/9.88
X	44248-0067	6	4	SNAP-FIT	2.490/63.25	2.360/59.94	.389/9.88
X	44248-0068	4	4	SNAP-FIT	2.490/63.25	2.360/59.94	.389/9.88
X	44248-0073	6	2	PRESS-FIT	1.250/31.75	1.120/28.45	.389/9.88
X	44248-0074	4	2	PRESS-FIT	1.250/31.75	1.120/28.45	.389/9.88
X	44248-0075	6	4	PRESS-FIT	2.490/63.25	2.360/59.94	.389/9.88
X	44248-0076	4	4	PRESS-FIT	2.490/63.25	2.360/59.94	.389/9.88



- NOTES:
 1) MATERIAL:
 HOUSING: POLYESTER(PBT), GLASS FILLED, UL94V-0, COLOR: BLACK
 TERMINALS: PHOSPHOR BRONZE
 2) FINISH:
 TERMINALS:
 SELECT GOLD IN CONTACT AREA: 50 MICRONS (1.27 MICROMETERS) MIN.
 SELECT TIN IN PC TAIL AREA: 100 MICRONS (2.54 MICROMETERS) MIN.
 WITH OVERALL NICKEL UNDERPLATE: 50 MICRONS (1.27 MICROMETERS) MIN.
 3) PRODUCT SPECIFICATION AND PROCESSING PARAMETERS: PS-43860-003.
 4) PACKAGING SPECIFICATION:
 CONNECTOR ASSEMBLIES IN THERMOFORMED TRAYS PER MOLEX PACKAGING SPECIFICATION PK-44248-004.
 5) ALL UNTOLERANCED DIMENSIONS ARE SHOWN FOR REFERENCE ONLY.
 6) CONFORMS TO FCC REGULATION PART 68.5 FOR MODULAR JACKS.
 7) MODJACKS AVAILABLE WITH EITHER SNAP-FIT OR PRESS-FIT PEGS.
 THIS DRAWING SHOWS SNAP-FIT PEGS.
 8) PCB LAYOUT AND PANEL CUT-OUT SHOWN ON SHEETS (5) AND (6).
 9) THIS PART CONFORMS TO CLASS B REQUIREMENTS OF COSMETIC SPECIFICATION PS-45499-002.

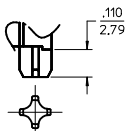
UNSHIELDED

SEE SHEET 1 DEC NO: LUCP2017-0531 DRAWN: AENG02 2016/09/08 CHKD: APPR: KLANG 2016/09/16 REV:	QUALITY SYMBOLS ∇=0 ∇=0 ∇=0	GENERAL TOLERANCES (UNLESS SPECIFIED) DIMENSION STYLE IN/MM DRAWN BY DATE MMAYO 98/10/06 CHECKED BY DATE JROBERTS 98/10/06 APPROVED BY DATE JROBERTS 98/10/06	SCALE 4:1 DESIGN UNITS INCH THIRD ANGLE PROJECTION	TITLE GANGED INVERTED MODJACK ASSEMBLY molex MATERIAL NO. SEE CHART DOCUMENT NO. SD-44248-001	SHEET NO. 3 OF 6
	DRAFT WHERE APPLICABLE MUST REMAIN WITHIN DIMENSIONS ANGULAR ±1/2° SIZE D THIS DRAWING CONTAINS INFORMATION THAT IS PROPRIETARY TO MOLEX INCORPORATED AND SHOULD NOT BE USED WITHOUT WRITTEN PERMISSION				



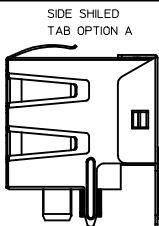
(SNAP-FIT PEG OPTION)

SCALE: NTS.
SEE NOTE #7

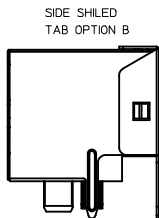


(PRESS-FIT PEG OPTION)

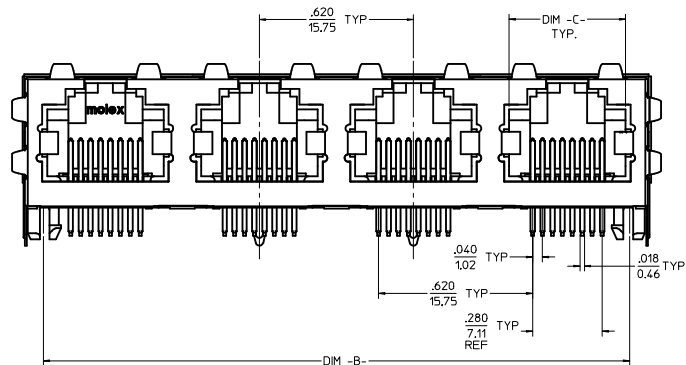
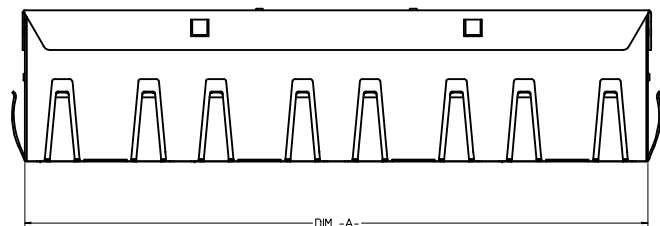
SCALE: NTS.
SEE NOTE #7



SIDE SHIELDED
TAB OPTION A



SIDE SHIELDED
TAB OPTION B



SHIELDED

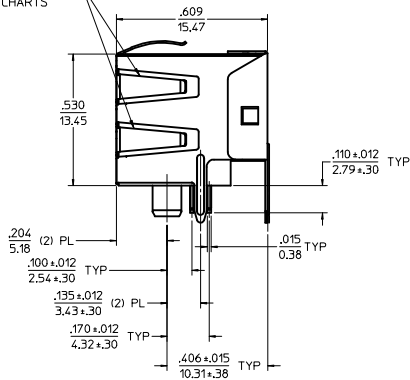
(8) CIRCUIT HOUSING(S)

X = NOT TOOLED	ASSEMBLY MATERIAL NUMBER	NUMBER OF CIRCUITS	NUMBER OF PORTS	PEG STYLE	SIDE SHIELD TAB OPTION	DIM -A-	DIM -B-	DIM -C-
	44248-0085	8	2	SNAP-FIT	A	1.274/32.36	1.120/28.45	.469/11.92
	44248-0086	8	4	SNAP-FIT	A	2.514/63.86	2.360/59.94	.469/11.92
	44248-0089	8	2	PRESS-FIT	A	1.274/32.36	1.120/28.45	.469/11.92
	44248-0090	8	4	PRESS-FIT	A	2.514/63.86	2.360/59.94	.469/11.92
X	44248-0119	8	4	PRESS FIT	B	2.514/63.86	2.360/59.94	.469/11.92

(6) CIRCUIT HOUSING(S)

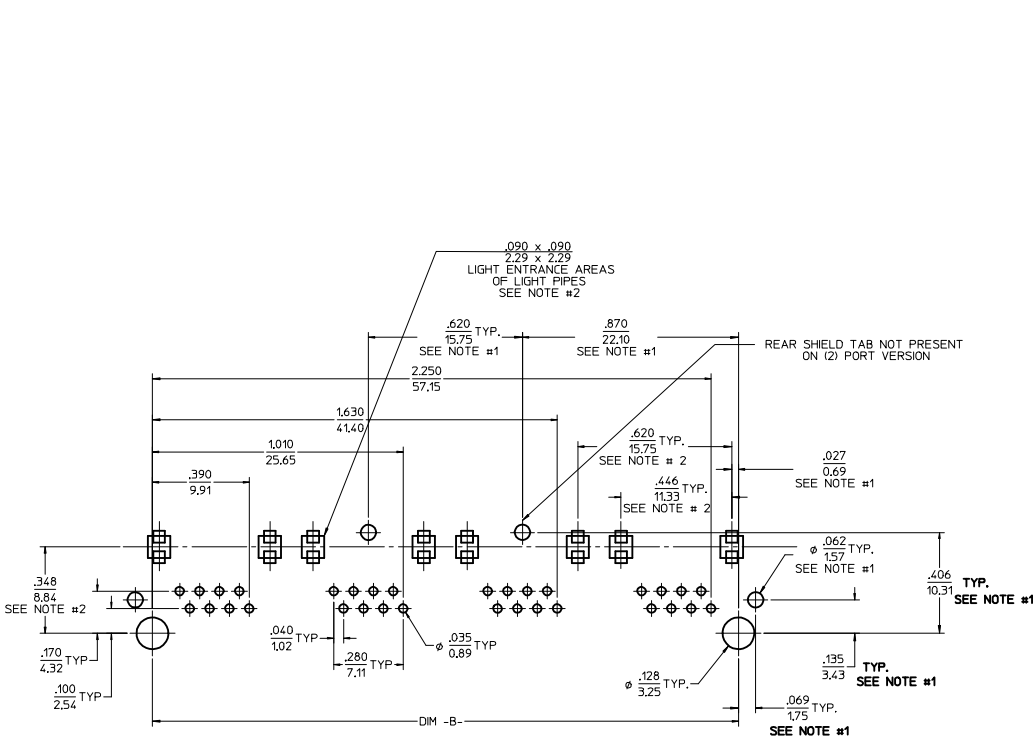
X = NOT TOOLED	ASSEMBLY MATERIAL NUMBER	NUMBER OF CIRCUITS	NUMBER OF PORTS	PEG STYLE	SIDE SHIELD TAB OPTION	DIM -A-	DIM -B-	DIM -C-
	44248-0093	6	2	SNAP-FIT	A	1.274/32.36	1.120/28.45	.389/9.88
X	44248-0094	4	2	SNAP-FIT	A	1.274/32.36	1.120/28.45	.389/9.88
	44248-0095	6	4	SNAP-FIT	A	2.514/63.86	2.360/59.94	.389/9.88
X	44248-0096	4	4	SNAP-FIT	A	2.514/63.86	2.360/59.94	.389/9.88
	44248-0101	6	2	PRESS-FIT	A	1.274/32.36	1.120/28.45	.389/9.88
X	44248-0102	4	2	PRESS-FIT	A	1.274/32.36	1.120/28.45	.389/9.88
X	44248-0103	6	4	PRESS-FIT	A	2.514/63.86	2.360/59.94	.389/9.88
X	44248-0104	4	4	PRESS-FIT	A	2.514/63.86	2.360/59.94	.389/9.88

OPTIONAL SIDE SHIELD TABS SEE CHARTS

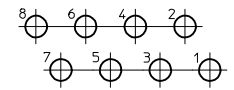
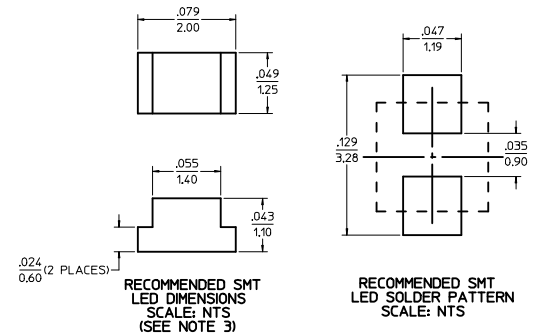


- NOTES:
- MATERIAL: HOUSING: POLYESTER(PBT), GLASS FILLED, UL94V-0, COLOR: BLACK
TERMINALS: PHOSPHOR BRONZE
SHIELD: BRASS
 - FINISH: SELECT GOLD IN CONTACT AREA: 50 MICRONCHES (1.27 MICROMETERS) MIN., SELECT TIN IN PC TAIL AREA: 100 MICRONCHES (2.54 MICROMETERS) MIN., WITH OVERALL NICKEL UNDERPLATE: 50 MICRONCHES (1.27 MICROMETERS) MIN.
SHIELD: 100 MICRONCHES (2.54 MICROMETERS) NICKEL OVER 50 MICRONCHES (1.27 MICROMETERS) COPPER UNDERPLATE PCB GROUND TABS DIPPED IN TIN
 - PRODUCT SPECIFICATION AND PROCESSING PARAMETERS: PS-43860-003.
 - PACKAGING SPECIFICATION: CONNECTOR ASSEMBLIES IN THERMOFORMED TRAYS PER MOLEX PACKAGING SPECIFICATION PK-44248-004.
 - ALL UNTOLERANCED DIMENSIONS ARE SHOWN FOR REFERENCE ONLY.
 - CONFORMS TO FCC REGULATION PART 68.5 FOR MODULAR JACKS.
 - MODJACKS AVAILABLE WITH EITHER SNAP-FIT OR PRESS-FIT PEGS. THIS DRAWING SHOWS SNAP-FIT PEGS.
 - PCB LAYOUT AND PANEL CUT-OUT SHOWN ON SHEETS (5) AND (6).
 - THIS PART CONFORMS TO CLASS B REQUIREMENTS OF COSMETIC SPECIFICATION PS-45499-002.

SEE SHEET 1 ILEC NO: UCP2017-0531 DRAWN BY: DRWNAFENG02 ICHKD: 2016/09/16 APPR: KLANG REV: C6	QUALITY SYMBOLS ∇=0 ∇=0 ∇=0	GENERAL TOLERANCES (UNLESS SPECIFIED) <table border="1"> <thead> <tr> <th></th> <th>mm</th> <th>INCH</th> </tr> </thead> <tbody> <tr> <td>4 PLACES</td> <td>±.005</td> <td>±.0005</td> </tr> <tr> <td>3 PLACES</td> <td>±.010</td> <td>±.0010</td> </tr> <tr> <td>2 PLACES</td> <td>±.025</td> <td>±.0025</td> </tr> <tr> <td>1 PLACE</td> <td>±.050</td> <td>±.0050</td> </tr> <tr> <td>0 PLACE</td> <td>±.100</td> <td>±.0100</td> </tr> </tbody> </table> ANGULAR ±1/2° DRAFT WHERE APPLICABLE MUST REMAIN WITHIN DIMENSIONS		mm	INCH	4 PLACES	±.005	±.0005	3 PLACES	±.010	±.0010	2 PLACES	±.025	±.0025	1 PLACE	±.050	±.0050	0 PLACE	±.100	±.0100	DIMENSION STYLE IN/MM DRAWN BY: MMAYO DATE: 98/10/06 CHECKED BY: JROBERTS DATE: 98/10/06 APPROVED BY: JROBERTS DATE: 98/10/06	SCALE: 4:1 DESIGN UNITS: INCH THIRD ANGLE PROJECTION	TITLE: GANGED INVERTED MODJACK ASSEMBLY molex DOCUMENT NO.: SD-44248-001 SHEET NO.: 4 OF 6
		mm	INCH																				
4 PLACES	±.005	±.0005																					
3 PLACES	±.010	±.0010																					
2 PLACES	±.025	±.0025																					
1 PLACE	±.050	±.0050																					
0 PLACE	±.100	±.0100																					
THIS DRAWING CONTAINS INFORMATION THAT IS PROPRIETARY TO MOLEX INCORPORATED AND SHOULD NOT BE USED WITHOUT WRITTEN PERMISSION																							

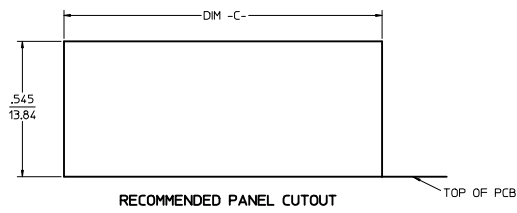


8 CIRCUIT PCB LAYOUT: COMPONENT SIDE
 RECOMMENDED PCB THICKNESS: .062/157
 TOLERANCE $\pm .003/.076$ UNLESS OTHERWISE SPECIFIED



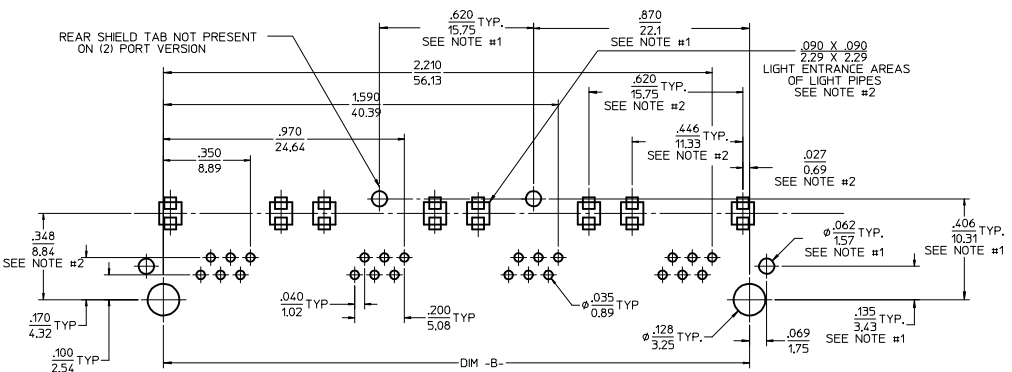
TYPICAL PC TERMINAL HOLE LAYOUT
 (8) CIRCUIT CONFIGURATION
 SCALE: 10:1

- NOTES:
- 1) DIMENSIONS MARKED "SEE NOTE #1" REFER TO ASSEMBLIES WITH THE SHIELDING OPTION INCLUDED
 - 2) DIMENSIONS MARKED "SEE NOTE #2" REFER TO ASSEMBLIES WITH THE LIGHT PIPE OPTION INCLUDED
 - 3) FOR CROSS REFERENCE OF RECOMMENDED LEADS SEE MOLEX WEB SITE.

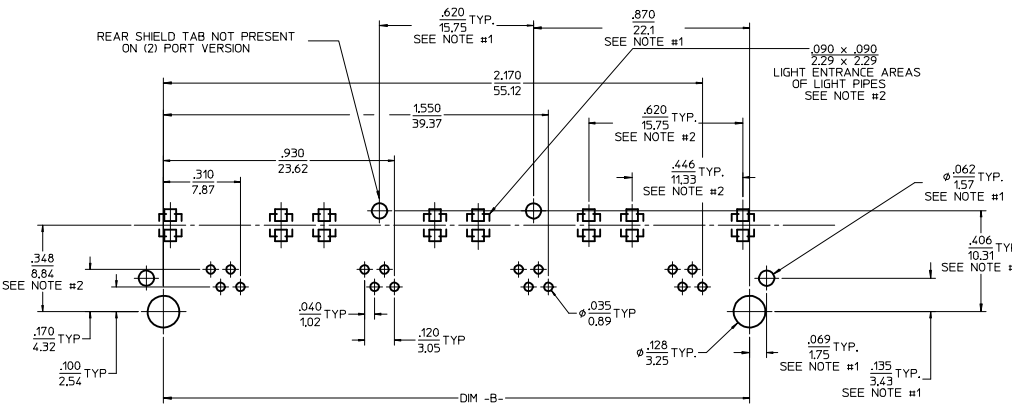


NUMBER OF PORTS	DIM -B-	DIM -C-
2	1.120/28.45	1.280/32.51
4	2.360/59.94	2.520/64.01

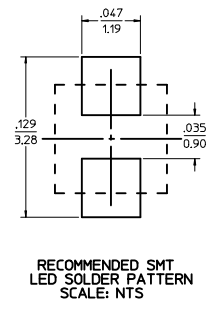
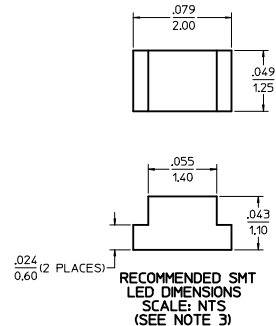
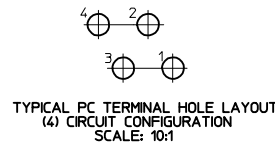
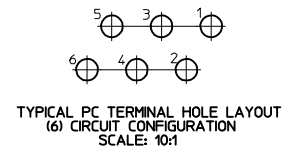
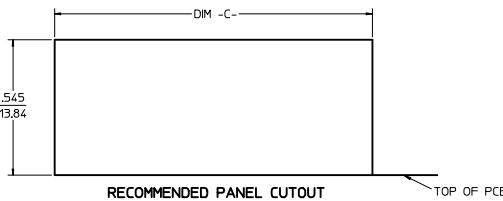
SEE SHEET 1 IEC NO: LUCP2017-0531 DRAWN: AENG02 2016/09/08 CHKD: APPR: KLANG REV:	QUALITY SYMBOLS	GENERAL TOLERANCES (UNLESS SPECIFIED)	DIMENSION STYLE	SCALE	DESIGN UNITS	THIRD ANGLE PROJECTION	
	$\nabla=0$ $\nabla=0$ $\nabla=0$	4 PLACES \pm --- \pm INCH 3 PLACES \pm --- \pm .010 2 PLACES \pm 0.25 \pm --- 1 PLACE \pm --- \pm --- 0 PLACE \pm --- \pm ---	IN/MM 4:1 INCH	DRAWN BY: MMAYO CHECKED BY: JROBERTS APPROVED BY: JROBERTS DATE: 98/10/06 DATE: 98/10/06 DATE: 98/10/06	TITLE: GANGED INVERTED MODJACK ASSEMBLY	MATERIAL NO.: N/A DOCUMENT NO.: SD-44248-001	SHEET NO.: 5 OF 6
	DRAFT WHERE APPLICABLE MUST REMAIN WITHIN DIMENSIONS		ANGLULAR $\pm 1/2^\circ$	THIS DRAWING CONTAINS INFORMATION THAT IS PROPRIETARY TO MOLEX INCORPORATED AND SHOULD NOT BE USED WITHOUT WRITTEN PERMISSION			



6 CIRCUIT PCB LAYOUT: COMPONENT SIDE
RECOMMENDED PCB THICKNESS: .062/157
TOLERANCE +.003/.076 UNLESS OTHERWISE SPECIFIED



4 CIRCUIT PCB LAYOUT: COMPONENT SIDE
RECOMMENDED PCB THICKNESS: .062/157
TOLERANCE +.003/.076 UNLESS OTHERWISE SPECIFIED



- NOTES:
- 1) DIMENSIONS MARKED "SEE NOTE #1" REFER TO ASSEMBLIES WITH SHIELDING OPTION INCLUDED
 - 2) DIMENSIONS MARKED "SEE NOTE #2" REFER TO ASSEMBLIES WITH THE LIGHT PIPE OPTION INCLUDED
 - 3) FOR CROSS REFERENCE OF RECOMMENDED LEDS SEE MOLEX WEB SITE.

NUMBER OF PORTS	DIM -B-	DIM -C-
2	1.120/28.45	1.280/32.51
4	2.360/59.94	2.520/64.01

SEE SHEET 1 SEC NO: UCP2017-0531 DRAWN: FENG02 2016/09/08 CHKD: APPR: KLJANG REV: 2016/09/16	QUALITY SYMBOLS	GENERAL TOLERANCES (UNLESS SPECIFIED)	DIMENSION STYLE	SCALE	DESIGN UNITS	THIRD ANGLE PROJECTION
	∇=0 ∇=0 ∇=0	4 PLACES ±---+--- 3 PLACES ±---+--- 2 PLACES ±0.25+--- 1 PLACE ±---+--- 0 PLACE ±---+---	mm INCH ±--- ±--- ±--- ±0.10 ±--- ±--- ±--- ±--- ±--- ±---	IN/MM DRAWN BY DATE M MAYO 98/10/06 CHECKED BY DATE J ROBERTS 98/10/06 APPROVED BY DATE J ROBERTS 98/10/06	4:1	INCH
		ANGULAR ±1/2° DRAFT WHERE APPLICABLE MUST REMAIN WITHIN DIMENSIONS	MATERIAL NO. N/A	DOCUMENT NO. SD-44248-001	SHEET NO. 6 OF 6	
			SIZE D	THIS DRAWING CONTAINS INFORMATION THAT IS PROPRIETARY TO MOLEX INCORPORATED AND SHOULD NOT BE USED WITHOUT WRITTEN PERMISSION		