

THIS DRAWING IS UNPUBLISHED.

RELEASED FOR PUBLICATION

-. -. .

REVISIONS

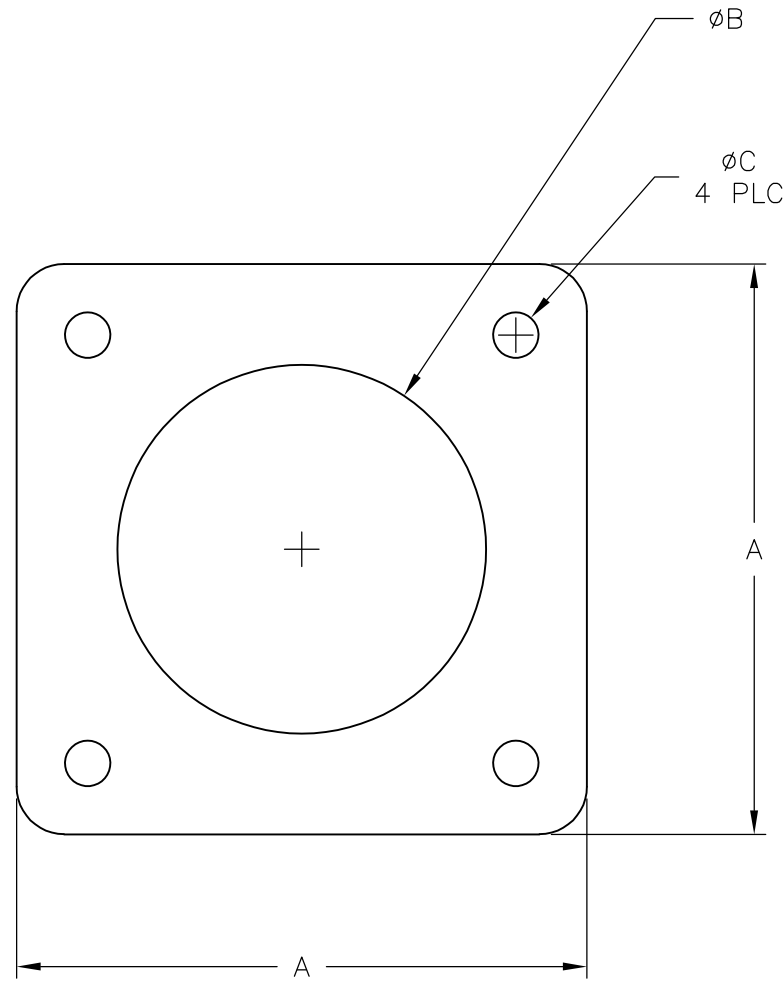
© COPYRIGHT - By -

ALL RIGHTS RESERVED.


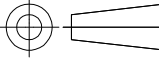
P	LTR	DESCRIPTION	DATE	DWN	APVD
	C1	REVISED PER ECO-11-004820	11MAR11	RK	HMR
	D	REVISED PER ECO-17-000037	10MAR2017	RS	MZ

NOTES:

- ① MATERIAL: NEOPRENE, BLACK.
- ② OBSOLETE PART NUMER.



②	.125	1.030	1.185	14	81665-8
②	.120	1.110	1.530	22	81665-7
②	.142	1.492	1.950	28	81665-6
	.145	1.488	1.875	23	81665-5
	.120	.862	1.375	13	81665-4
	.120	.737	1.188	11	81665-3
	.145	1.100	1.500	17	81665-2
	.120	.970	1.500	-	81665-1
	C	B	A	CPC SHELL SIZE	PART NO.

THIS DRAWING IS A CONTROLLED DOCUMENT.		DWN S SCHLEGEL 16JUL03	 STE TE Connectivity		
DIMENSIONS: INCHES		CHK S HEADER 7/16/03			
		APVD S HEADER 7/16/03	NAME GASKET, FLANGE, CPC		
TOLERANCES UNLESS OTHERWISE SPECIFIED:		PRODUCT SPEC	RESTRICTED TO		
0 PLC ± - 1 PLC ± - 2 PLC ± - 3 PLC ± .015 4 PLC ± - ANGLES ± -		APPLICATION SPEC	SIZE	CAGE CODE	DRAWING NO
MATERIAL		WEIGHT	A3	00779	C-81665
FINISH		CUSTOMER DRAWING		SCALE	SHEET
①				NTS	1 OF 1
				REV	D

Mouser Electronics

Authorized Distributor

Click to View Pricing, Inventory, Delivery & Lifecycle Information:

[TE Connectivity:](#)

[81665-3](#)