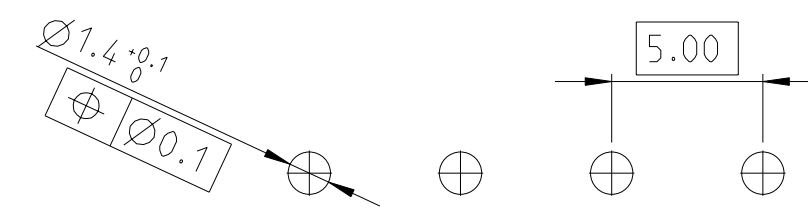
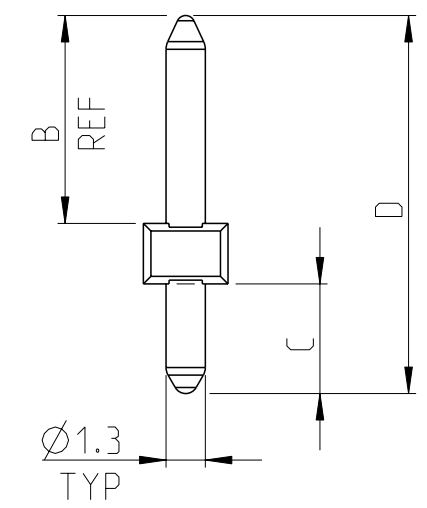
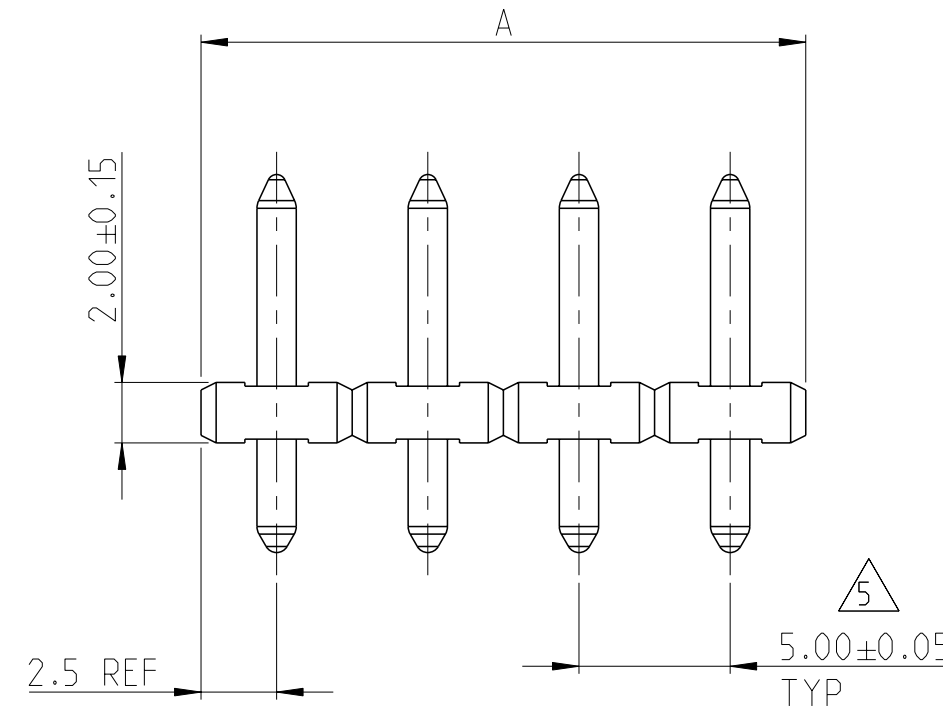
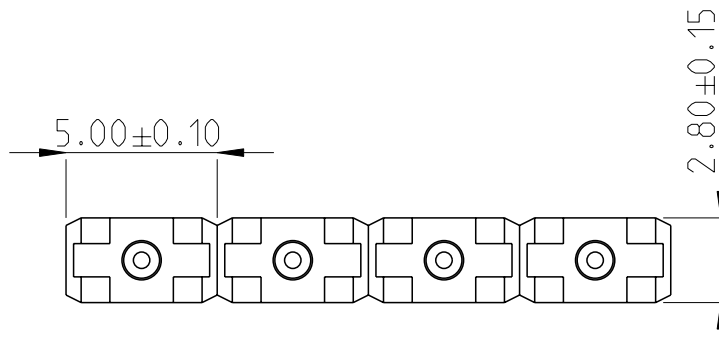


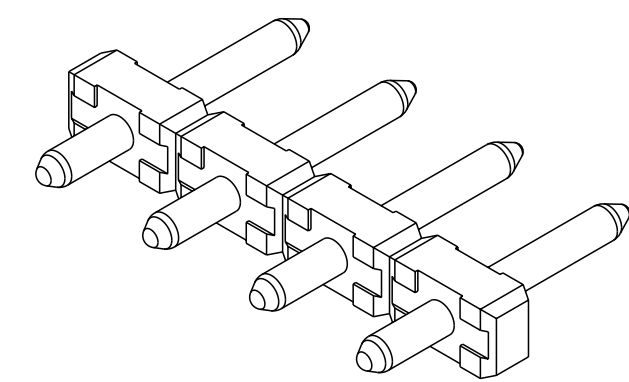
THIS DRAWING IS UNPUBLISHED. RELEASED FOR PUBLICATION 20
 © COPYRIGHT 20 BY - ALL RIGHTS RESERVED.

LOC	DIST	REVISIONS					
FT	0	P	LTR	DESCRIPTION	DATE	DWN	APVD
		H5		HOUSING MATERIAL DETAIL CORRECTED	05DEC2014	PS	JK
		H6		CORRECTION IN TABLE	08NOV2016	FP	NG



RECOMMENDED PC BOARD LAYOUT

TERMINAL PLATING	D	C	B	A	NO OF POSN	PART NUMBER					
TIN	20.5	4.5	14	30	6	4-282832-0					
PRELIMINARY	TIN	20.5	3.5	15	20	4	3-282832-9				
PRELIMINARY	TIN	20.5	3.5	15	15	3	3-282832-8				
TIN	16.5	3.5	11	20	4	3-282832-7					
					3	3-282832-6					
					4	3-282832-5					
					3	3-282832-4					
					3	3-282832-3					
					2	3-282832-2					
					GOLD	12.5	3.5	7	15	3	2-282832-7
										25	2-282832-6
										24	2-282832-5
										23	2-282832-4
22	2-282832-3										
21	2-282832-2										
20	2-282832-1										
19	2-282832-0										
18	1-282832-9										
17	1-282832-8										
TIN	16.5	3.5	11	40	8	1-282832-7					
					15	1-282832-6					
					14	1-282832-5					
					13	1-282832-4					
					12	1-282832-3					
					11	1-282832-2					
					10	1-282832-1					
					10	1-282832-0					
					9	282832-9					
					8	282832-8					
TIN	12.5	3.5	7	35	7	282832-7					
					6	282832-6					
					5	282832-5					
					4	282832-4					
					3	282832-3					
					2	282832-2					
					20	282832-4					
					15	282832-3					
					10	282832-2					



282832-4 AS SHOWN

- MATERIALS AND FINISH:**
 HOUSING: PA 4T, UL 94-V0, COLOR GREEN
 TERMINAL: BRASS, PLATING: SEE TABLE.
- MECHANICAL**
 MAX. INSERTION FORCE PER POLE : 3N
 MIN. WITHDRAWAL FORCE PER POLE : 1.5N
 MIN. PC BOARD HOLES DIAMETER : 1.4mm
 MAX. PC BOARD THICKNESS : 2.4mm
- ELECTRICAL**
 MAX. VOLTAGE : 300 V
 MAX CURRENT : 15 A
 CONTACT RESISTANCE : < 15 m Ohm
 INSULATION RESISTANCE : > 1000 M Ohm (500V DC)
- OPERATING TEMPERATURE RANGE:** -40°C TO +110°C
- TOLERANCE NOT CUMULATIVE.**
- END-TO-END STACKABLE WITHOUT LOSS OF CENTERLINE SPACING.**
- RECOGNIZED UNDER THE COMPONENT PROGRAM OF UNDERWRITERS LABORATORIES INC. FILE N° E60677.**

THIS DRAWING IS A CONTROLLED DOCUMENT.

DWN: E. ZANOLINI 14 AUG 2001
 CHK: D. BIEVENOUR 14 AUG 2001
 APVD: D. BIEVENOUR 14 AUG 2001

STE TE Connectivity

NAME: TERMINAL BLOCK PIN HEADER UNSHROUDED 5.0 mm PITCH

PRODUCT SPEC: 108-20166
 APPLICATION SPEC: 114-20079

SIZE: A2 CAGE CODE: 00779 DRAWING NO: C-282832 RESTRICTED TO: -

MATERIAL: 1 TOLERANCES UNLESS OTHERWISE SPECIFIED: 1

CUSTOMER DRAWING SCALE: 4:1 SHEET: 1 OF 1 REV: H6

Mouser Electronics

Authorized Distributor

Click to View Pricing, Inventory, Delivery & Lifecycle Information:

[TE Connectivity:](#)

[282832-7](#)