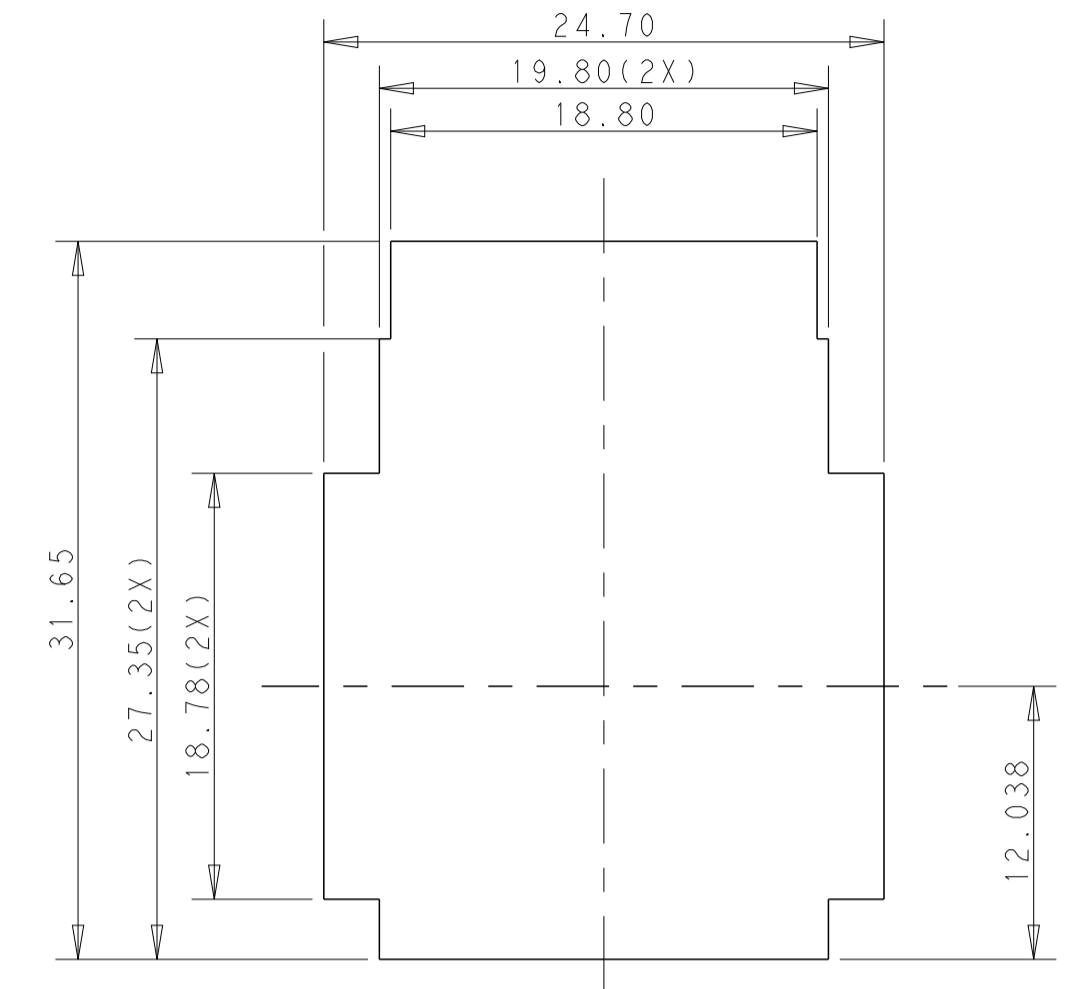
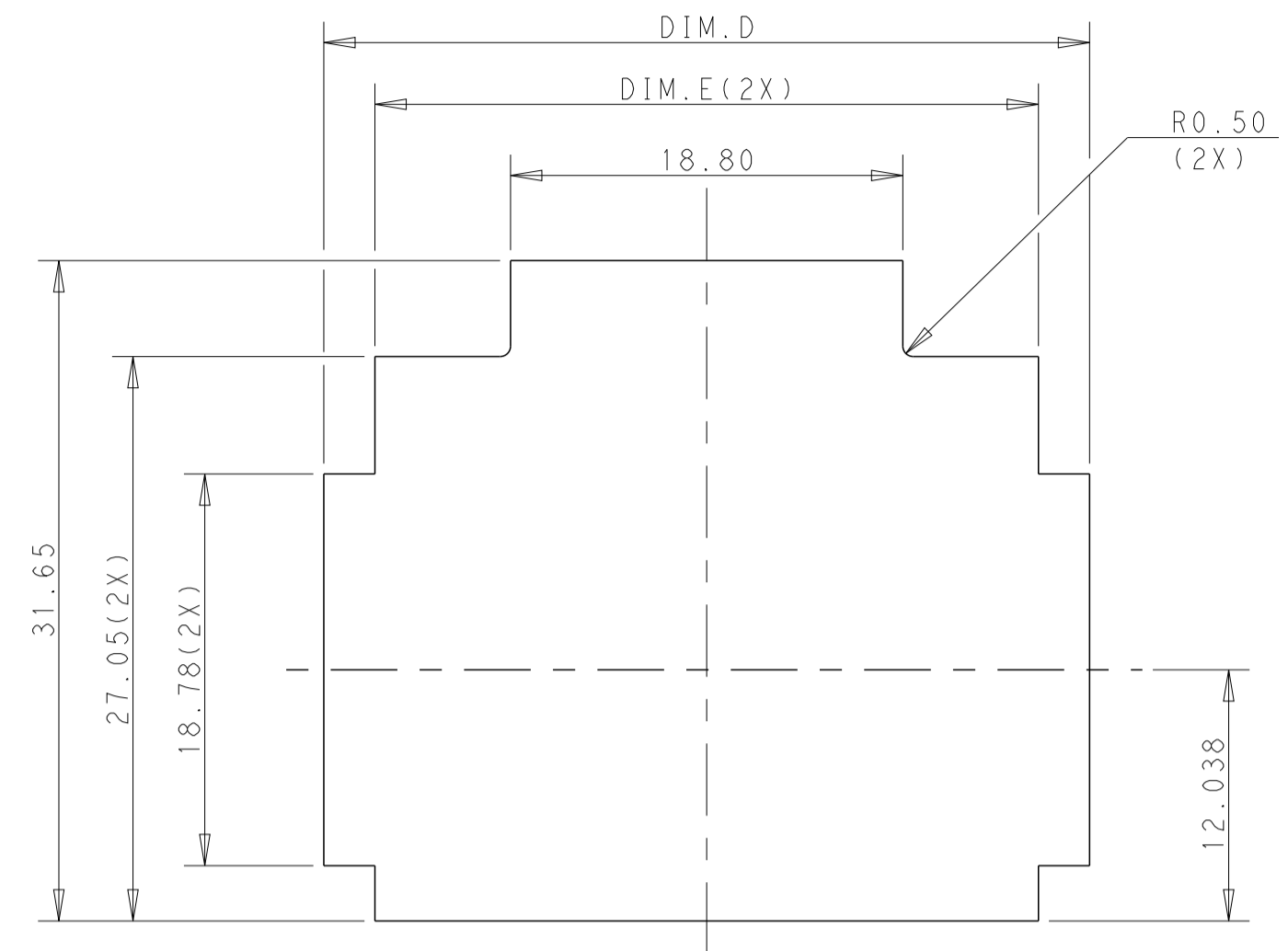
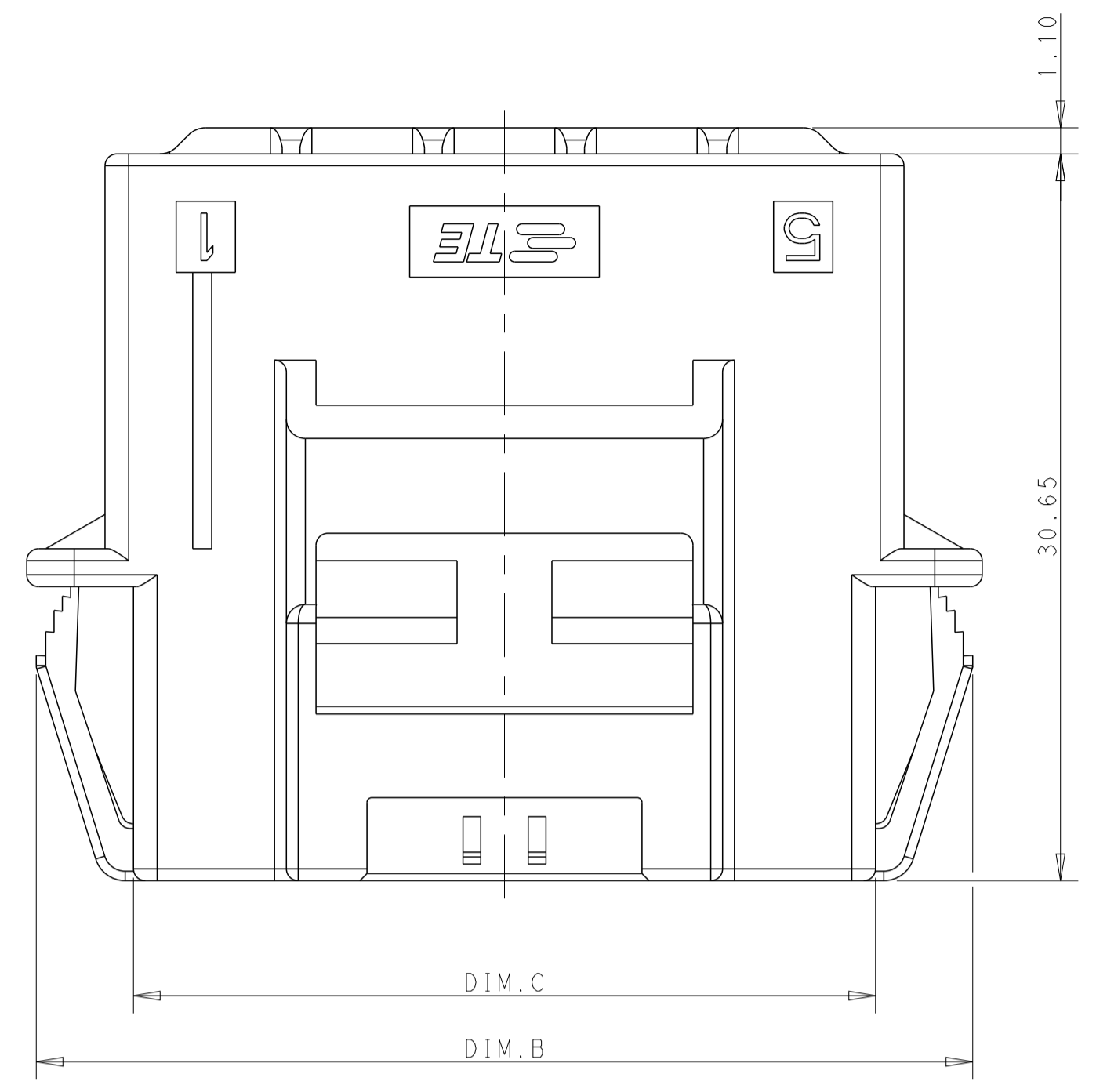
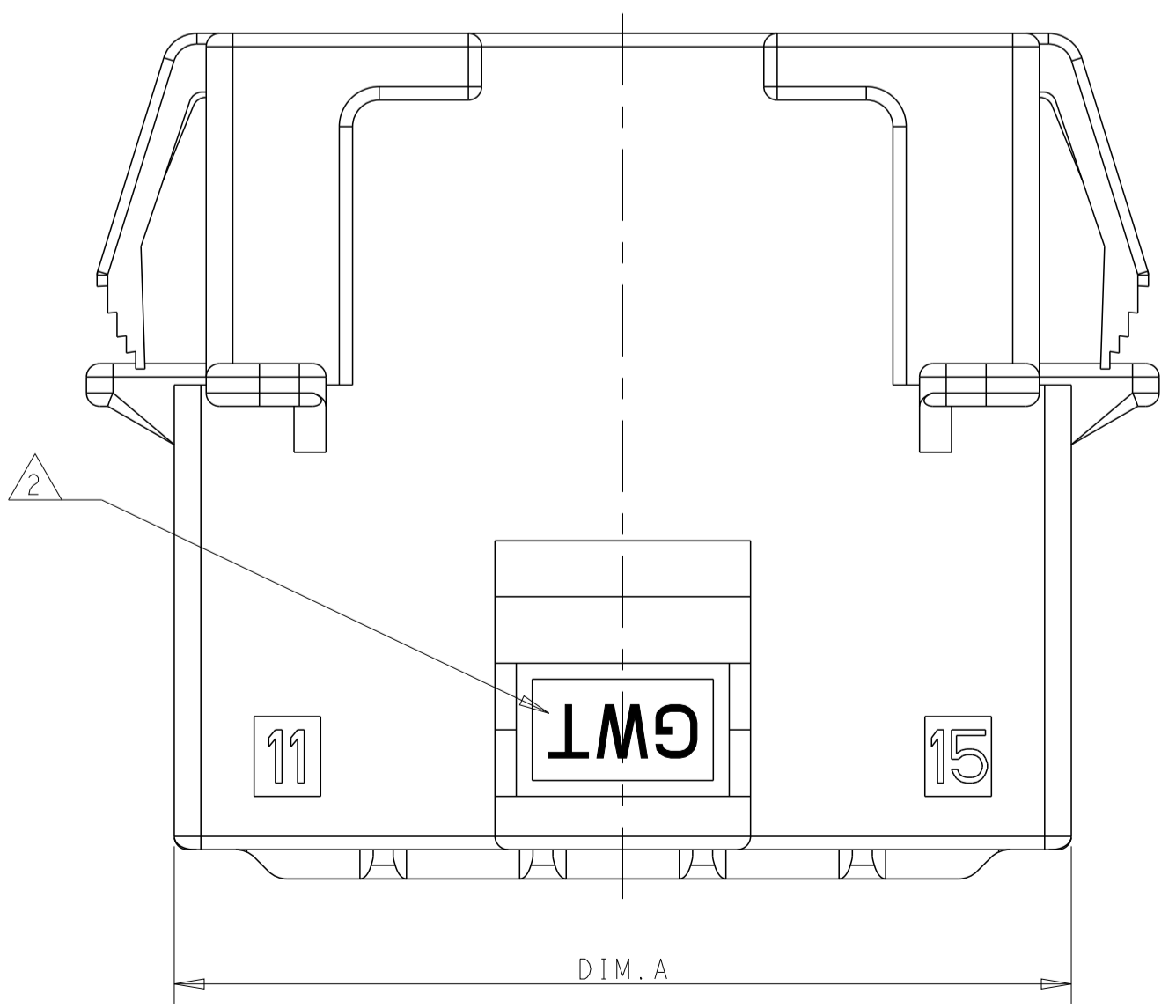
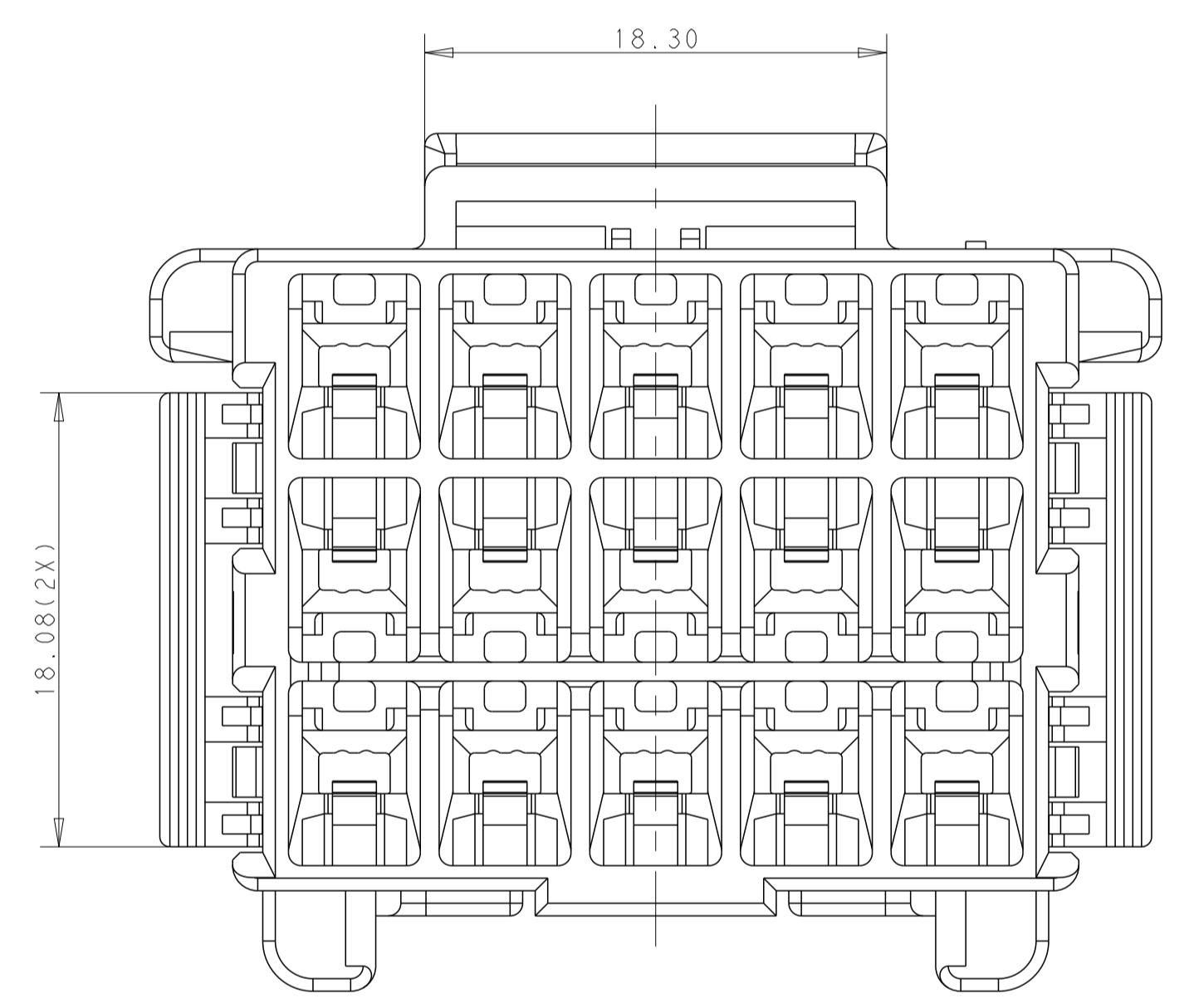
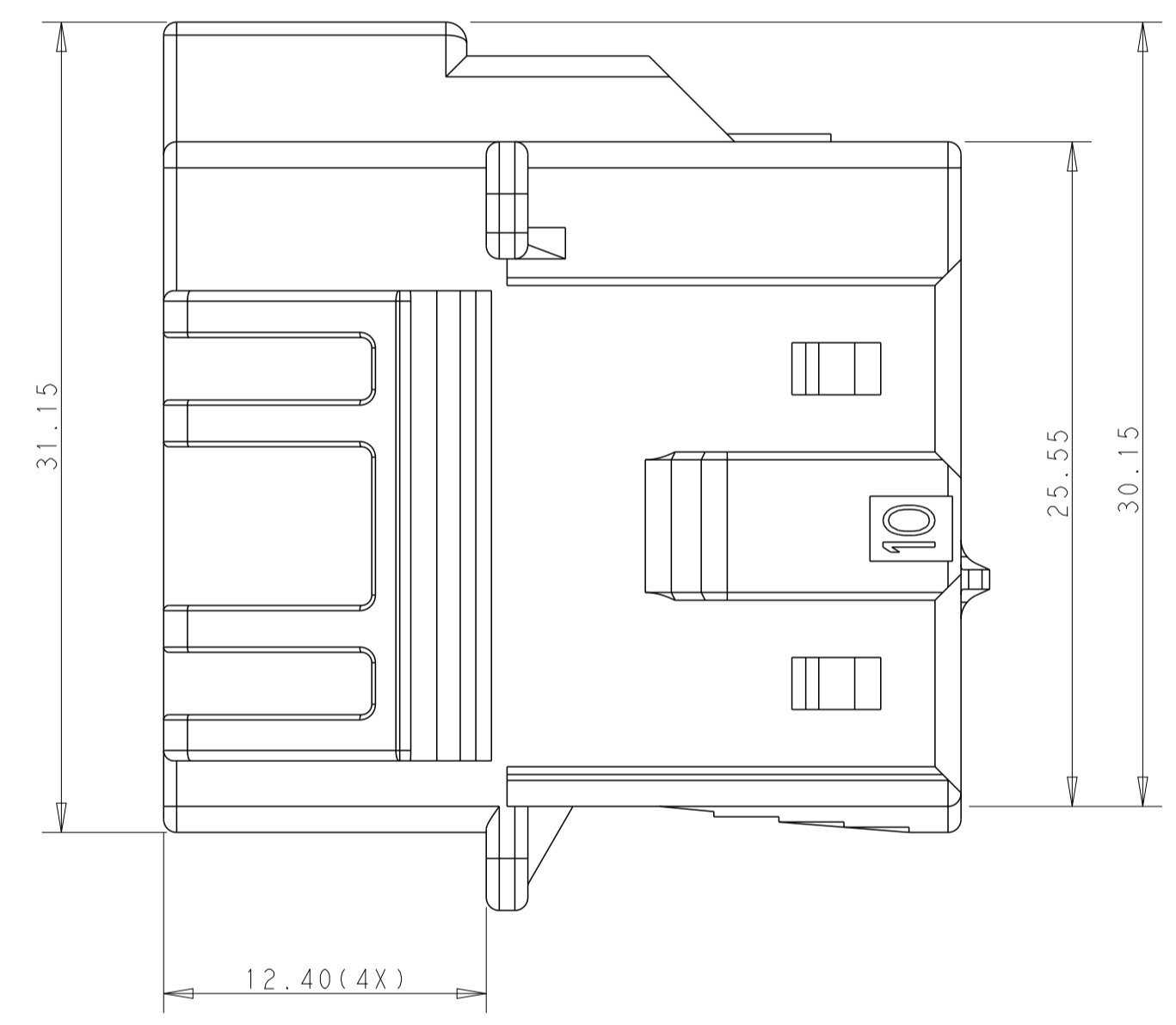
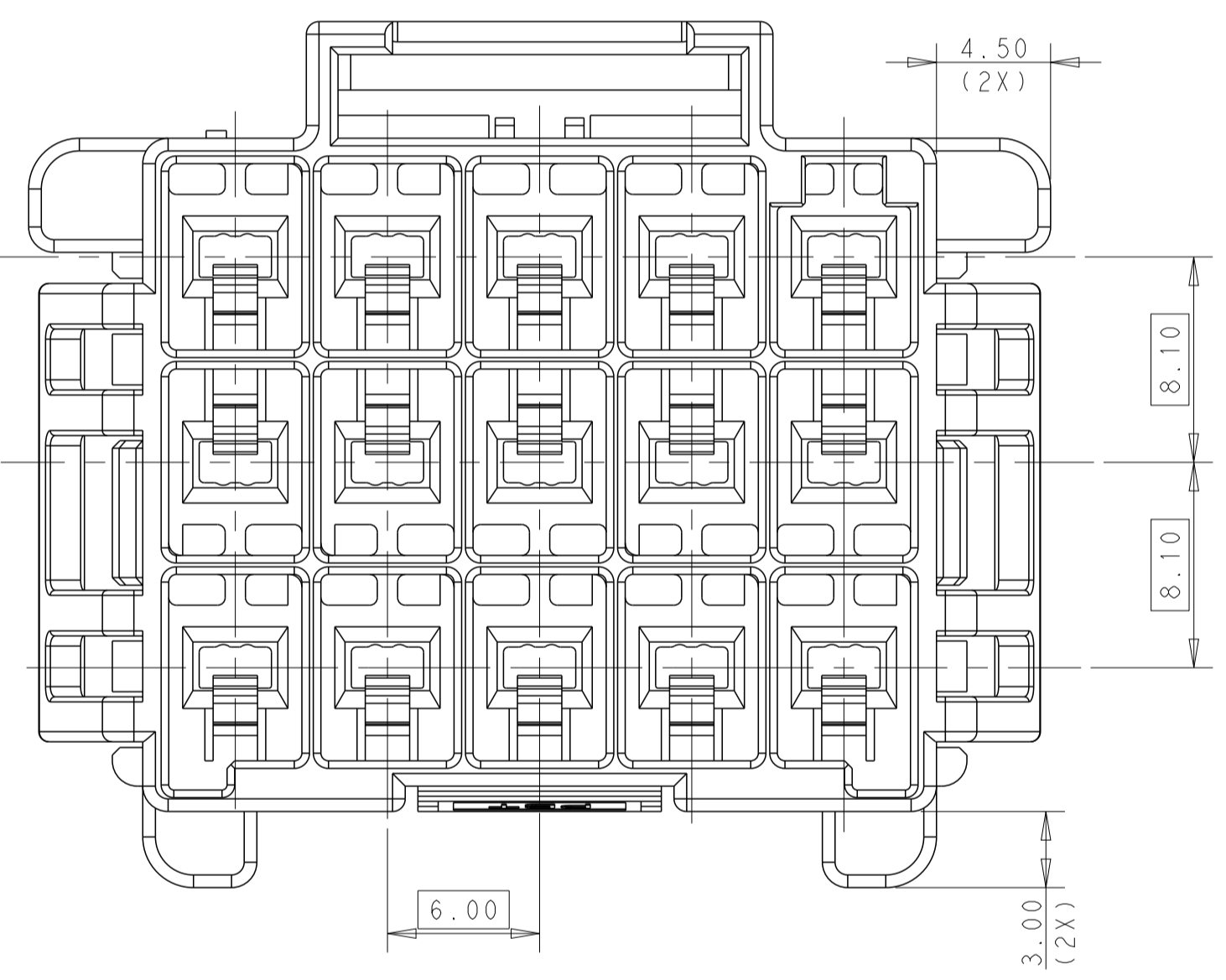


LOC		DIST		REVISIONS			
P	LTN	DESCRIPTION	DATE	DWN	APVD		
B		REVISED PER ECR-16-003314	18JUL2016	BW	GJ		



RECOMMENDED PANEL OPENING DIMENSIONS FOR CAP HOUSING 3*5 AND 3*4 POSITIONS (TOLERANCE: ±0.15mm)

RECOMMENDED PANEL OPENING DIMENSIONS FOR CAP HOUSING 3*3 POSITION (TOLERANCE: ±0.15mm)



- NOTE
- MATERIAL:
 - LEVEL A: PA6 GLASS FILLED, COMPLY WITH GLOW WIRE REQUIREMENTS FOR PARTS OF NON-METALLIC MATERIAL SUPPORTING A CURRENT-CARRYING CONNECTION DETAILED IN IEC 60335-1, SECTION 30 (GWT), UL 94V-0
 - LEVEL B: PBT GLASS FILLED, HOT WIRE IGNITION (HWI) VERSION ARE MOLDED IN A RESIN THAT COMPLIES WITH TE HOT WIRE IGNITION TEST 109-32026 AND ARE RECOMMENDED FOR USE WITH HWI HOUSINGS THAT ALSO COMPLY, UL 94V-0
 - MATERIAL MARK:
 - LEVEL A:GWT,LEVEL B:HWT
 - APPLICABLE CONTACT P/N
 - TAB CONTACT:1971238/1971780/82/84/86/88-*
 - MATING CONN. P/N
 - PLUG HSG: *-2232357-*
 - TPA SINGLE ROW: *-1971777-*
 - TPA DOUBLE ROW: *-1971777-*
 - RECOMMENDED PANEL THICKNESS:1.0~2.0mm
 - This product has not completed validation testing.

POS	A	B	C	D	E
3*5	33.70	39.5	31.30	36.70	31.80
3*4	27.70	33.5	25.30	30.70	25.80
3*3	21.70	27.5	19.30		

THIS DRAWING IS A CONTROLLED DOCUMENT.

DIMENSIONS:	TOLERANCES UNLESS OTHERWISE SPECIFIED:	DWN	TOMMY WU	26MAR2013
mm	0 PLC ±	CHK	HAPYE WU	26MAR2013
	1 PLC ±0.35	APVD	YUHONG MAO	26MAR2013
	2 PLC ±0.25	PRODUCT SPEC		
	3 PLC ±	APPLICATION SPEC		
	4 PLC ±	114-106118		
	ANGLES ±	WEIGHT		
MATERIAL	FINISH	Customer Drawing		

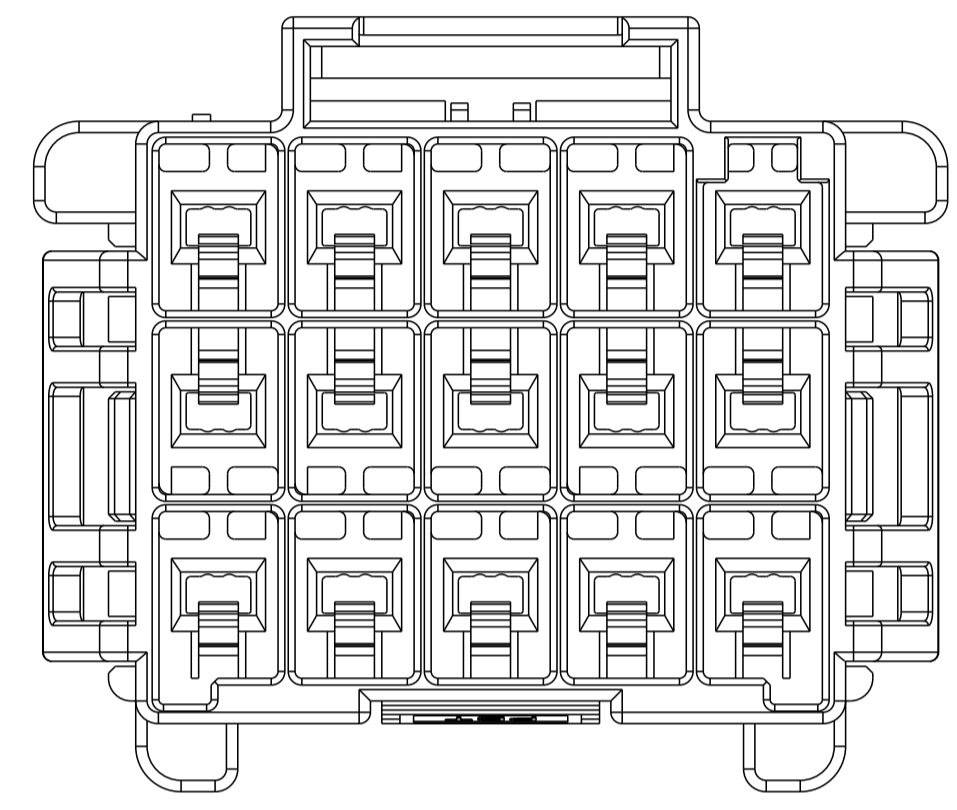
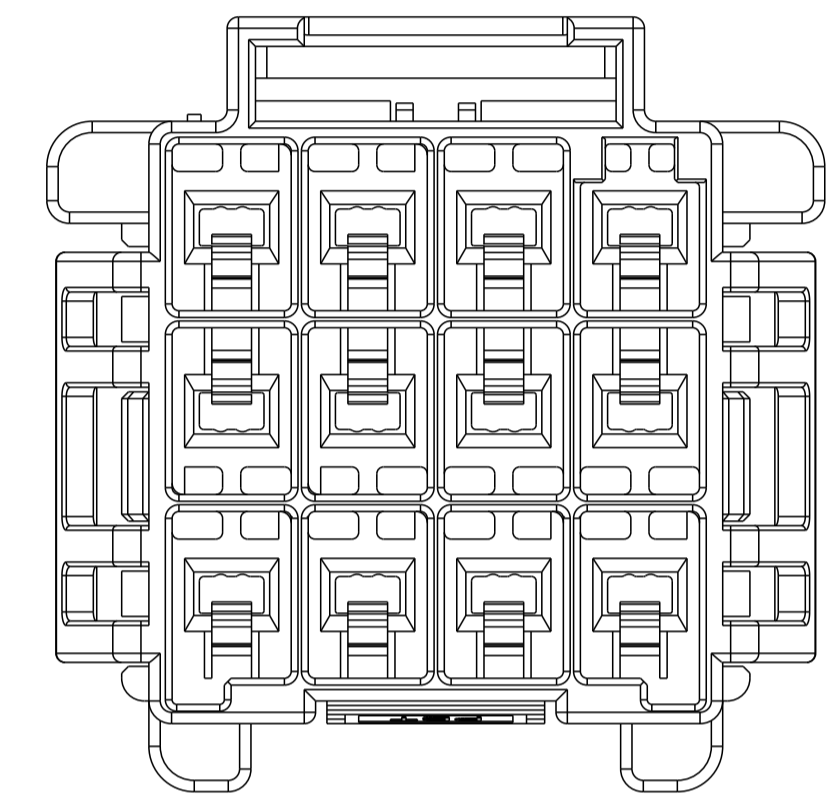
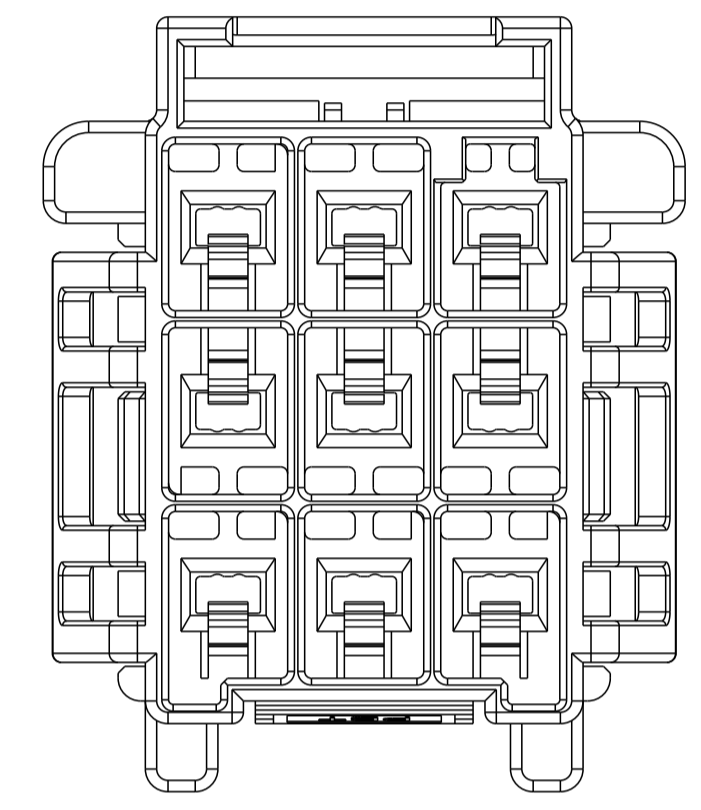
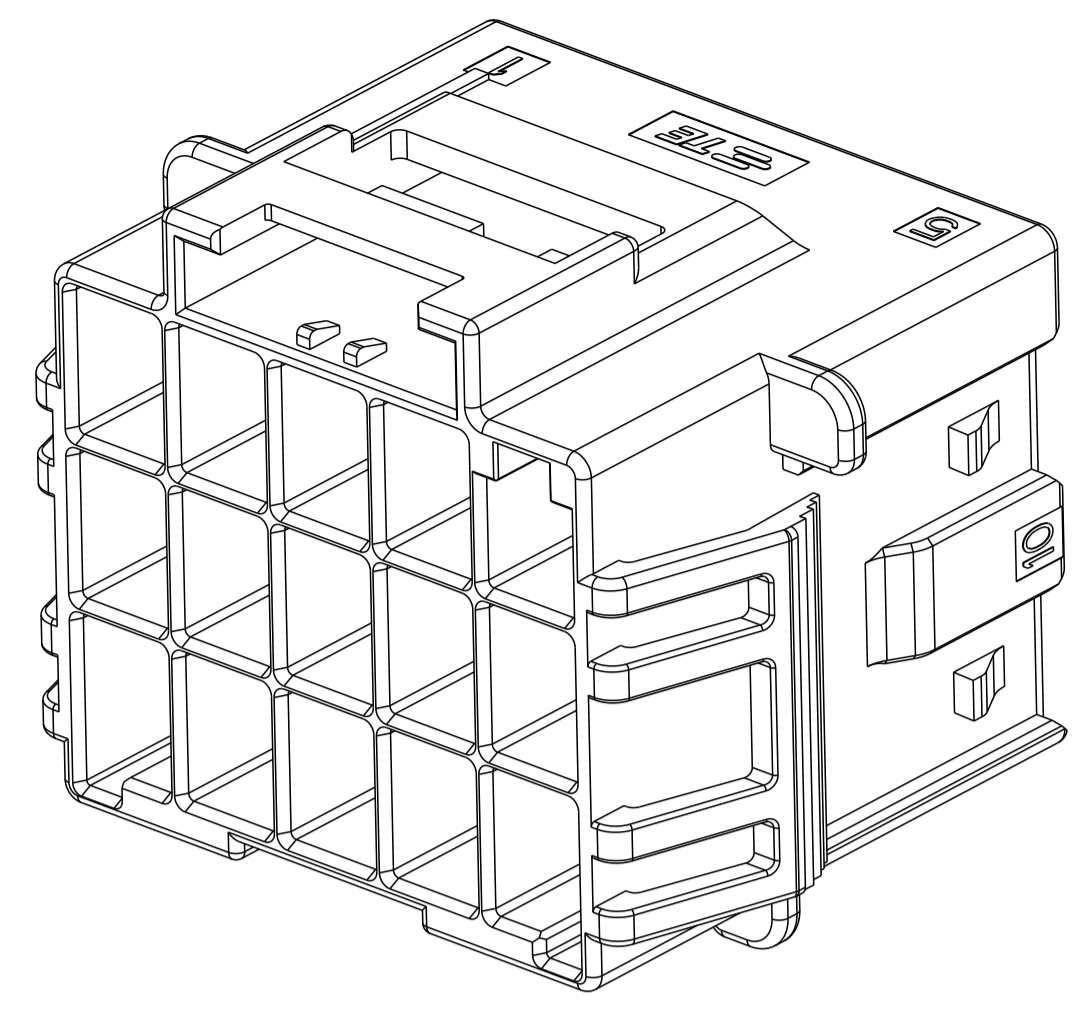
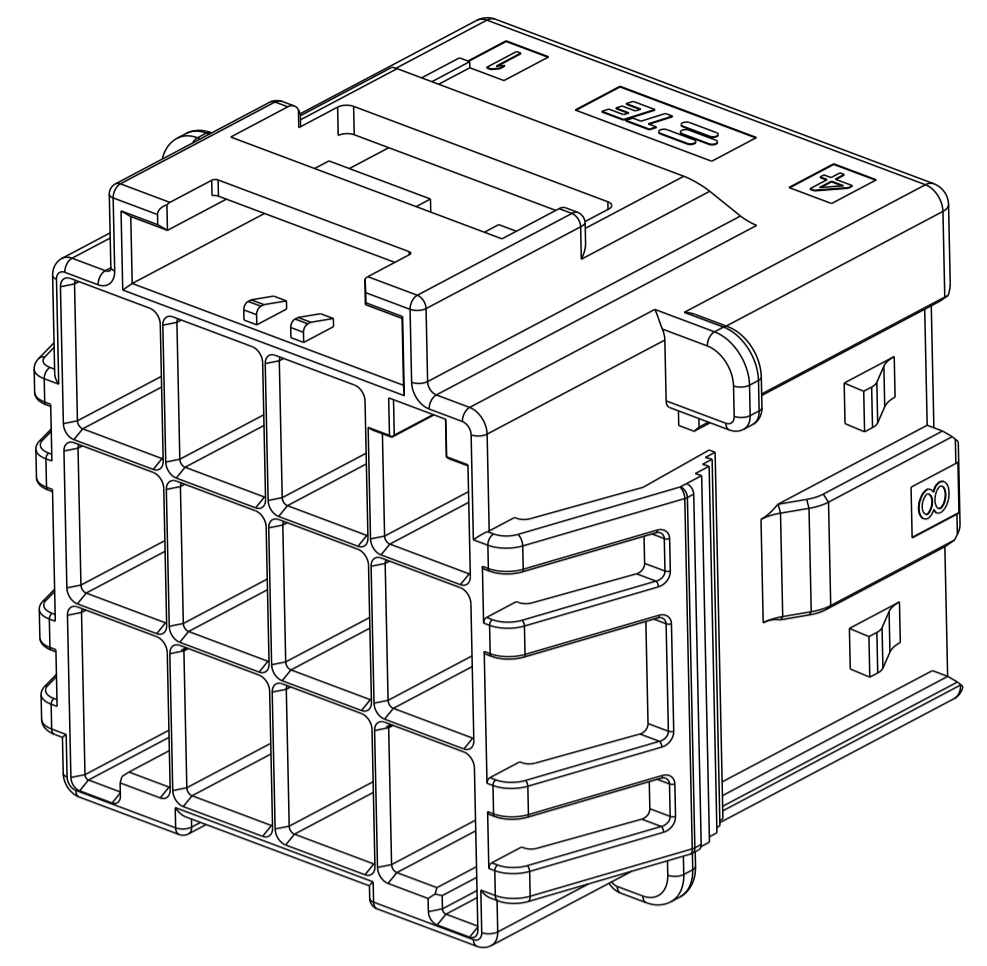
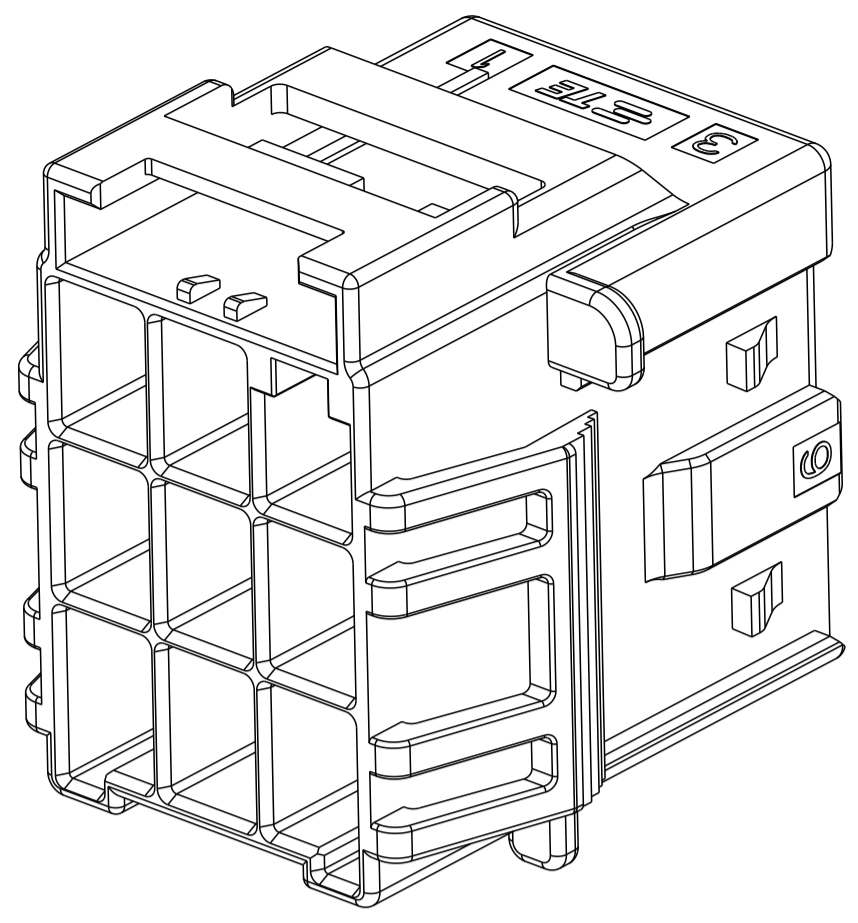
TE Connectivity

NAME: CAP HOUSING, PANEL MOUNT, TRIPLE ROW POWER TRIPLE LOCK

SIZE: A100779 C=2232356

SCALE: SHEET 1 OF 2 REV B

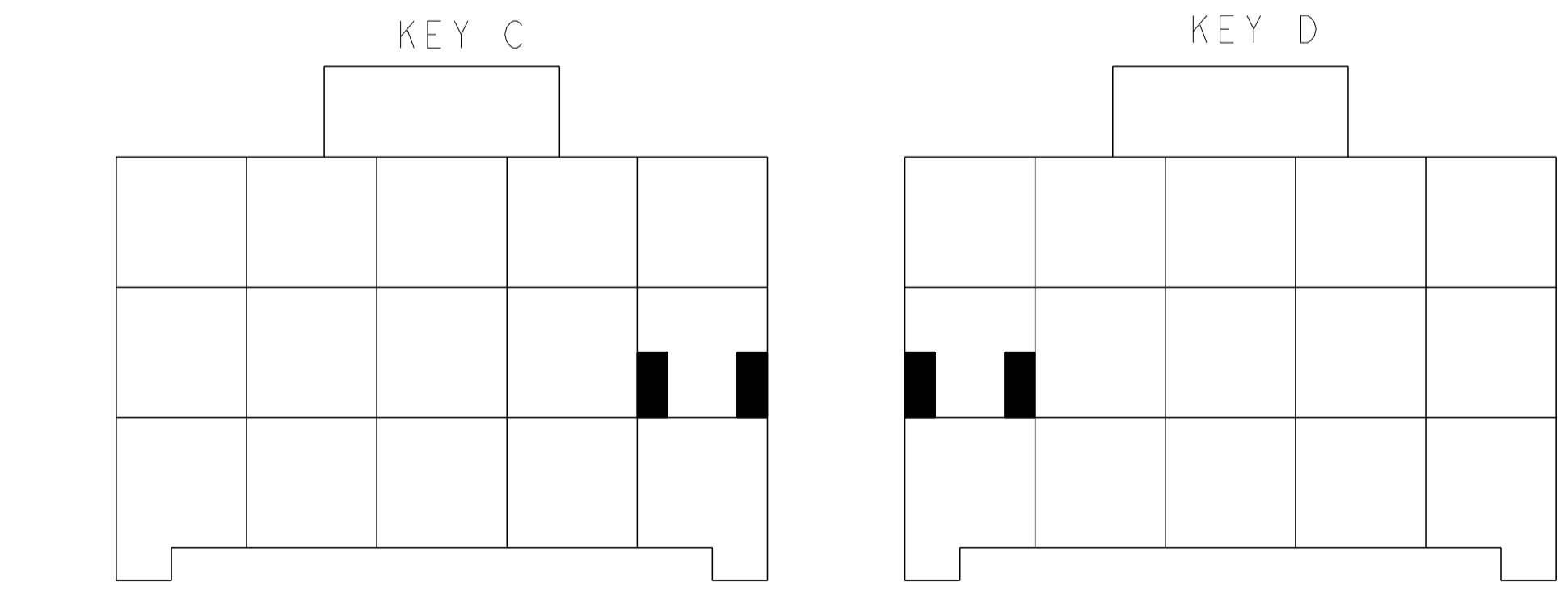
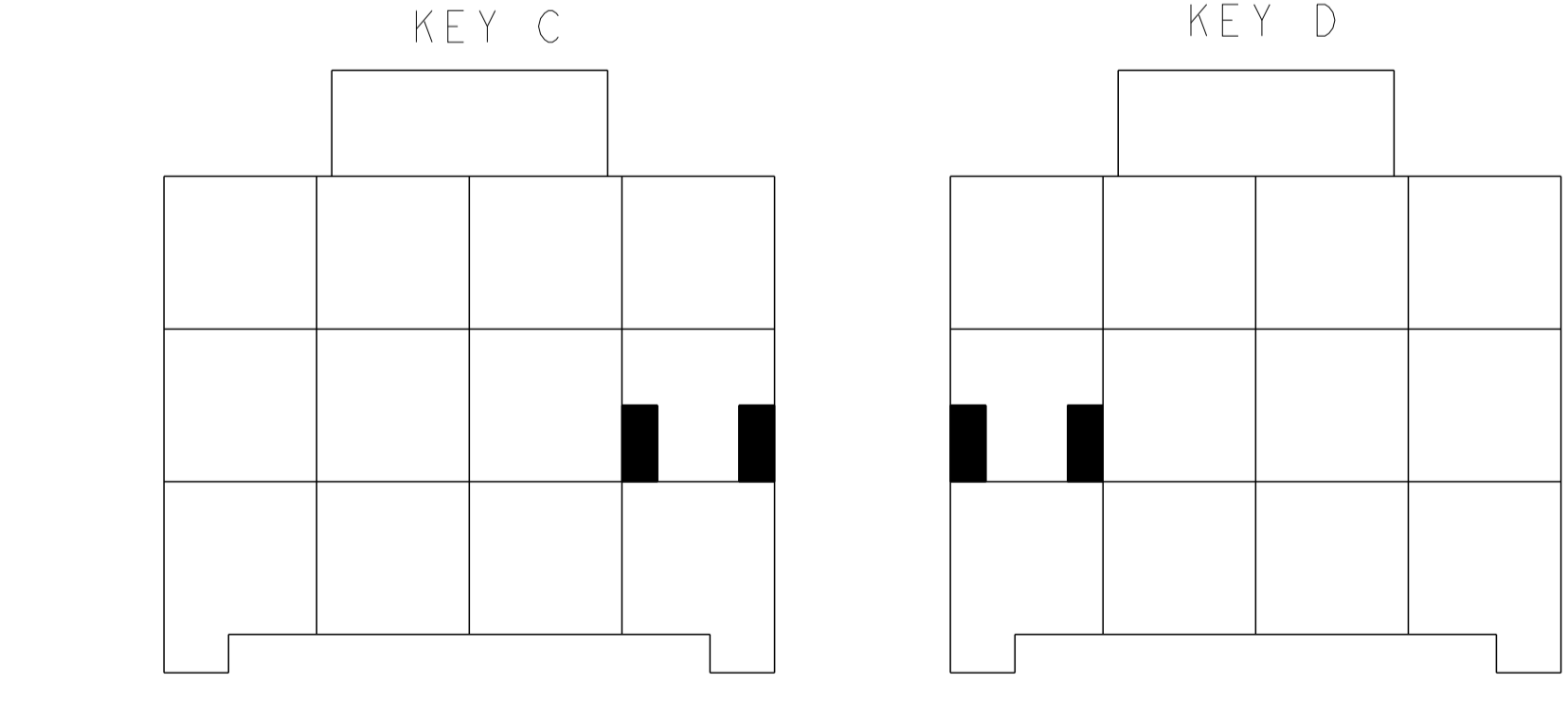
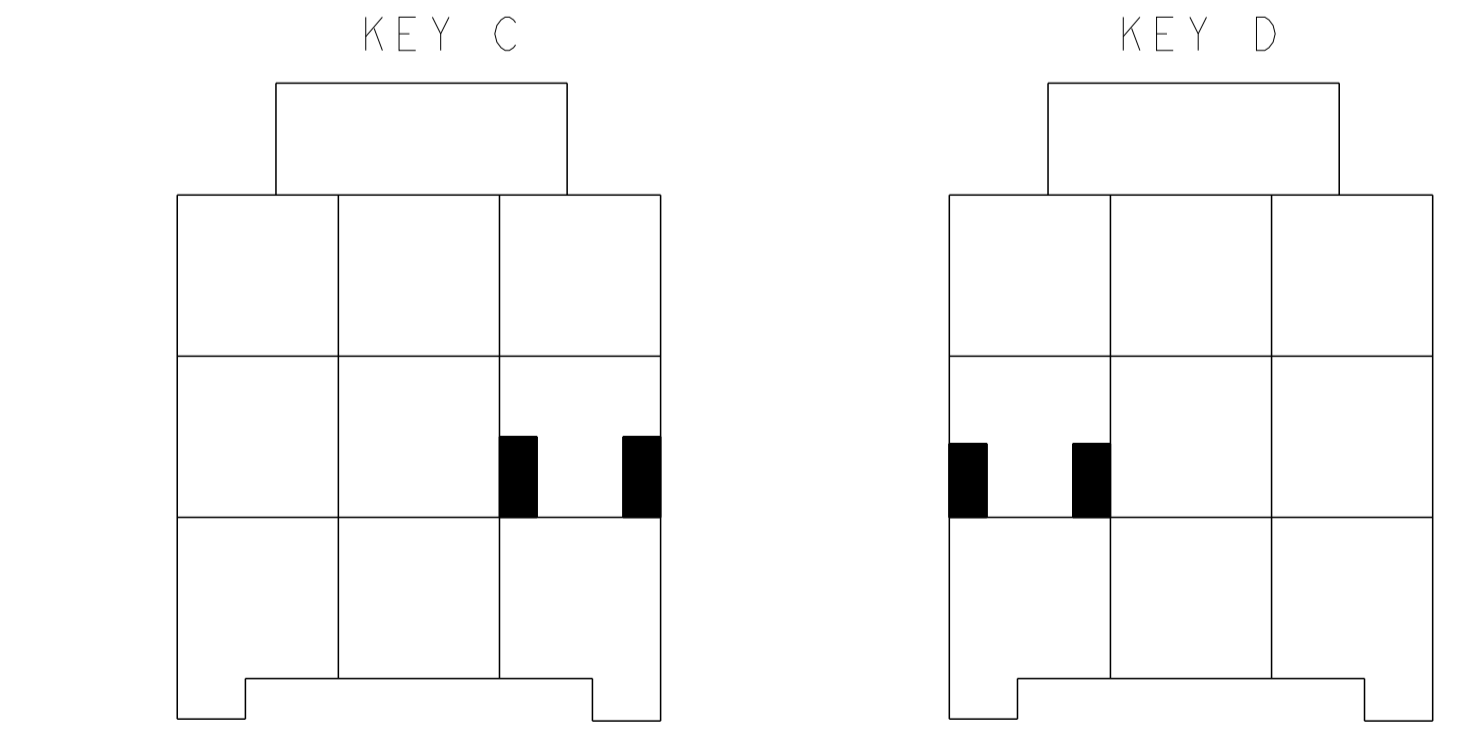
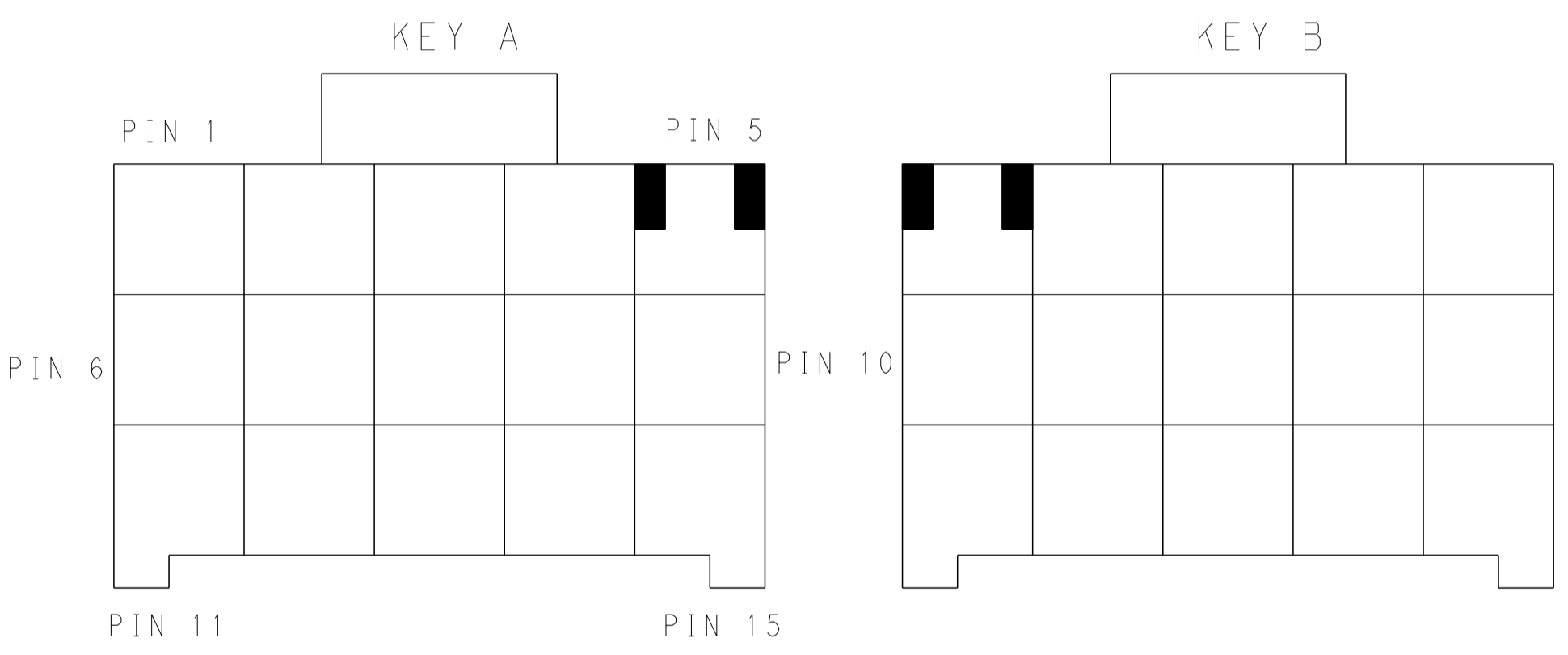
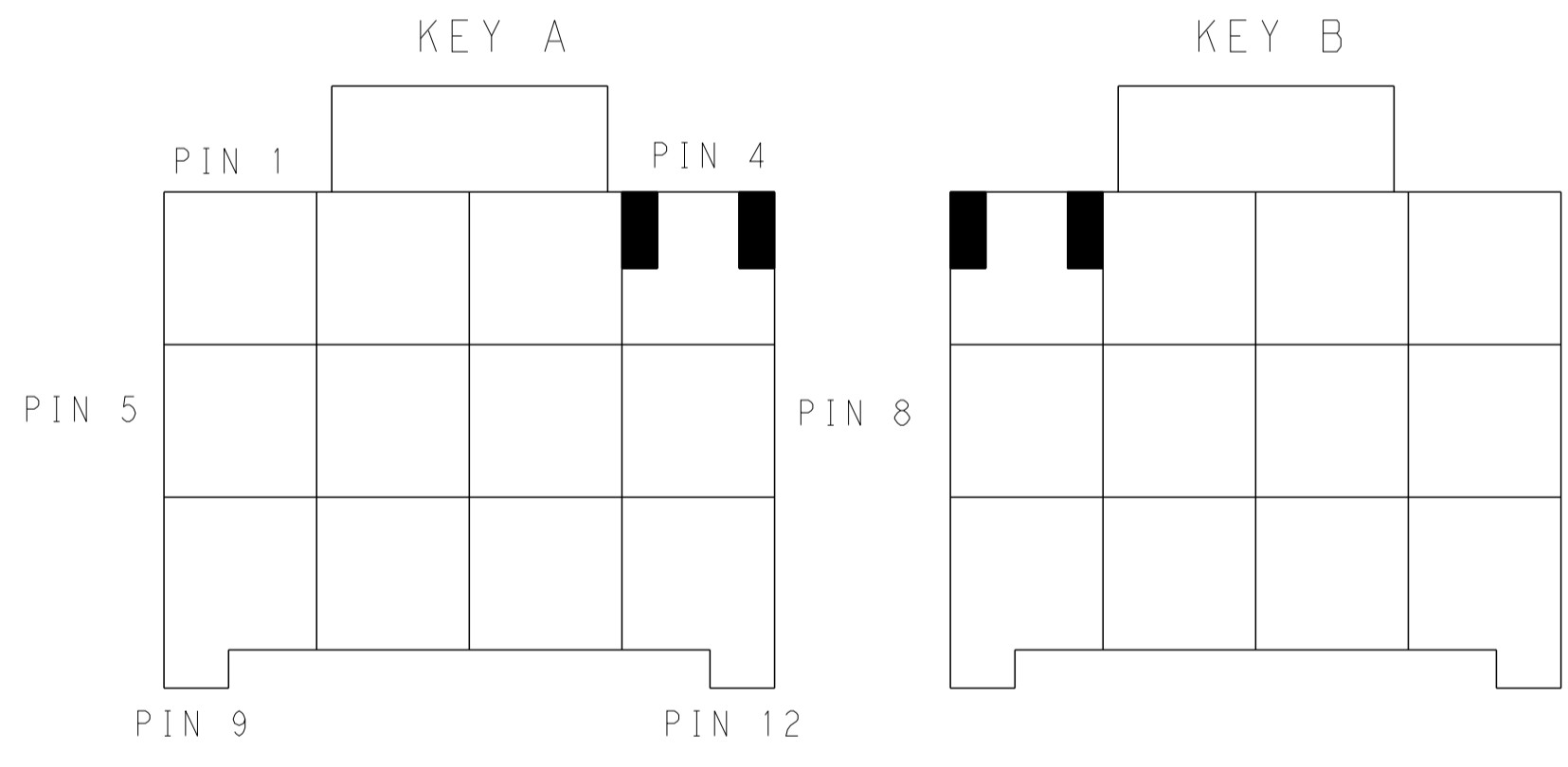
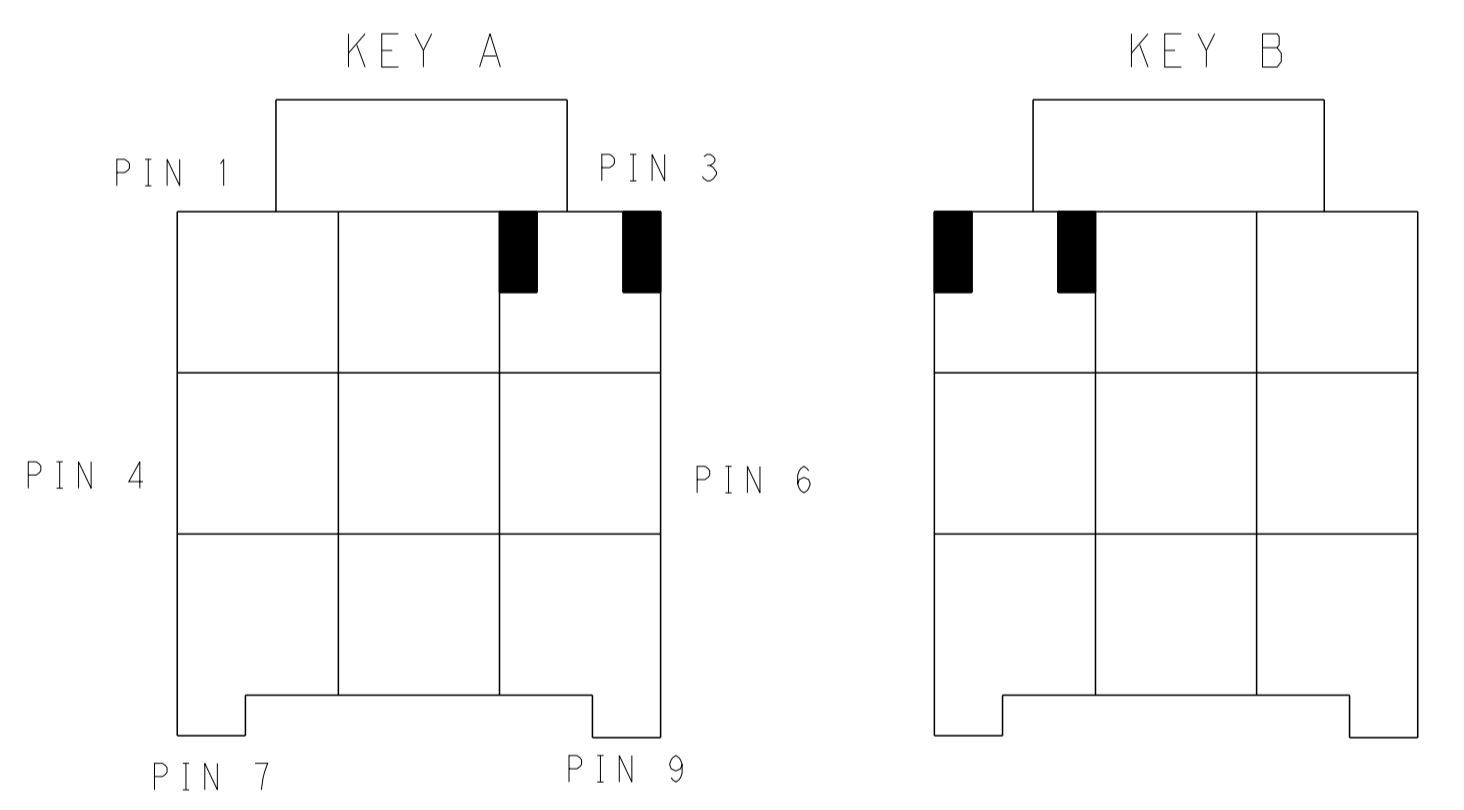
LOC		DIST		REVISIONS			
P	LTN	DESCRIPTION	DATE	OWN	APVD		
-	-	SEE SHEET 1	-	-	-		



3*3 POSITIONS

3*4 POSITIONS

3*5 POSITIONS



KEYING FOR 3*3 POS.

KEYING FOR 3*4 POS.

KEYING FOR 3*5 POS.

POS.	MATERIAL	COLOR	KEY	P/N
3*5	LEVEL A	DARK GREY	KEY A	5-2232356-7
		BROWN	KEY B	6-2232356-7
		GREEN	KEY C	7-2232356-7
		ORANGE	KEY D	8-2232356-7
3*4	LEVEL A	BLACK	KEY A	1-2232356-5
		DARK GREY	KEY A	5-2232356-4
		BROWN	KEY B	6-2232356-4
		GREEN	KEY C	7-2232356-4
3*3	LEVEL A	ORANGE	KEY D	8-2232356-4
		DARK GREY	KEY A	5-2232356-3
		BROWN	KEY B	6-2232356-3
		GREEN	KEY C	7-2232356-3
LEVEL B	BLACK	KEY A	1-2232356-6	
		KEY A	1-2232356-6	

THIS DRAWING IS A CONTROLLED DOCUMENT.

OWN: TOMMY WU 26MAR2013
 CHK: HAPYE WU 26MAR2013
 APVD: YUHONG MAO 26MAR2013

DIMENSIONS: mm
 TOLERANCES UNLESS OTHERWISE SPECIFIED:
 0 PLC ±0.35
 1 PLC ±0.25
 2 PLC ±0.25
 3 PLC ±0.25
 4 PLC ±0.25
 ANGLES ±0.5°

MATERIAL: -
 FINISH: -

Customer Drawing

TE Connectivity

NAME: CAP HOUSING, PANEL MOUNT, TRIPLE ROW POWER TRIPLE LOCK

SIZE: A1
 CAGE CODE: 100779
 DRAWING NO: 114-106118
 SCALE: -
 SHEET: 2 OF 2
 REV: B

Mouser Electronics

Authorized Distributor

Click to View Pricing, Inventory, Delivery & Lifecycle Information:

[TE Connectivity:](#)

[5-2232356-4](#)