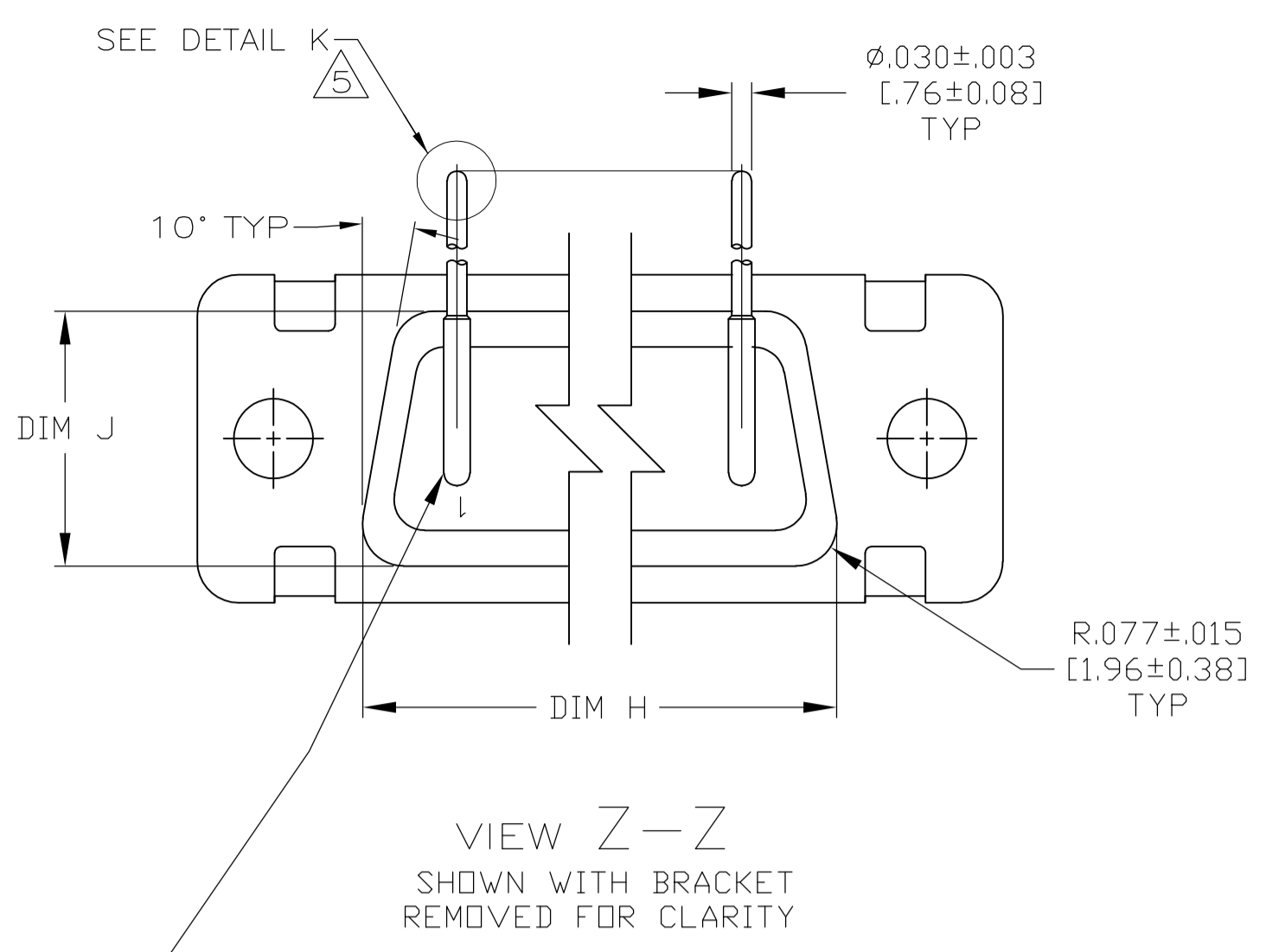
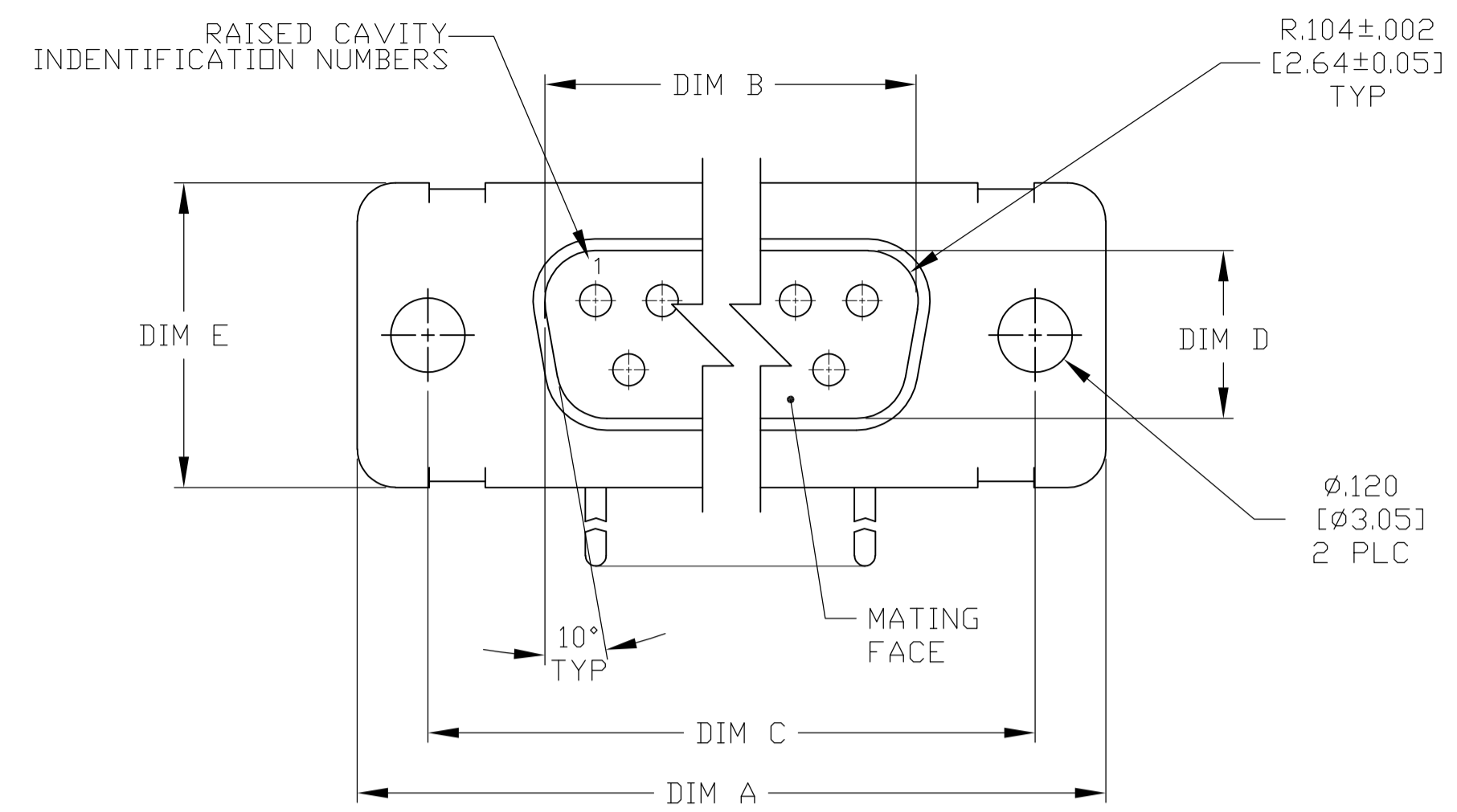


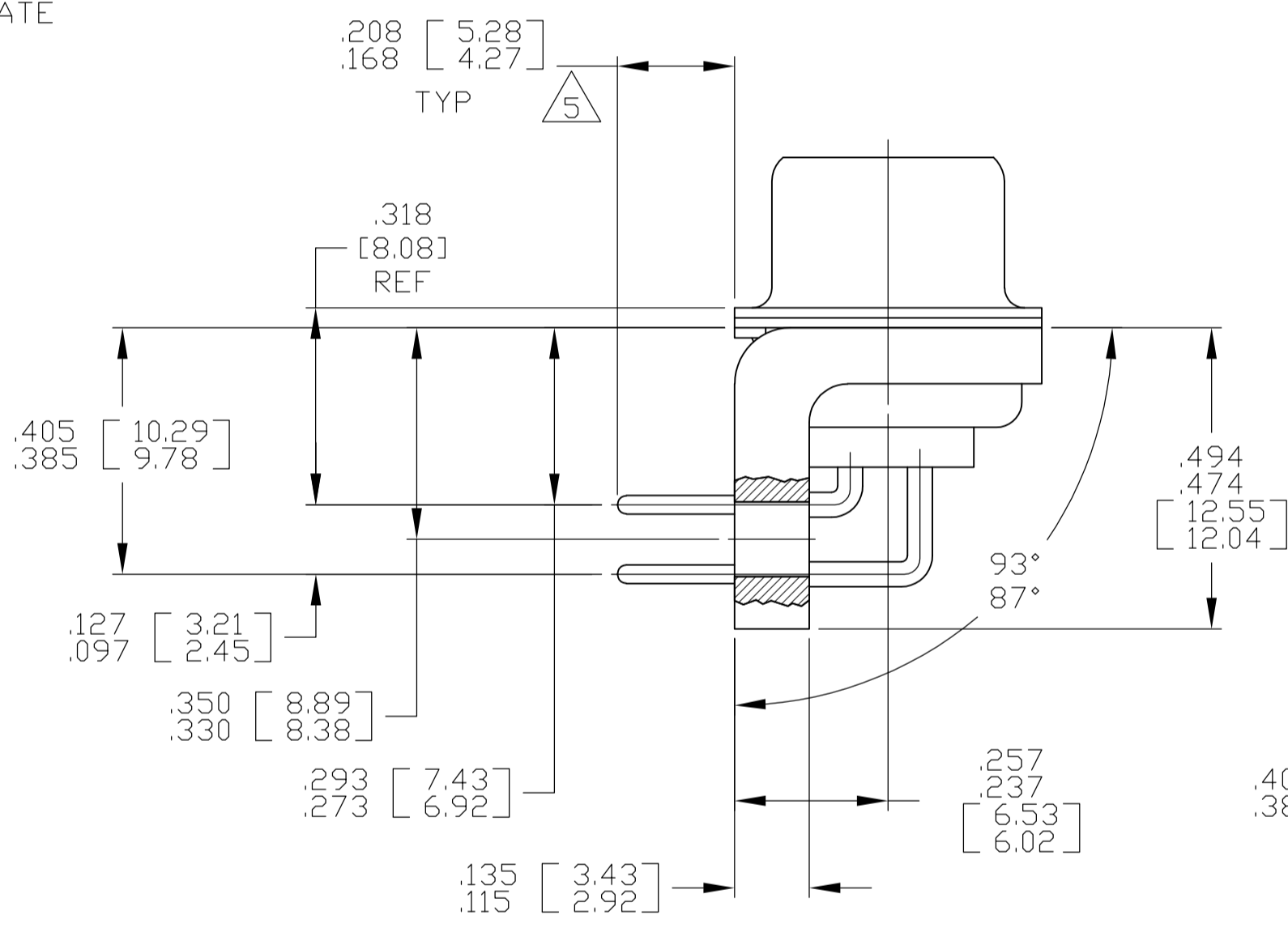
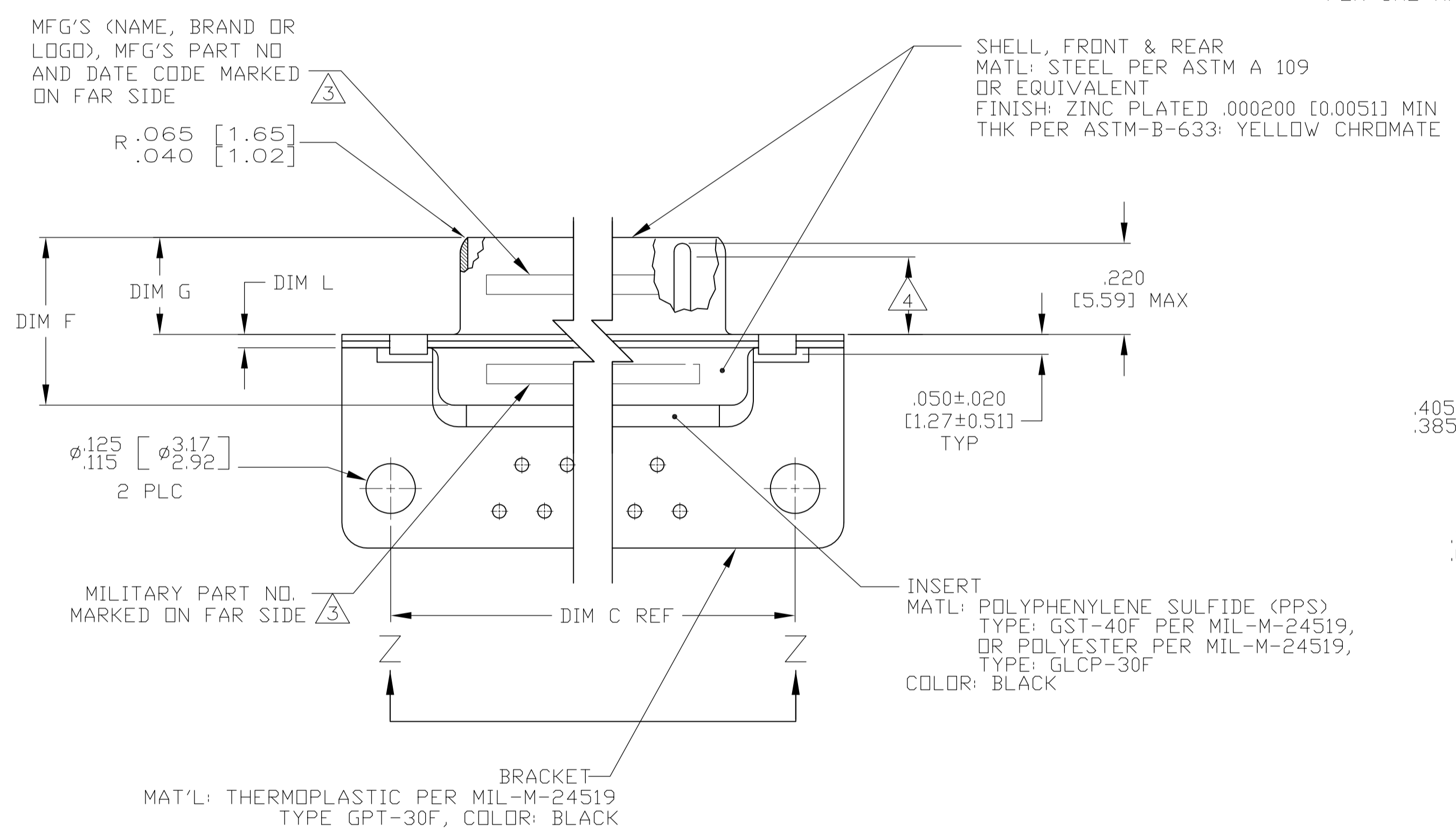
| LOC | DIST                      | REVISIONS |             |           |        |
|-----|---------------------------|-----------|-------------|-----------|--------|
| DF  | AO                        | REV       | DESCRIPTION | DATE      | BY     |
| B   | REVISED PER ECO-13-002054 |           |             | 05FEB2013 | MGM CT |



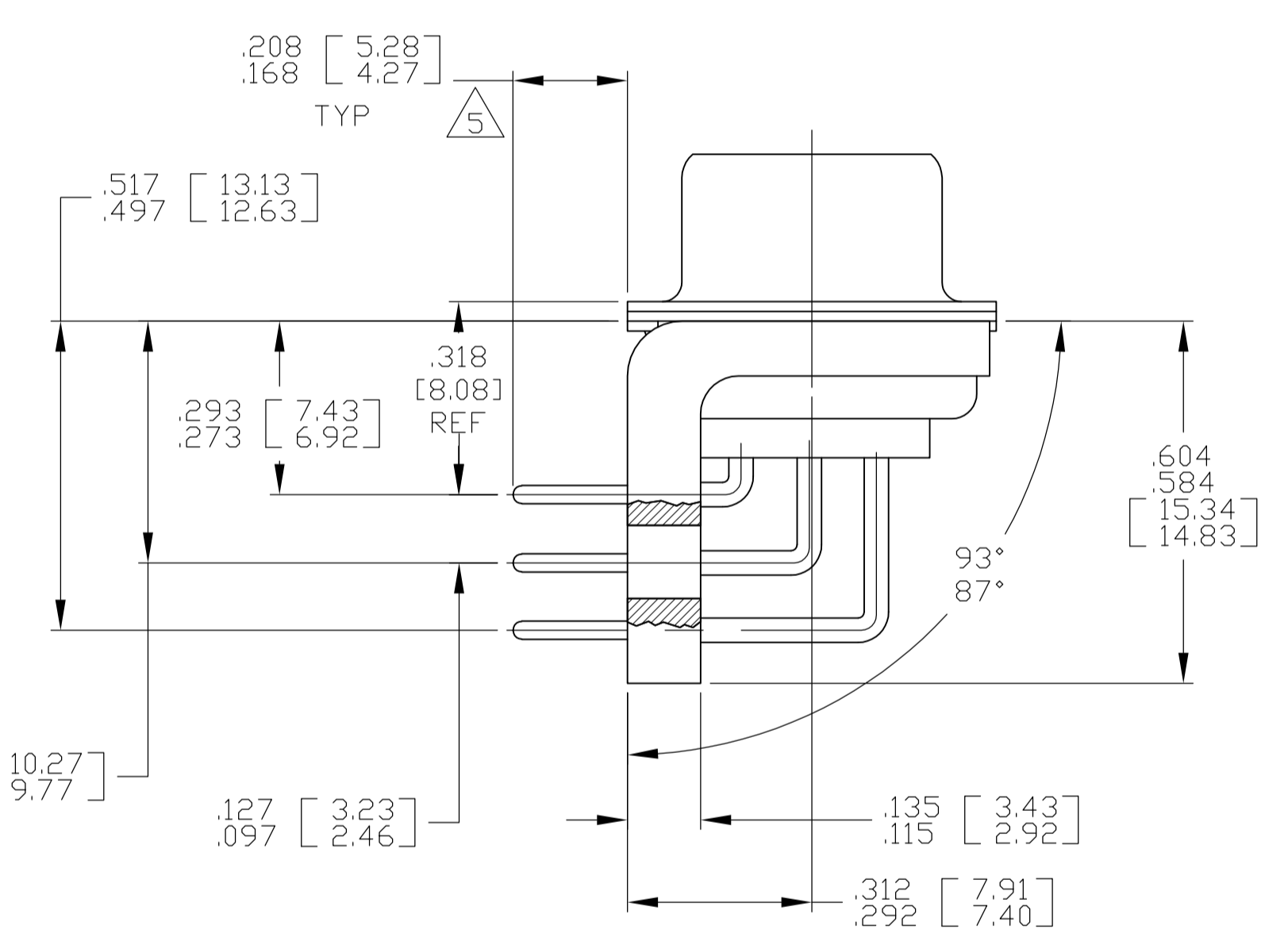
VIEW Z-Z  
SHOWN WITH BRACKET REMOVED FOR CLARITY

CONTACT (QTY = NO. OF POSN)  
MATL: BRASS PER ASTM-B-16, OR BERYLLIUM COPPER PER ASTM-B-194  
FINISH: GOLD PER ASTM-B-488, TYPE II, GRADE C, CLASS 1.27 IN CONTACT MATING AREA, .000010 [0.0003] MIN THK GOLD PER ASTM-B-488 OVER .000050 [0.0013] MIN THK NICKEL PER SAE-AMS-QQ-N-290 ON CONTACT BODY

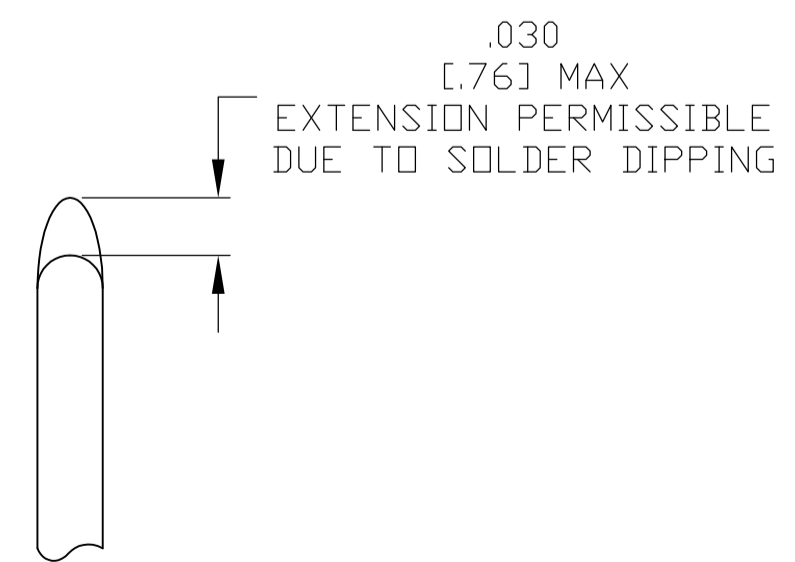
1. SEE SHEET 2 FOR RECOMMENDED P.C. BOARD LAYOUT. TRUE POSITION TOLERANCE FOR P.C. BOARD LAYOUT IS .010 [0.25] AT MAX MATERIAL CONDITION. SUGGESTED BOARD THICKNESS IS .062 [1.57]
2. THE CONNECTORS DESCRIBED IN THIS DOCUMENT MEET THE REQUIREMENTS OF MIL-C-24308 AND MATE WITH ANY RECEPTACLE CONNECTOR WITH SAME INSERT ARRANGEMENT.
3. MARKED WITH .047 [1.19]-.062 [1.57] HIGH CHARACTERS. FAR SIDE REFERS TO THE WIDE SIDE OF THE KEYSTONE. NEAR SIDE REFERS TO THE NARROW SIDE OF THE KEYSTONE. IF THE SHELL IS TOO SMALL FOR THE ENTIRE MARKING MARKING SHALL BE SPLIT AS FOLLOWS:
  - A. "M24308" ON FRONT SHELL, FAR SIDE.
  - B. SLASH SHEET AND DASH NUMBER ON REAR SHELL, FAR SIDE.
  - C. "MFG'S" (NAME, BRAND OR LOGO) AND DATE CODE ON FRONT SHELL, NEAR SIDE.
  - D. MFG'S PART NUMBER ON REAR SHELL, NEAR SIDE.
4. REQUIREMENT FOR FULL PIN DIAMETER EXTENSION:
  - .159 [4.04] MIN, SHELL SIZES 1 AND 2.
  - .150 [3.81] MIN, SHELL SIZES 3 AND 4.
5. SOLDER DIPPED PER J-STD-001 WITH Sn63 SOLDER PER J-STD-006 IN THE ENTIRE AREA OF DIMENSION SHOWN. (1757839-6 THRU -10 ONLY.)
6. MEETS SOLDERABILITY PER MIL-STD-202 METHOD 208.



SHELL SIZES 1 THRU 4 CONTACT CONFIGURATION



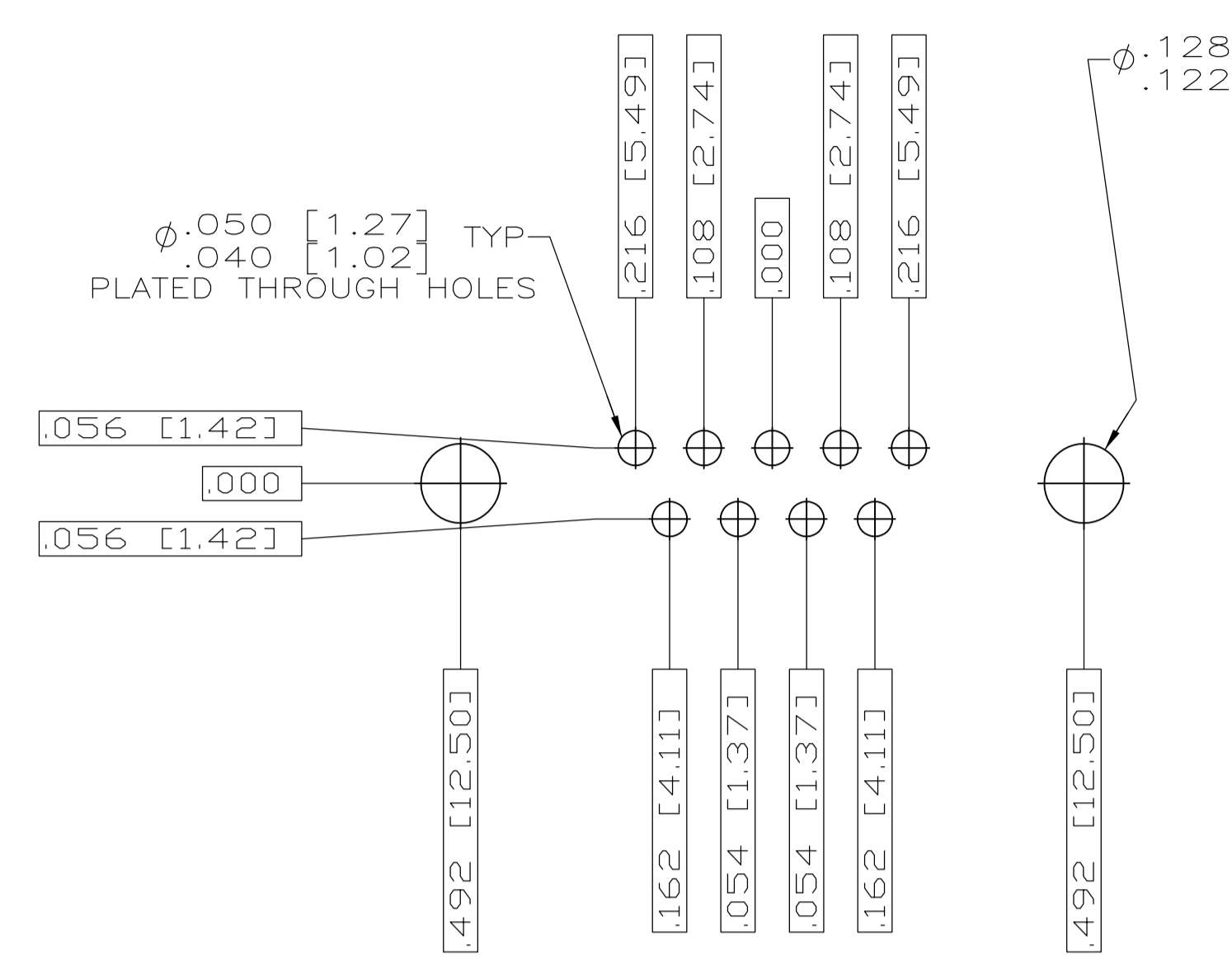
SHELL SIZE 5 CONTACT CONFIGURATION



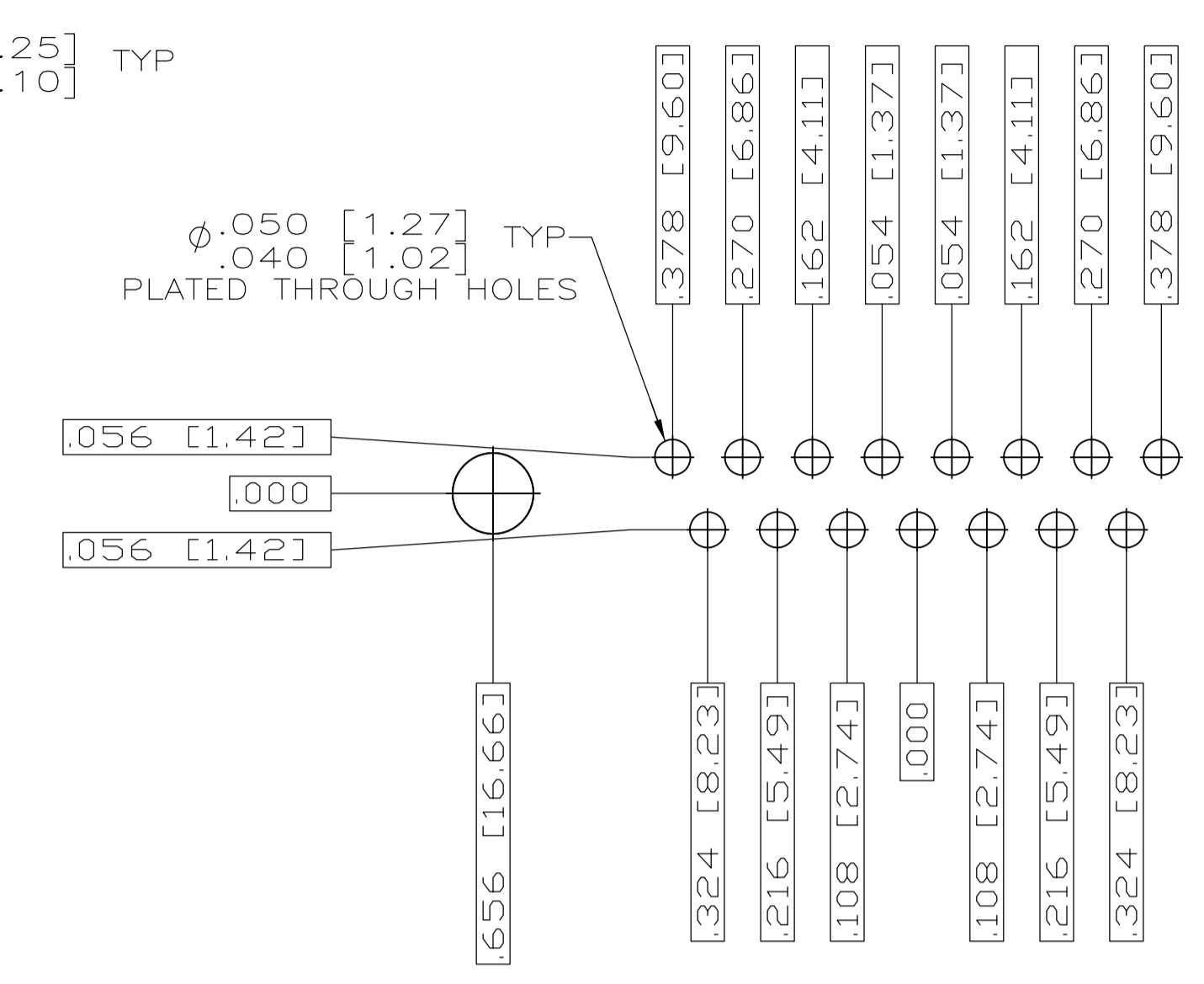
|             |              |               |             |              |              |              |               |               |               |           |    |   |               |           |             |
|-------------|--------------|---------------|-------------|--------------|--------------|--------------|---------------|---------------|---------------|-----------|----|---|---------------|-----------|-------------|
| .049 [1.24] | .544 [13.82] | 2.188 [55.58] | .236 [5.99] | .436 [11.07] | .620 [15.75] | .446 [11.33] | 2.411 [61.24] | 2.084 [52.55] | 2.650 [67.31] | MS18277-1 | 50 | 5 | M24308/24-53Z | 1757839-5 | 1-1757839-0 |
| .029 [0.74] | .524 [13.31] | 2.168 [55.07] | .224 [5.69] | .416 [10.57] | .590 [14.99] | .436 [11.07] | 2.401 [60.99] | 2.074 [52.30] | 2.620 [66.55] | MS18276-1 | 37 | 4 | M24308/24-52Z | 1757839-4 | 1757839-9   |
| .049 [1.24] | .432 [10.97] | 2.282 [57.96] | .236 [5.99] | .436 [11.07] | .509 [12.93] | .334 [8.48]  | 2.505 [63.63] | 2.187 [54.97] | 2.744 [69.70] | MS18275-1 | 25 | 3 | M24308/24-51Z | 1757839-3 | 1757839-8   |
| .029 [0.74] | .412 [10.46] | 2.262 [57.45] | .224 [5.69] | .416 [10.57] | .479 [12.17] | .324 [8.23]  | 2.495 [63.37] | 2.177 [54.71] | 2.714 [68.94] | MS18274-1 | 15 | 2 | M24308/24-50Z | 1757839-2 | 1757839-7   |
| .040 [1.02] | .432 [10.97] | 1.635 [41.53] | .238 [6.05] | .432 [10.97] | .509 [12.93] | .334 [8.48]  | 1.857 [47.17] | 1.539 [38.51] | 2.103 [53.42] | MS18273-1 | 9  | 1 | M24308/24-49Z | 1757839-1 | 1757839-6   |
| .020 [0.51] | .412 [10.46] | 1.615 [41.02] | .229 [5.82] | .412 [10.46] | .479 [12.17] | .324 [8.23]  | 1.847 [46.91] | 1.529 [38.25] | 2.073 [52.65] | MS18272-1 | 9  | 1 | M24308/24-48Z | 1757839-1 | 1757839-6   |
| .040 [1.02] | .432 [10.97] | .769 [19.53]  | .238 [6.05] | .432 [10.97] | .509 [12.93] | .334 [8.48]  | .989 [25.12]  | .671 [16.46]  | 1.228 [31.19] | MS18271-1 | 9  | 1 | M24308/24-47Z | 1757839-1 | 1757839-6   |
| .020 [0.51] | .412 [10.46] | 1.073 [27.25] | .229 [5.82] | .412 [10.46] | .479 [12.17] | .324 [8.23]  | .979 [24.87]  | .661 [16.21]  | 1.198 [30.43] | MS18270-1 | 9  | 1 | M24308/24-46Z | 1757839-1 | 1757839-6   |
| .049 [1.24] | .544 [13.82] | 2.188 [55.58] | .236 [5.99] | .436 [11.07] | .620 [15.75] | .446 [11.33] | 2.411 [61.24] | 2.084 [52.55] | 2.650 [67.31] | MS18277-1 | 50 | 5 | M24308/24-53Z | 1757839-5 | 1757839-5   |
| .029 [0.74] | .524 [13.31] | 2.168 [55.07] | .224 [5.69] | .416 [10.57] | .590 [14.99] | .436 [11.07] | 2.401 [60.99] | 2.074 [52.30] | 2.620 [66.55] | MS18276-1 | 37 | 4 | M24308/24-52Z | 1757839-4 | 1757839-4   |
| .049 [1.24] | .432 [10.97] | 2.282 [57.96] | .236 [5.99] | .436 [11.07] | .509 [12.93] | .334 [8.48]  | 2.505 [63.63] | 2.187 [54.97] | 2.744 [69.70] | MS18275-1 | 25 | 3 | M24308/24-51Z | 1757839-3 | 1757839-3   |
| .029 [0.74] | .412 [10.46] | 2.262 [57.45] | .224 [5.69] | .416 [10.57] | .479 [12.17] | .324 [8.23]  | 2.495 [63.37] | 2.177 [54.71] | 2.714 [68.94] | MS18274-1 | 15 | 2 | M24308/24-50Z | 1757839-2 | 1757839-2   |
| .040 [1.02] | .432 [10.97] | 1.635 [41.53] | .238 [6.05] | .432 [10.97] | .509 [12.93] | .334 [8.48]  | 1.857 [47.17] | 1.539 [38.51] | 2.103 [53.42] | MS18273-1 | 9  | 1 | M24308/24-49Z | 1757839-1 | 1757839-1   |
| .020 [0.51] | .412 [10.46] | 1.615 [41.02] | .229 [5.82] | .412 [10.46] | .479 [12.17] | .324 [8.23]  | 1.847 [46.91] | 1.529 [38.25] | 2.073 [52.65] | MS18272-1 | 9  | 1 | M24308/24-48Z | 1757839-1 | 1757839-1   |
| .040 [1.02] | .432 [10.97] | .769 [19.53]  | .238 [6.05] | .432 [10.97] | .509 [12.93] | .334 [8.48]  | .989 [25.12]  | .671 [16.46]  | 1.228 [31.19] | MS18271-1 | 9  | 1 | M24308/24-47Z | 1757839-1 | 1757839-1   |
| .020 [0.51] | .412 [10.46] | 1.073 [27.25] | .229 [5.82] | .412 [10.46] | .479 [12.17] | .324 [8.23]  | .979 [24.87]  | .661 [16.21]  | 1.198 [30.43] | MS18270-1 | 9  | 1 | M24308/24-46Z | 1757839-1 | 1757839-1   |

| DIM L | DIM J | DIM H | DIM G | DIM F | DIM E | DIM D | DIM C | DIM B | DIM A | INSERT ARRANGEMENT | NO OF POS | SHELL SIZE | MILITARY P/N ON CONNECTOR | MFG'S P/N MARKED ON CONNECTOR | MFG'S PART NO. |
|-------|-------|-------|-------|-------|-------|-------|-------|-------|-------|--------------------|-----------|------------|---------------------------|-------------------------------|----------------|
|       |       |       |       |       |       |       |       |       |       |                    |           |            |                           |                               |                |

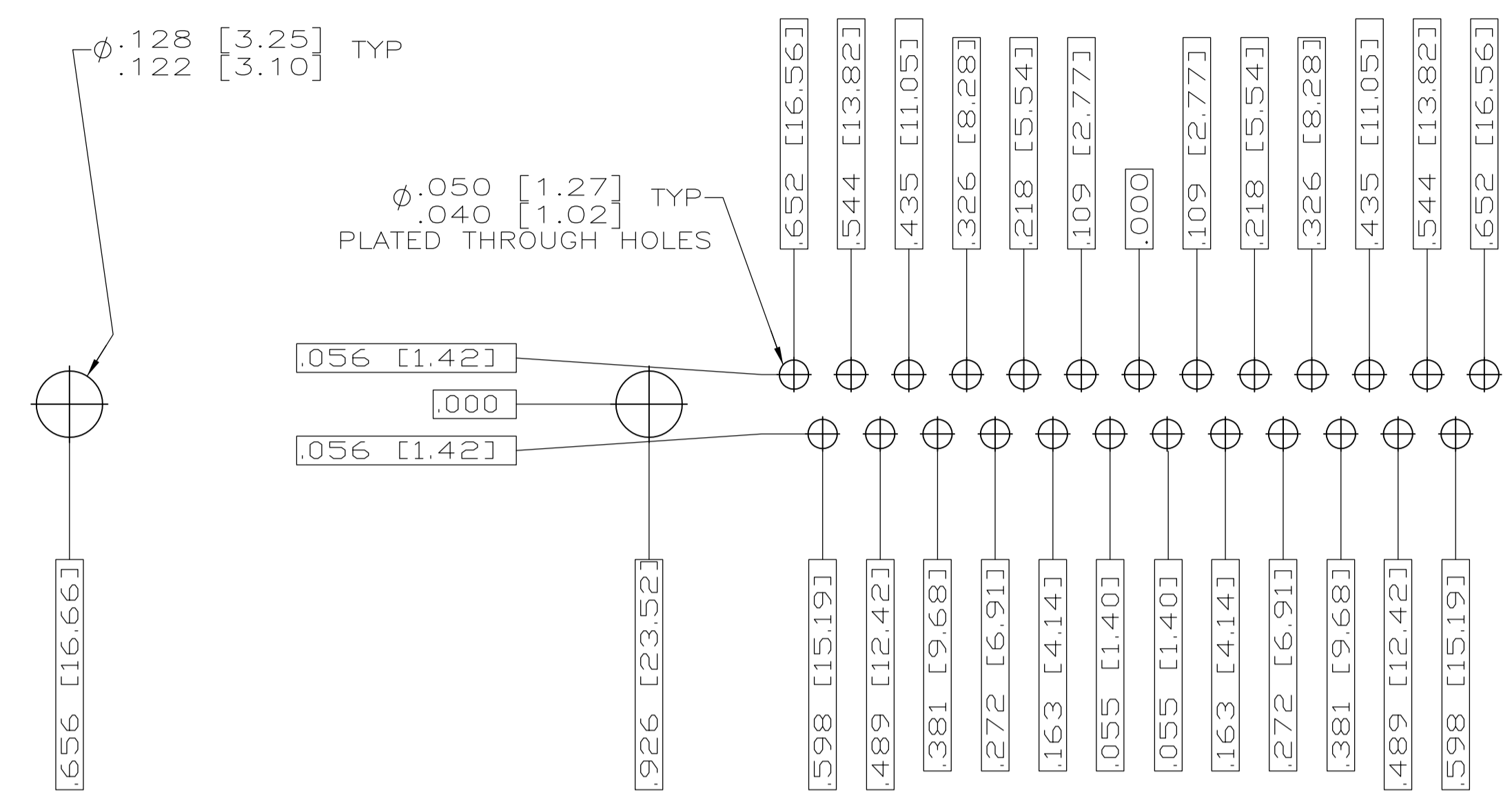
DETAIL K  
SCALE 10:1  
FOR 1757839-6 THRU -10 ONLY



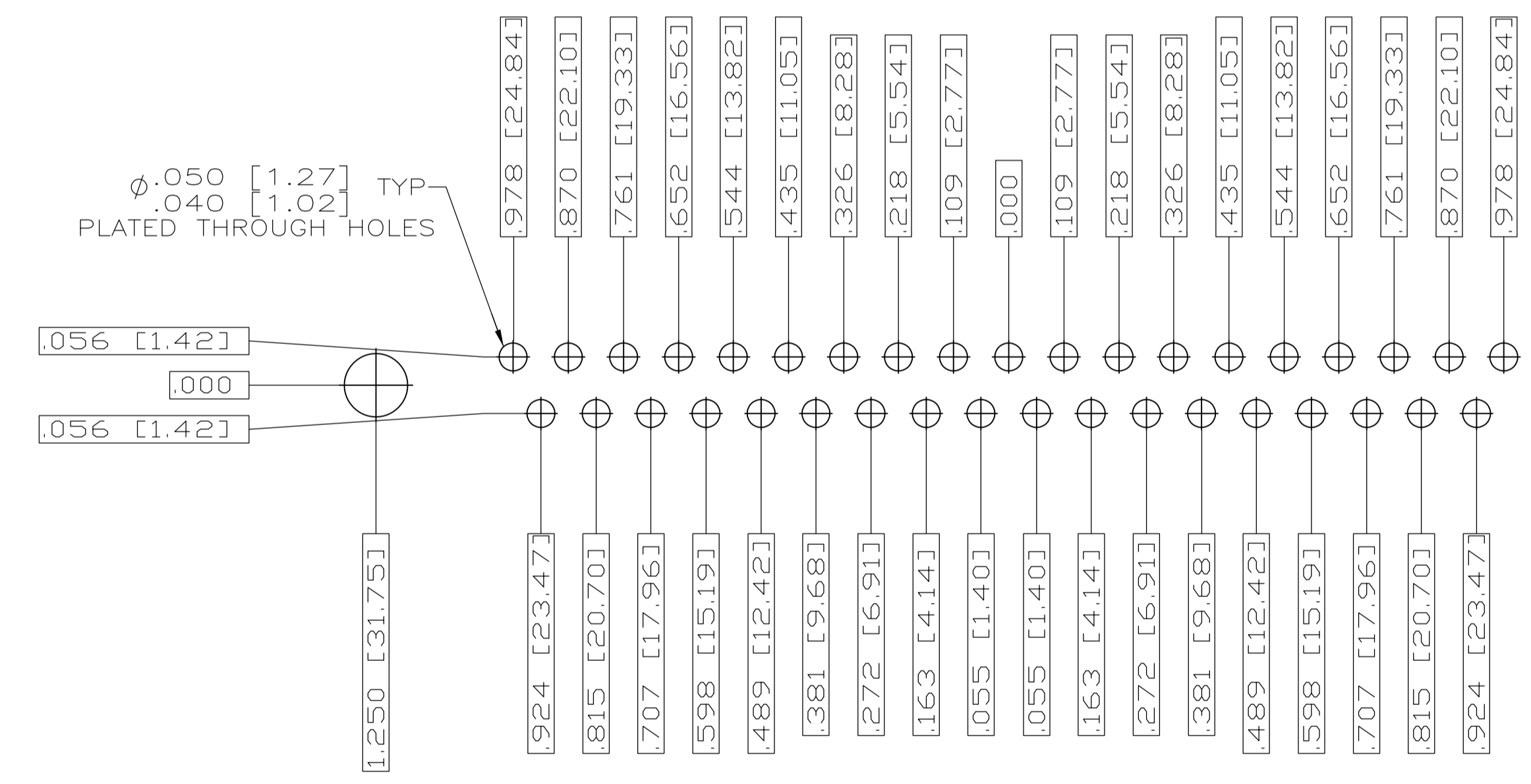
RECOMMENDED P.C. BOARD LAYOUT  
 SHELL SIZE 1 (9 POSITION) ⚠



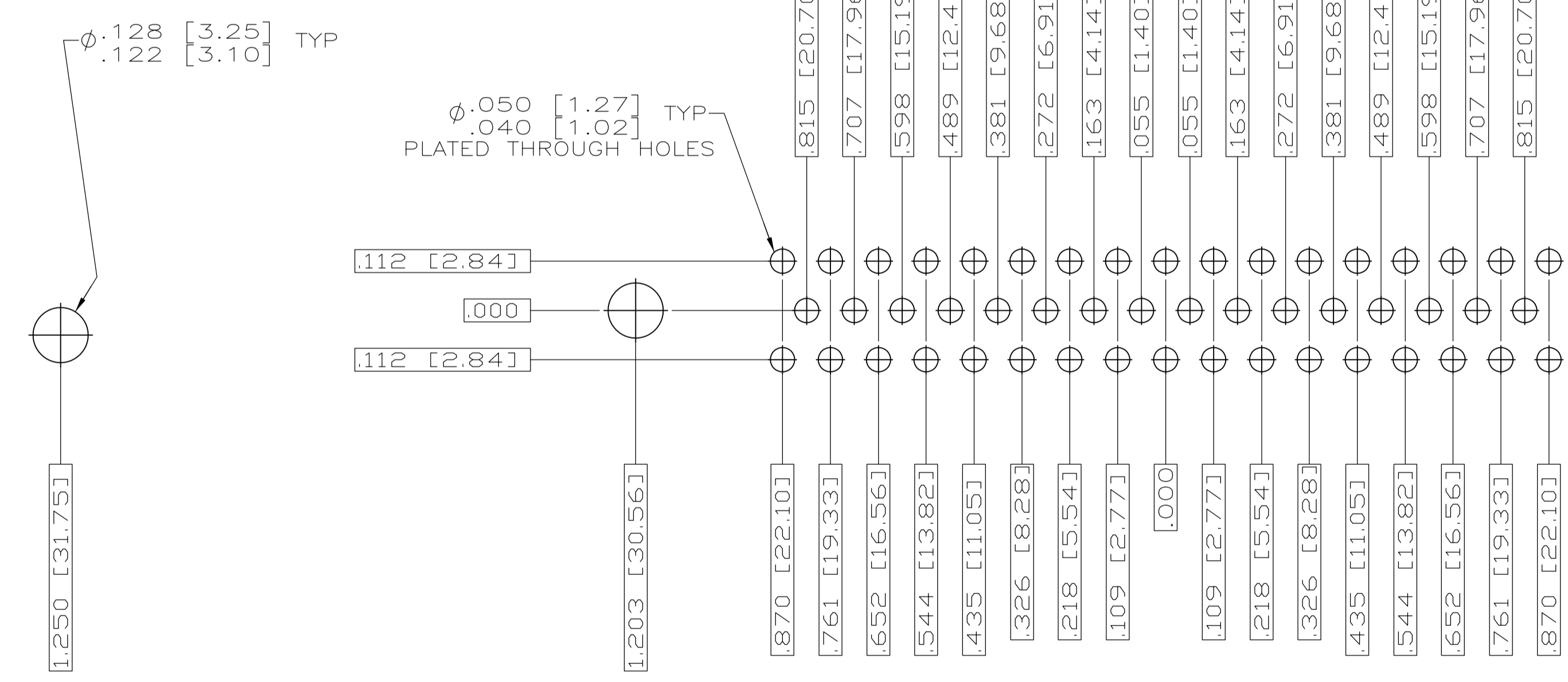
RECOMMENDED P.C. BOARD LAYOUT  
 SHELL SIZE 2 (15 POSITION) ⚠



RECOMMENDED P.C. BOARD LAYOUT  
 SHELL SIZE 3 (25 POSITION) ⚠



RECOMMENDED P.C. BOARD LAYOUT  
 SHELL SIZE 4 (37 POSITION) ⚠



RECOMMENDED P.C. BOARD LAYOUT  
 SHELL SIZE 5 (50 POSITION) ⚠

|   |  |   |  |  |  |
|---|--|---|--|--|--|
| THIS DRAWING IS A CONTROLLED DOCUMENT.  |  | DIN C.C.THOMAS 2-23-06                                  |  | TE Connectivity  |  |
| DIMENSIONS: INCHES  |  | CHK: D.HOFFMAN 2-23-06                                  |  |  |  |
| TOLERANCES UNLESS OTHERWISE SPECIFIED:  |  | APVD: D.MILLER 2-23-06                                  |  | NAME: PLUG ASSY,AMPLIMITE RIGHT ANGLE,SERIES 109,SIZE 1 THRU 5                               |  |
| 0 PL ± .005<br>1 PL ± .005<br>2 PL ± .005<br>3 PL ± .005<br>4 PL ± .005<br>ANGLES ± .1° |  | APPLICATION SPEC: -<br>WEIGHT: -<br>CUSTOMER DRAWING: - |  | SIZE: A1<br>CAGE CODE: 00779<br>DRAWING NO: 1757839<br>SCALE: 4:1<br>SHEET: 2 OF 2<br>REV: B |  |

# Mouser Electronics

Authorized Distributor

Click to View Pricing, Inventory, Delivery & Lifecycle Information:

[TE Connectivity:](#)

[1757839-4](#)