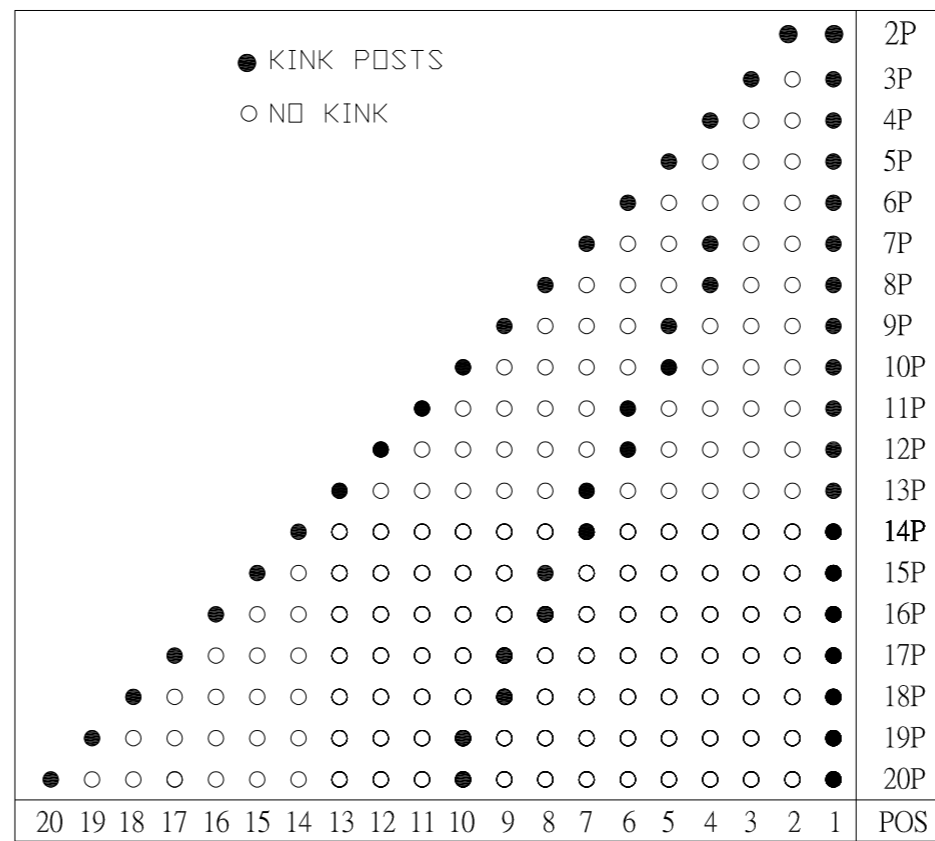
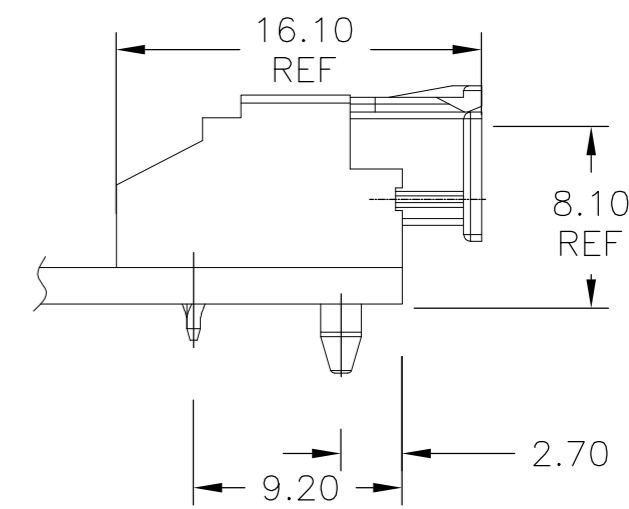
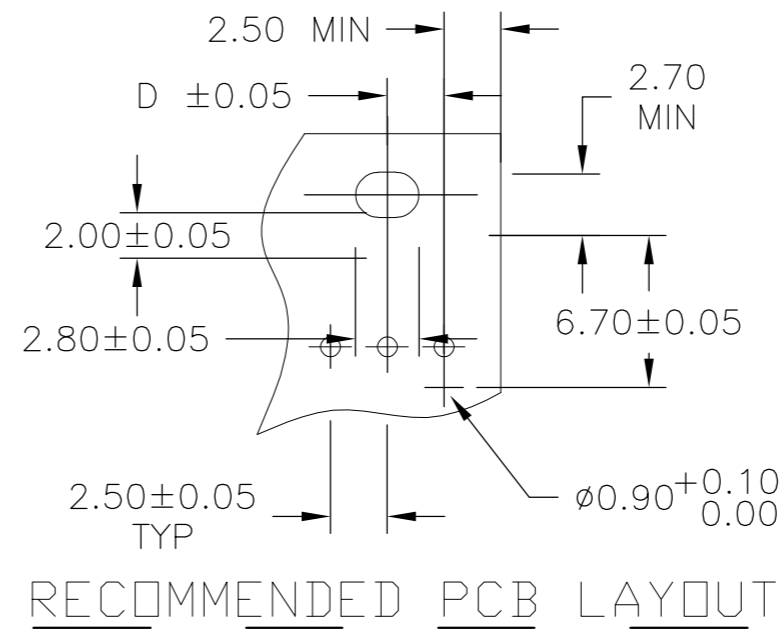
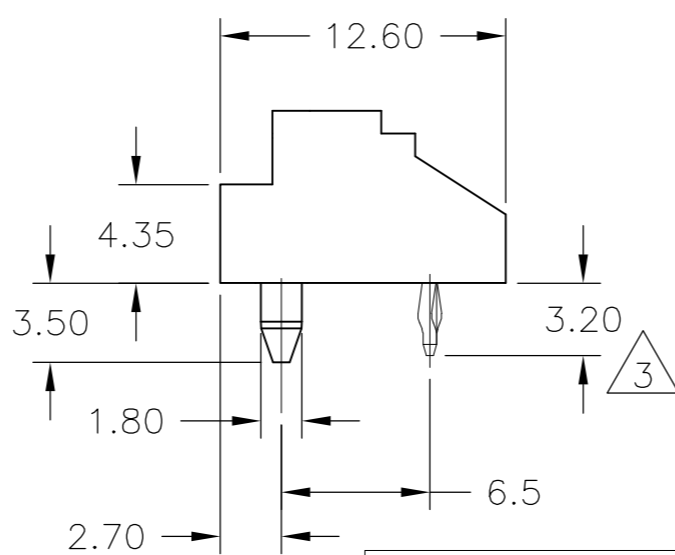
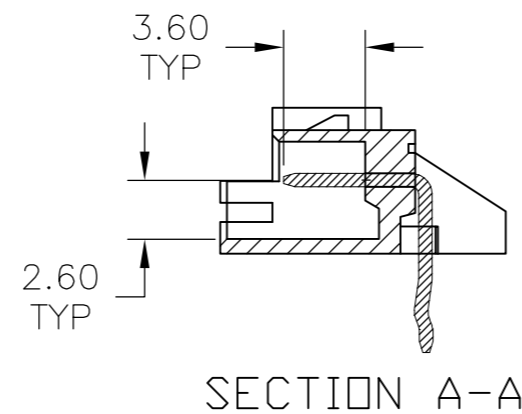
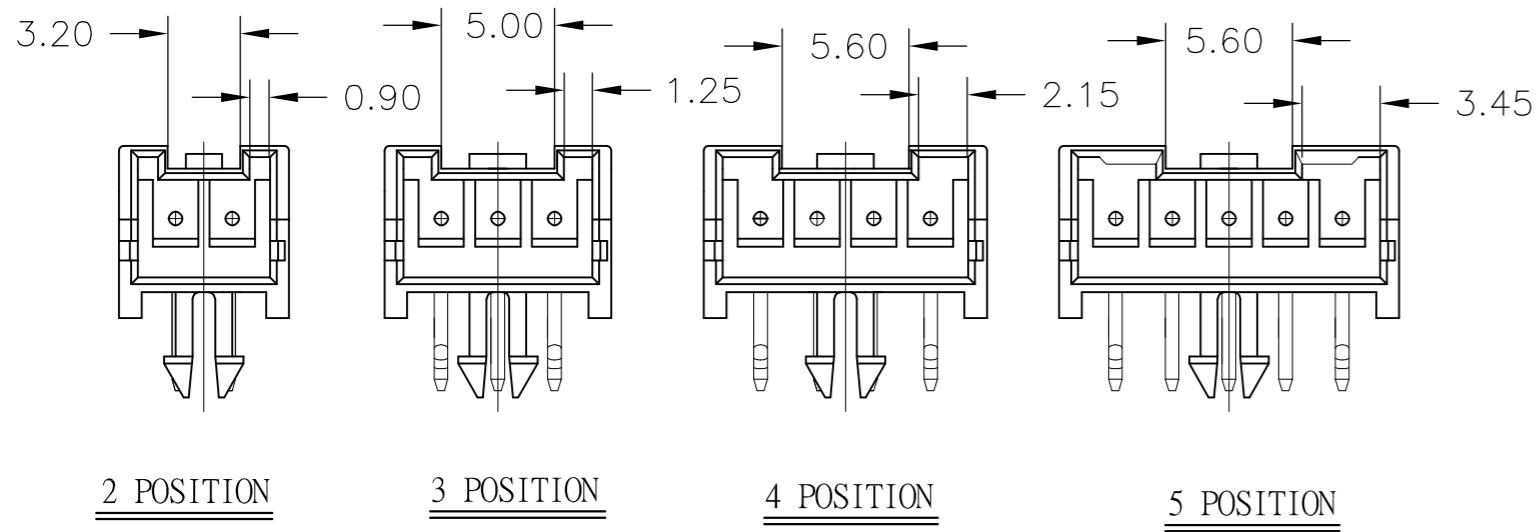
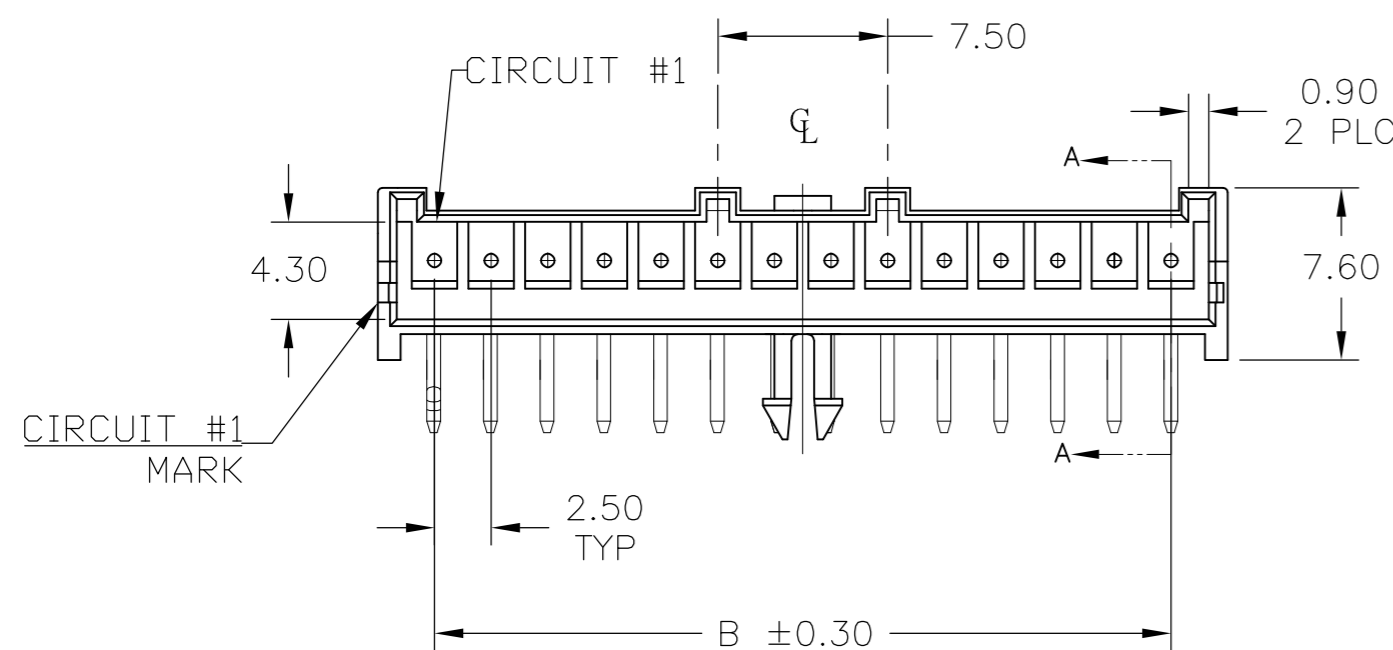
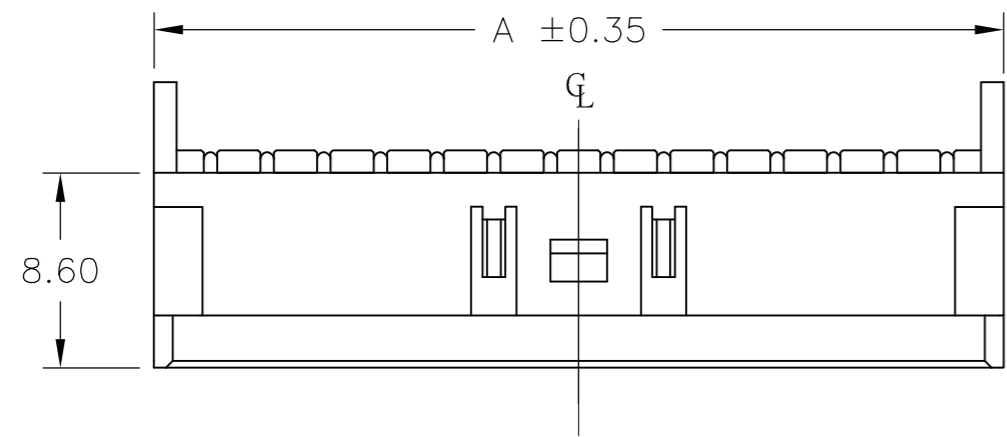
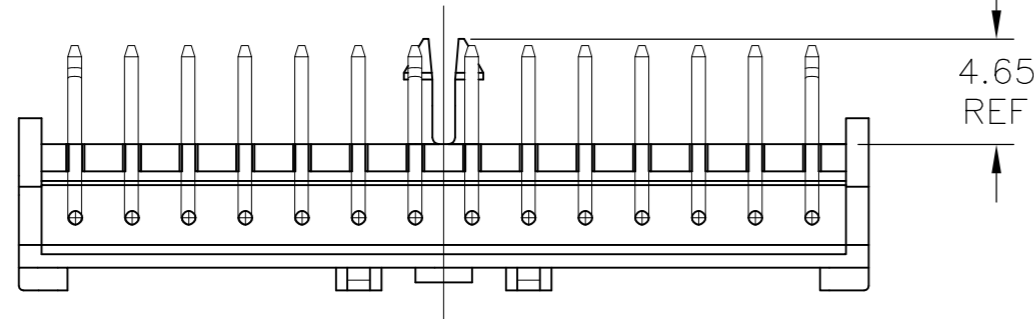


THIS DRAWING IS UNPUBLISHED. RELEASED FOR PUBLICATION
 © COPYRIGHT - By - ALL RIGHTS RESERVED.

| REVISIONS | | | | |
|-----------|-----|---------------------------|---------|---------|
| P | LTR | DESCRIPTION | DATE | APVD |
| D1 | | REVISED PER ECR-16-010647 | 08OCT16 | O.C D.Z |



- 1 MATERIAL,
HOUSING: NYLON 94VO, WHITE.
CONTACT: COPPER ALLOY
- 2 FINISH: CONTACT: BRIGHT TIN OVER
NICKEL UNDERPLATED OVER ALL
- 3 CONTACT SOLDER TAIL KINK DIRECTION
(BOARDLOCK). OUTER POSITIONS KINK FRONT,
INSIDE POSITION KINK BACK.

| | | | | |
|-------|-------|-------|-----|-------------|
| 31.25 | 47.50 | 52.50 | 20 | 2-1744426-0 |
| 28.75 | 45.00 | 50.00 | 19 | 1-1744426-9 |
| 26.25 | 42.50 | 47.50 | 18 | 1-1744426-8 |
| 23.75 | 40.00 | 45.00 | 17 | 1-1744426-7 |
| 21.25 | 37.50 | 42.50 | 16 | 1-1744426-6 |
| 18.75 | 35.00 | 40.00 | 15 | 1-1744426-5 |
| 16.25 | 32.50 | 37.50 | 14 | 1-1744426-4 |
| 15.00 | 30.00 | 35.00 | 13 | 1-1744426-3 |
| 13.75 | 27.50 | 32.50 | 12 | 1-1744426-2 |
| 12.50 | 25.00 | 30.00 | 11 | 1-1744426-1 |
| 11.25 | 22.50 | 27.50 | 10 | 1-1744426-0 |
| 10.00 | 20.00 | 25.00 | 9 | 1744426-9 |
| 8.75 | 17.50 | 22.50 | 8 | 1744426-8 |
| 7.50 | 15.00 | 20.00 | 7 | 1744426-7 |
| 6.25 | 12.50 | 17.50 | 6 | 1744426-6 |
| 5.00 | 10.00 | 15.00 | 5 | 1744426-5 |
| 3.75 | 7.50 | 12.50 | 4 | 1744426-4 |
| 2.50 | 5.00 | 10.00 | 3 | 1744426-3 |
| 1.25 | 2.50 | 7.50 | 2 | 1744426-2 |
| DIM C | DIM B | DIM A | POS | PART NO. |

THIS DRAWING IS A CONTROLLED DOCUMENT.

| | | |
|------------------|-----------|-----------|
| DWN | JR RUTH | 09JAN2012 |
| CHK | SAM MACE | 09JAN12 |
| APVD | SAM MACE | 09JAN12 |
| PRODUCT SPEC | 108-2418 | |
| APPLICATION SPEC | 114-13315 | |
| WEIGHT | 0 | |
| CUSTOMER DRAWING | | |

TE Connectivity

NAME: -
 HEADER HOUSING ASSEMBLY, EP 2.5 RIGHT ANGLE

| | | | |
|------|-----------|------------|---------------|
| SIZE | CAGE CODE | DRAWING NO | RESTRICTED TO |
| A2 | 00779 | C=1744426 | - |

SCALE: N/A SHEET: 1 OF 1 REV: D1

Mouser Electronics

Authorized Distributor

Click to View Pricing, Inventory, Delivery & Lifecycle Information:

[TE Connectivity:](#)

[1-1744426-6](#)