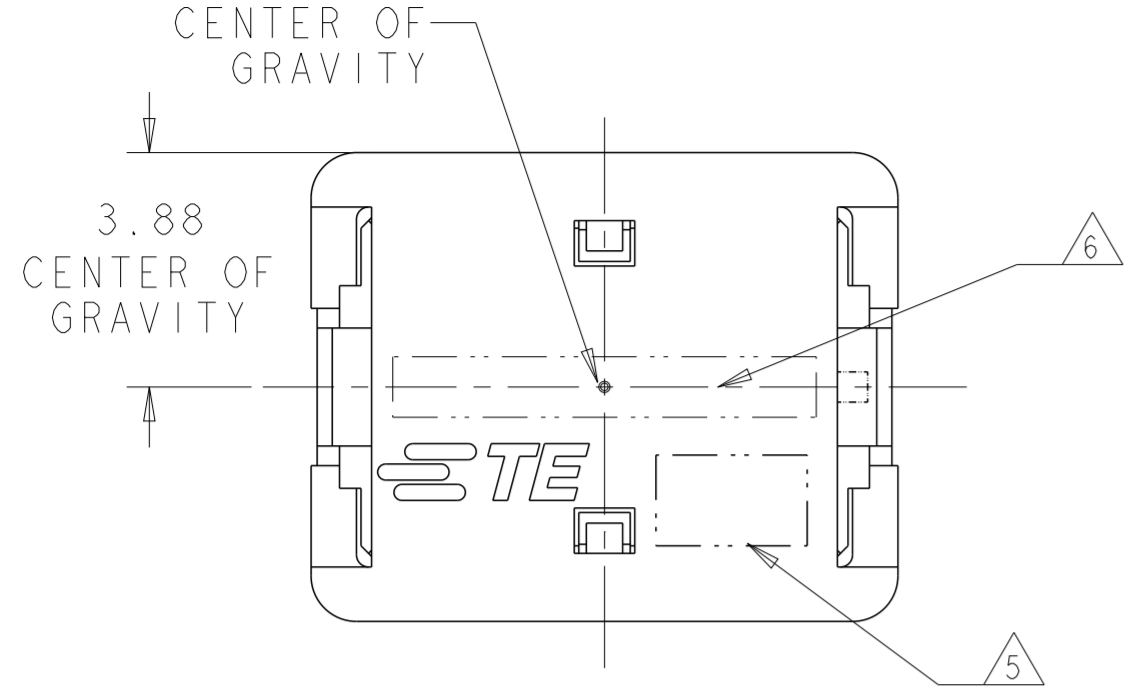
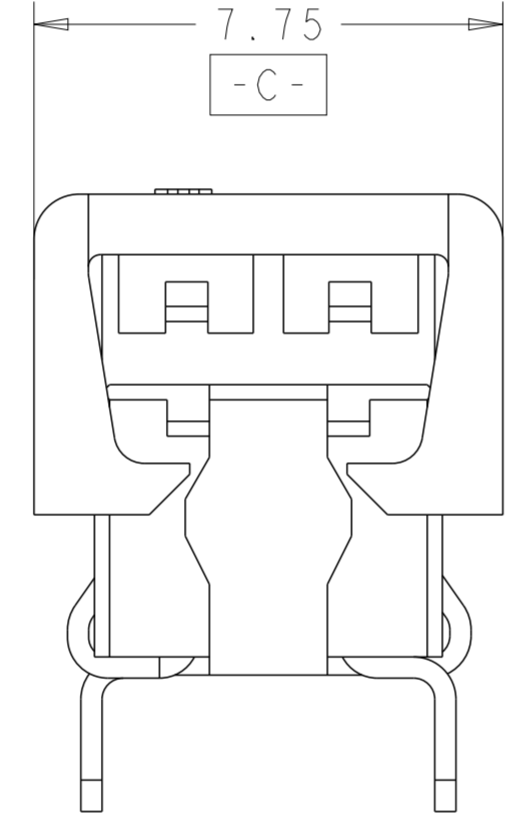


THIS DRAWING IS UNPUBLISHED. RELEASED FOR PUBLICATION 20  
 © COPYRIGHT 20 BY - ALL RIGHTS RESERVED.

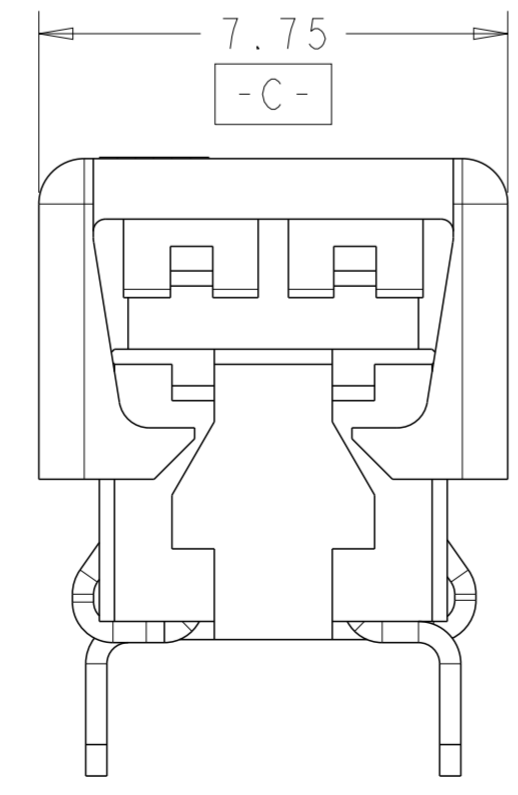
LOC		DIST		REVISIONS			
P	LTR	DESCRIPTION		DATE	DWN	APVD	
	AI	REVISED PER ECR-12-003555		19APR2012	RS	DD	
	A2	REVISED PER ECR-12-016877		20OCT2012	RS	DD	
	B	REVISED PER ECR-15-004054		28JUL2015	RS	DD	
	C	REVISED PER ECR-15-017995		18DEC2015	RS	DD	



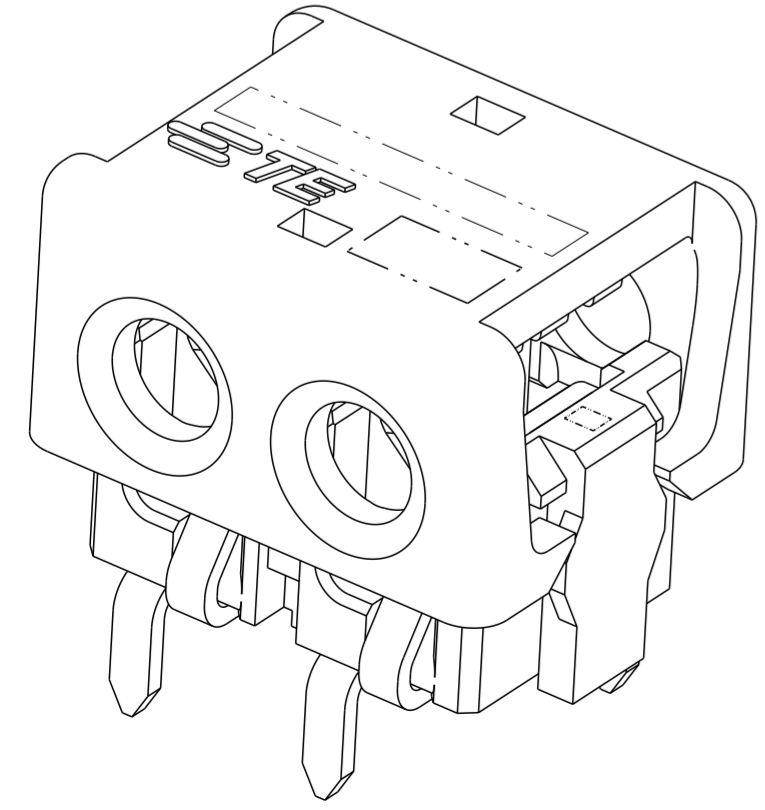
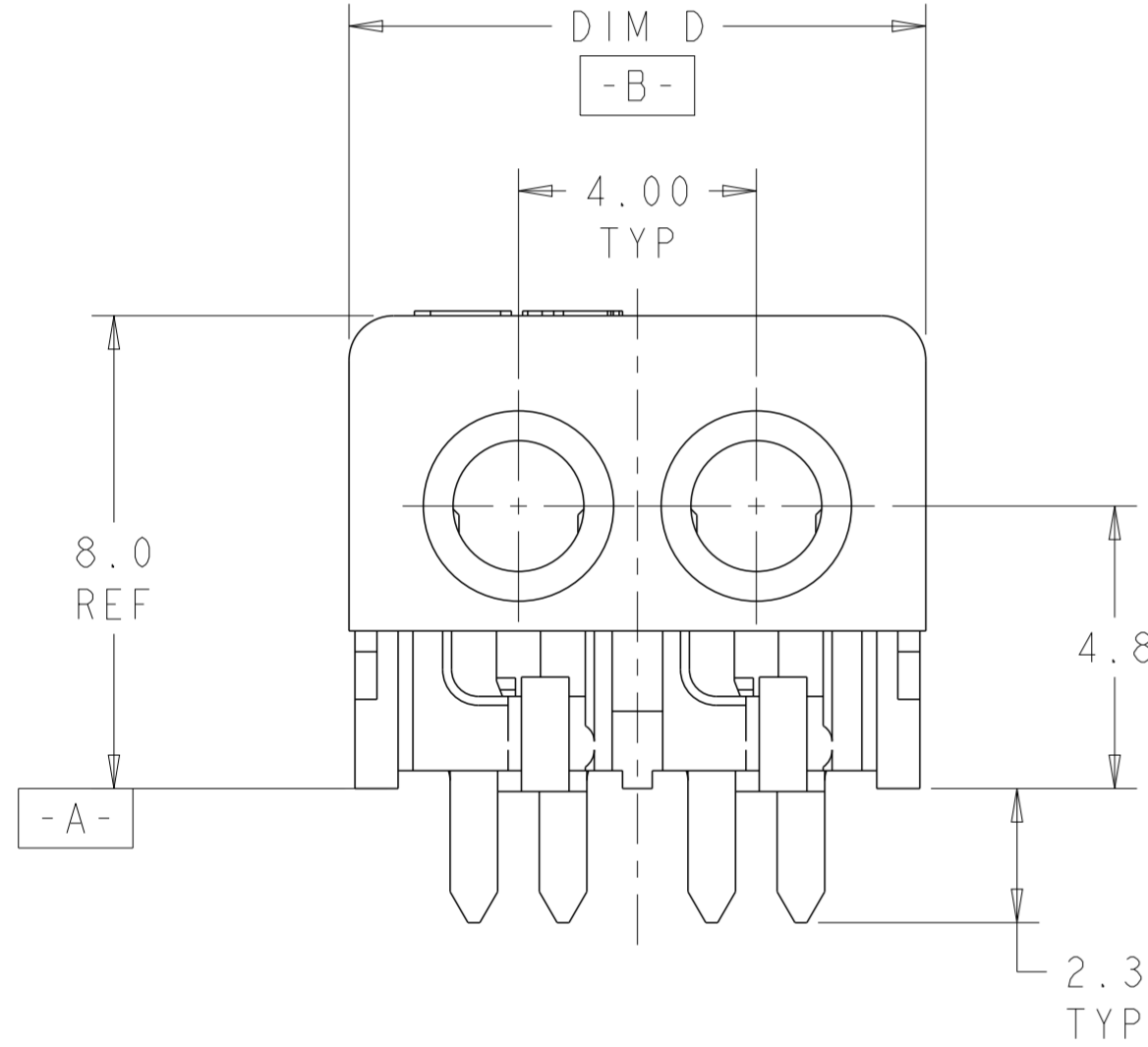
2 POSITION SHOWN AS SHIPPED



FOR 2, 3 AND 4 POSITIONS



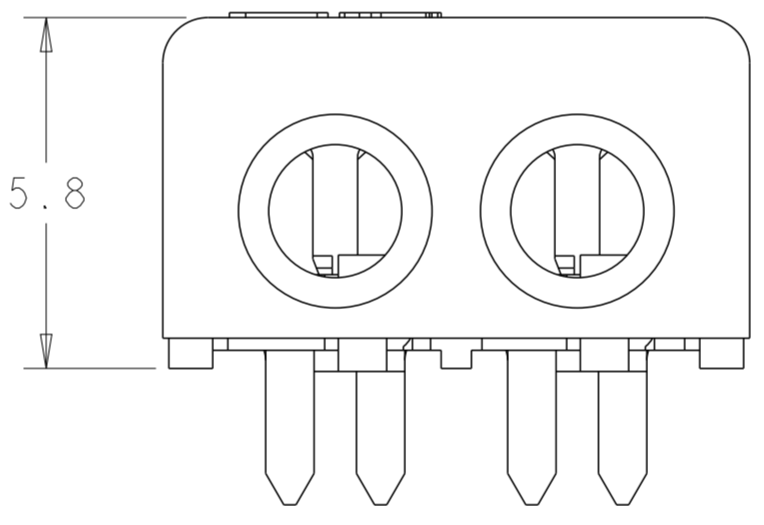
FOR 1 POSITION ONLY



- 1. MATERIALS AND FINISH:
  - HOUSING: LCP, COLOR: NATURAL
  - CONTACTS: COPPER ALLOY, FINISH: Sn OVER Ni

- 2. COMPLY WITH DIRECTIVE 2002/95/EC (ROHS)
- 3. 18-24AWG SOLID OR STRANDED WIRE. PLEASE REFER TO APPLICATION SPEC 114-13266 FOR RECOMMENDED STRAND COUNT.
  - 18 AWG MAX INSULATION OD 2.20
  - 20 AWG MAX INSULATION OD 1.90
  - 22 AWG MAX INSULATION OD 1.70
  - 24 AWG MAX INSULATION OD 1.45
- 4. PACKAGE IN TAPE AND REEL PER EIA-481 SPECIFICATION

- 5. WIRE SIZE MARKING IN APPROXIMATE LOCATION SHOWN.
- 6. COLOR CODE MARKING, STRAIGHT LINE.
- 7. ONE POSITION ASSEMBLY DOES NOT COMPLY WITH EIA 481 SPECIFICATION.



2 POSITION SHOWN CLOSED SCALE 8:1

COLOR CODE	DIM D	WIRE SIZE	POSN	PART NUMBER
RED	17.70	24 AWG	4	3-2106751-4
	13.70	24 AWG	3	3-2106751-3
	9.70	24 AWG	2	3-2106751-2
	5.70	24 AWG	1	7 3-2106751-1
GREEN	17.70	22 AWG	4	2-2106751-4
	13.70	22 AWG	3	2-2106751-3
	9.70	22 AWG	2	2-2106751-2
	5.70	22 AWG	1	7 2-2106751-1
BLUE	17.70	20 AWG	4	1-2106751-4
	13.70	20 AWG	3	1-2106751-3
	9.70	20 AWG	2	1-2106751-2
	5.70	20 AWG	1	7 1-2106751-1
YELLOW	17.70	18 AWG	4	2106751-4
	13.70	18 AWG	3	2106751-3
	9.70	18 AWG	2	2106751-2
	5.70	18 AWG	1	7 2106751-1

THIS DRAWING IS A CONTROLLED DOCUMENT. DWN 26AUG2009 WM VAN SCYOC  
 CHK 26AUG2009 O. OSAGIE  
 APVD -

**STE** TE Connectivity

ASSEMBLY, IDC SSL CONNECTOR, THROUGH HOLE, PASS THRU

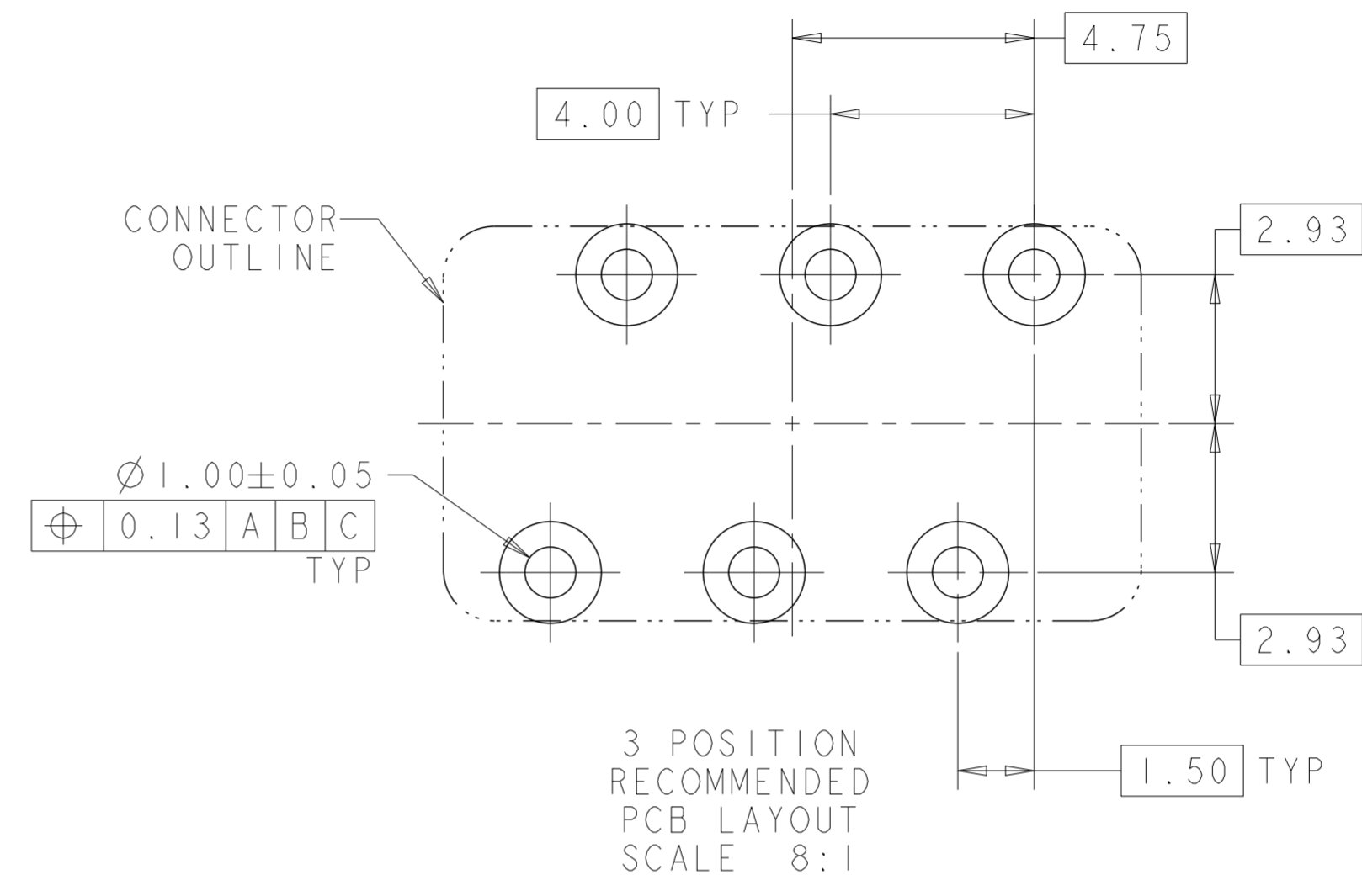
PRODUCT SPEC 108-2404  
 APPLICATION SPEC 114-13266  
 WEIGHT -

SIZE A2 CAGE CODE 00779 DRAWING NO C-2106751 RESTRICTED TO -  
 SCALE 8:1 SHEET 1 OF 3 REV C

Customer Drawing

THIS DRAWING IS UNPUBLISHED. RELEASED FOR PUBLICATION 20  
 © COPYRIGHT 20 BY - ALL RIGHTS RESERVED.

LOC		DIST		REVISIONS			
P	LTR	DESCRIPTION		DATE	DWN	APVD	
-	-	SEE SHEET 1		-	-	-	



THIS DRAWING IS A CONTROLLED DOCUMENT.		DWN 26AUG2009 WM VAN SCYOC	<b>STE</b> TE Connectivity	
		CHK 26AUG2009 O OSAGIE		
DIMENSIONS:	TOLERANCES UNLESS OTHERWISE SPECIFIED:	APVD -	NAME ASSEMBLY, IDC SSL CONNECTOR, THROUGH HOLE, PASS THRU	
mm	0 PLC ± 1 PLC ±0.5 2 PLC ±0.13 3 PLC ± 4 PLC ±	PRODUCT SPEC 108-2404	SIZE CAGE CODE DRAWING NO	
	ANGLES ±	APPLICATION SPEC 114-13266	A200779 C-2106751	
MATERIAL	FINISH	WEIGHT -	RESTRICTED TO	
material_2	finish_spec_2	Customer Drawing	SCALE 8:1	SHEET 1 OF 3 REV C

THIS DRAWING IS UNPUBLISHED. RELEASED FOR PUBLICATION 20  
 © COPYRIGHT 20 BY - ALL RIGHTS RESERVED.

LOC		DIST		REVISIONS				
P	LTR	DESCRIPTION			DATE	DWN	APVD	
-	-	SEE SHEET 1			-	-	-	



SECTION Y-Y

2106751-2 SHOWN IN POCKET TAPE

THIS DRAWING IS A CONTROLLED DOCUMENT.		DWN 26AUG2009 WM VAN SCYOC	 TE Connectivity	
DIMENSIONS: mm		CHK 26AUG2009 O. OSAGIE		
TOLERANCES UNLESS OTHERWISE SPECIFIED:		PRODUCT SPEC		NAME
0 PLC ±	1 PLC ±0.5	108-2404		ASSEMBLY, IDC SSL CONNECTOR, THROUGH HOLE, PASS THRU
2 PLC ±0.13	3 PLC ±	APPLICATION SPEC		SIZE CAGE CODE DRAWING NO
4 PLC ±	ANGLES ±	114-13266		A200779 C-2106751
MATERIAL	FINISH	WEIGHT	RESTRICTED TO	
material_2	finish_spec_2	Customer Drawing	SCALE 8:1	SHEET 1 OF 3 REV C

# Mouser Electronics

Authorized Distributor

Click to View Pricing, Inventory, Delivery & Lifecycle Information:

[TE Connectivity:](#)

[2-2106751-3](#)