

2015

RELEASED FOR PUBLICATION

THIS DRAWING IS UNPUBLISHED.

ALL RIGHTS RESERVED.

BY TE CONNECTIVITY

© COPYRIGHT 2015


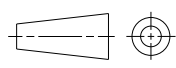
REVISIONS

P	LTR	DESCRIPTION	DATE	DWN	APVD
	E	FIRST ISSUE	06OCT2015	DC	RP

# LOOSE PIECE VERSION OF 150545

THE BARRELS ARE NOT PREFORMED.  
THE CUT OFF TABS COMPLY TO APPLICATION SPEC. 114-3118.

STRIP P/N	LOOSE PIECE P/N
150545-2	150346-2

DIMENSIONS: mm	DWN D.CHIARELLI	06OCT2015	MATERIAL	-	FINISH	-		
	CHK D.CHIARELLI	06OCT2015						
TOLERANCES UNLESS OTHERWISE SPECIFIED:  0 PLC ± 1 PLC ± 2 PLC ± 3 PLC ± 4 PLC ± ANGLES ±	APVD R.PAI	06OCT2015						
	PRODUCT SPEC	-	NAME	MINIATURE FASTON .110 SERIES				
	APPLICATION SPEC	114-3118	SIZE	A 4	CAGE CODE	-		
	WEIGHT	-	DRAWING NO	C=150346		RESTRICTED TO	-	
			CUSTOMER DRAWING		SCALE	DRAWING SCALE 1 OF 1	REV	E

# Mouser Electronics

Authorized Distributor

Click to View Pricing, Inventory, Delivery & Lifecycle Information:

[TE Connectivity:](#)

[150346-2](#)