

## Introducing ITB Card Edge Connector

The ITB (Inverted Thru-Board) Card Edge Connector provides direct power connection between driver boards to the underside of LED array boards. This 2 position, SMT card edge connector provides a perpendicular mating, cable-less, space saving power connection that is ideal for compact LED assembly designs such as those found in today's retrofit lamps & bulbs. The low profile design has a 1.5 mm height above the LED mounted board and accepts either 1.0 mm or 1.2 mm thick driver boards.

### KEY FEATURES

- The ITB card edge connector is surface mounted at the same time as other devices on the PCB eliminating secondary processes
- One piece mating solution for faster and easier assembly operation
- Low profile space saving design. The 1.5 mm height above the PCB minimizes LED light obstruction
- Offered in two versions to accept either 1.0 mm or 1.2 mm thick mating PCB's
- The connector surface mount hold downs provide stability during driver board mating and un-mating
- Designed with round corners to minimize shadowing
- Flat top surface allows for vacuum pick up
- Tape and reel packaging for high speed SMT processing

### APPLICATIONS

- Edison style LED bulbs
- MR16 & PAR series LED replacement lamps
- Indoor and outdoor LED lighting devices
- Various non-lighting applications that require a cable-less, compact, right angle, inverted board to board interconnect

### MECHANICAL

- Operating temperature: - 40° to +125°C
- Mating cycles: 5 max.
- Mating force: 20N max

### ELECTRICAL

- Current Rating: 3.0A MAX
- Voltage Rating: 50V (IEC) / 250 VAC/DC (UL)
- Dielectric Withstand Voltage: 1500 VAC

### MATERIALS

- Housing: High temperature resistant thermoplastic  
UL94V0 flammability rating
- Contact: Copper alloy, tin over nickel plating

### PRODUCT OFFERING

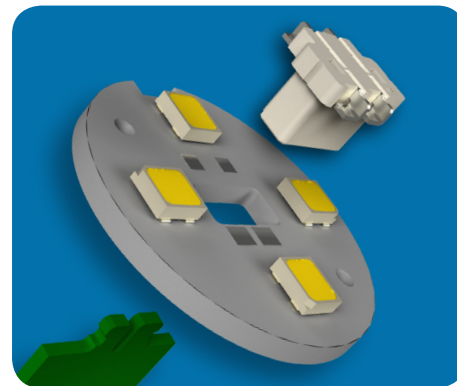
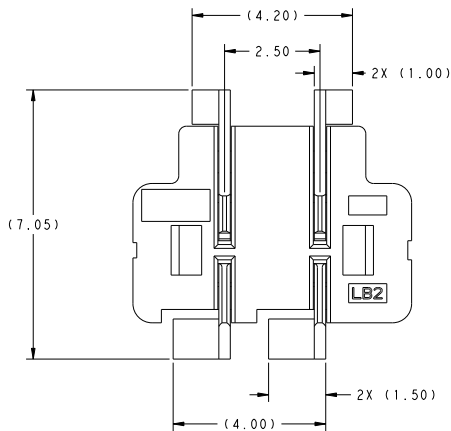
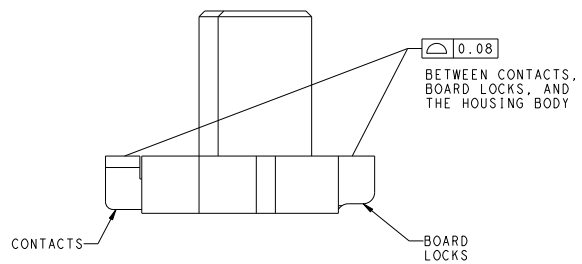
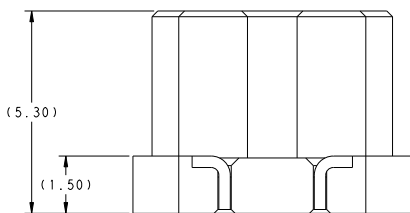
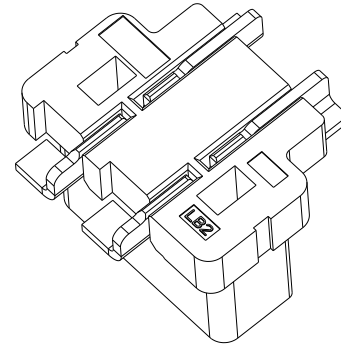
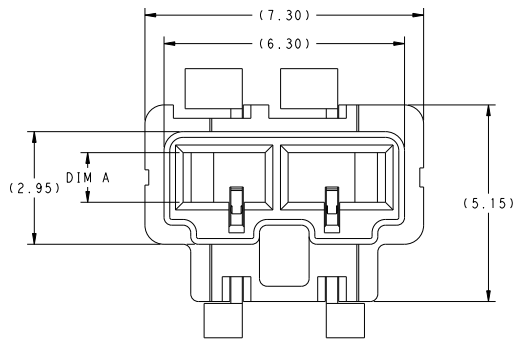
- **1-1971748-2:** 1 mm thick mating PCB
- **1971748-2:** 1.2 mm thick mating PCB

### APPLICATIONS AND SPECIFICATIONS

- UL 1977
- IEC 60838-2-2
- Application specification #: **114-106066**
- Product Specification #: **108-106075**



PRODUCT DIMENSIONS



A Dimension	TE Part Number	PCB Thickness
1.0	1-1971748-2	1.0 mm
1.3	1971748-2	1.2 mm

Dimensions are shown for reference purposes only. Specifications subject to change. Customer drawing should be used for all design activity.



# Mouser Electronics

Authorized Distributor

Click to View Pricing, Inventory, Delivery & Lifecycle Information:

[TE Connectivity:](#)

[1971748-2](#)