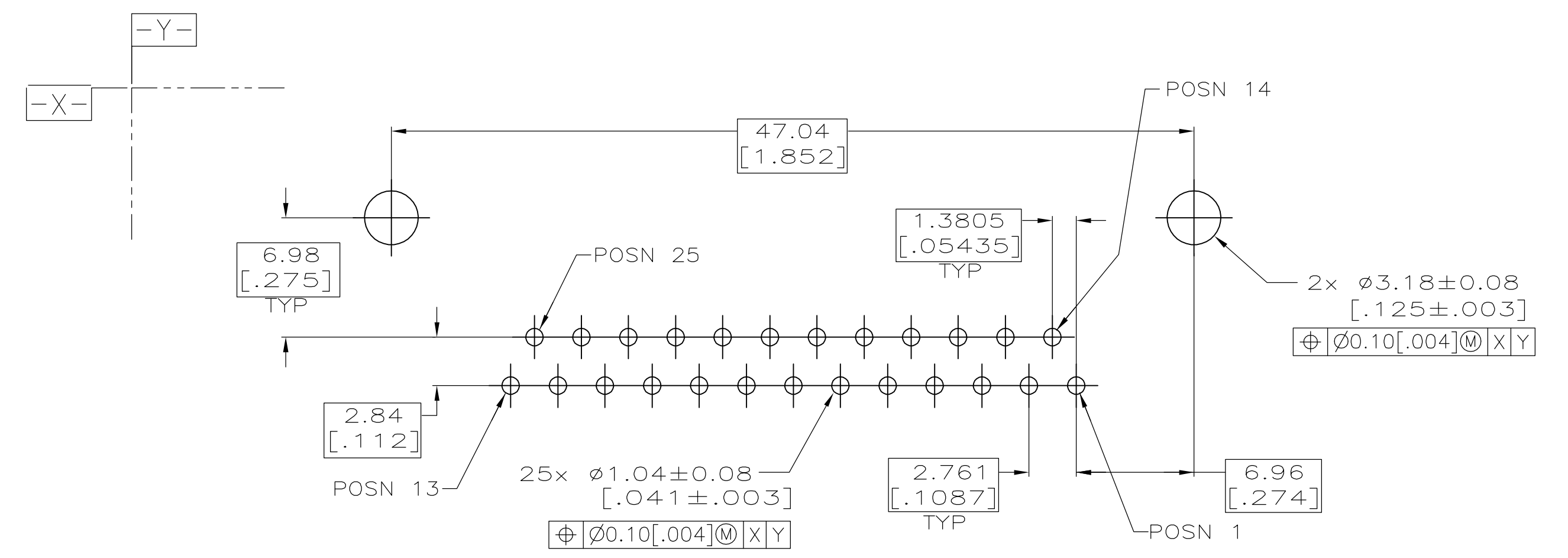
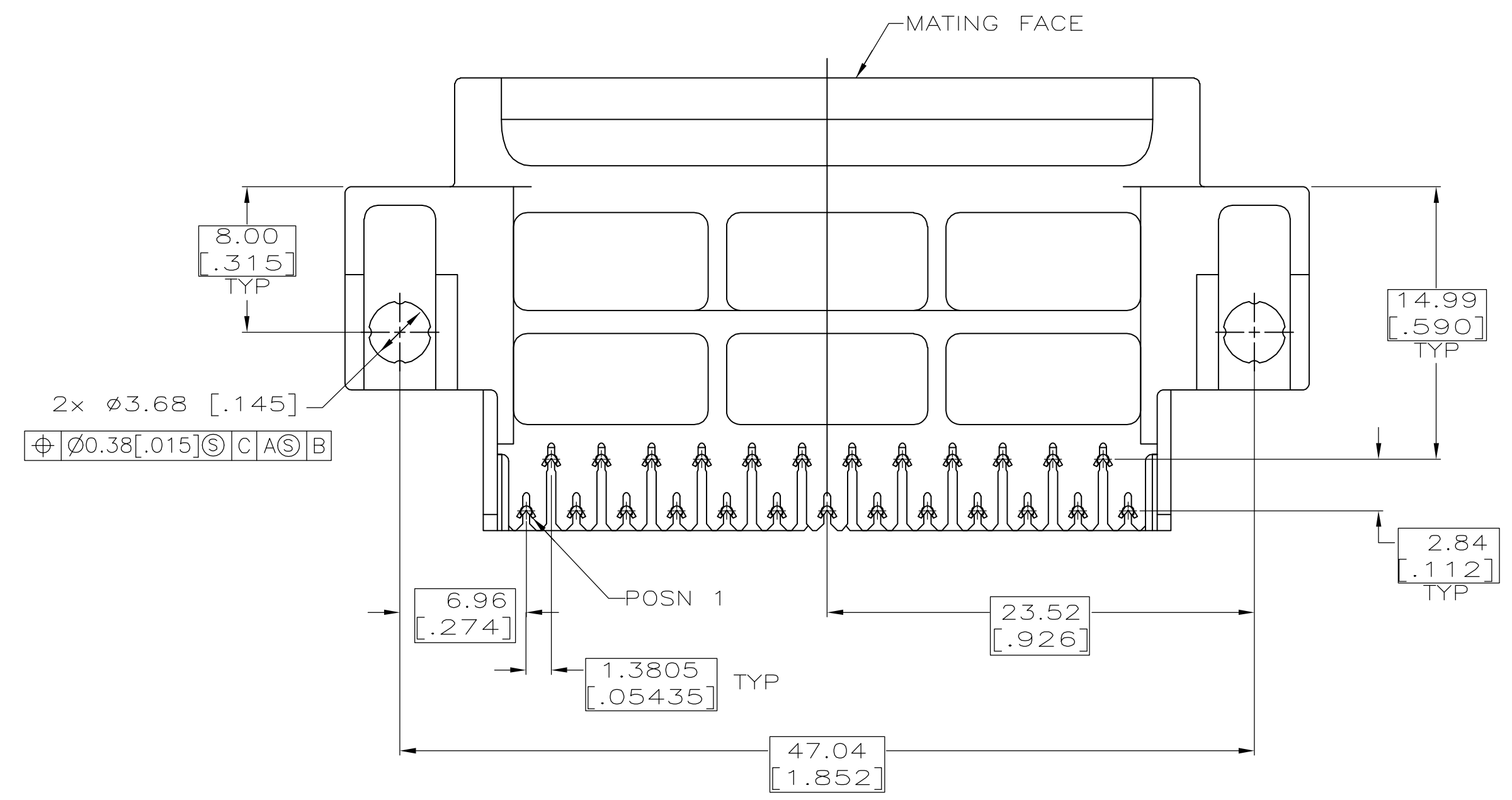
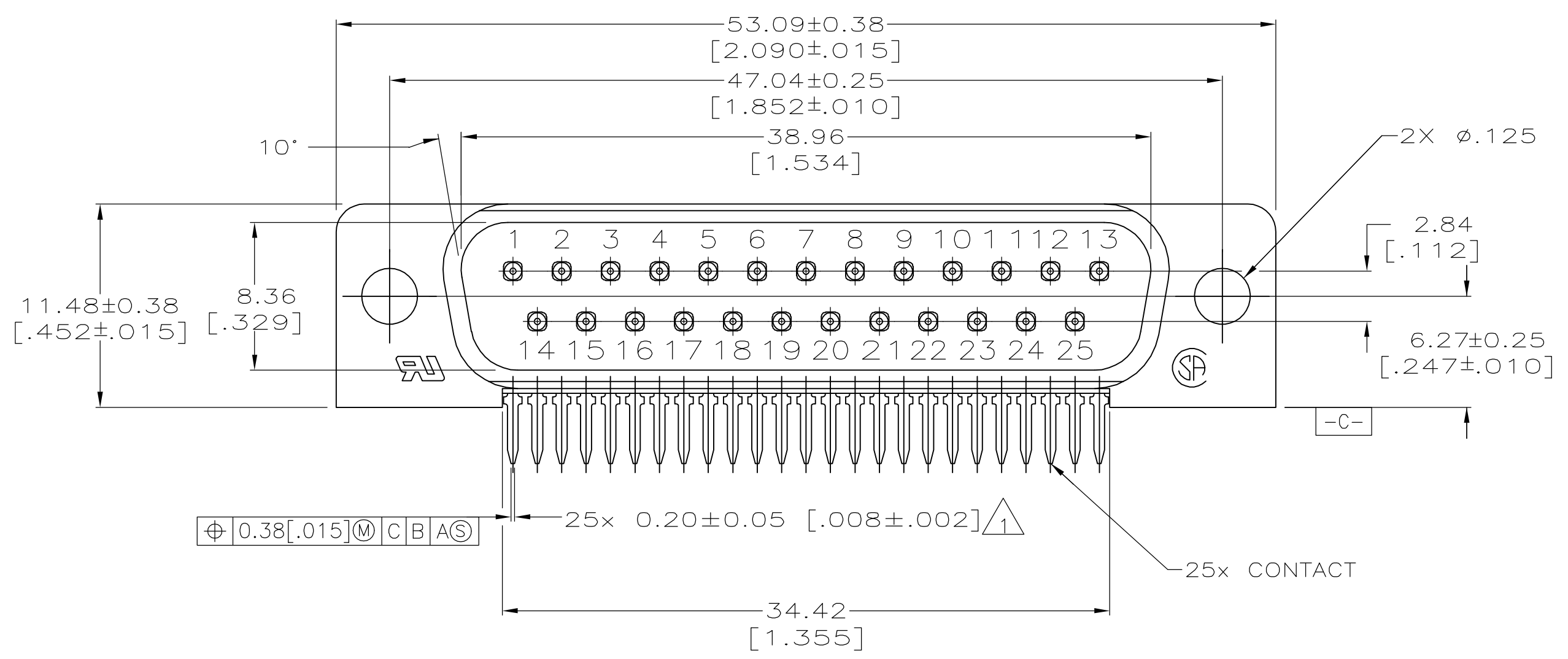
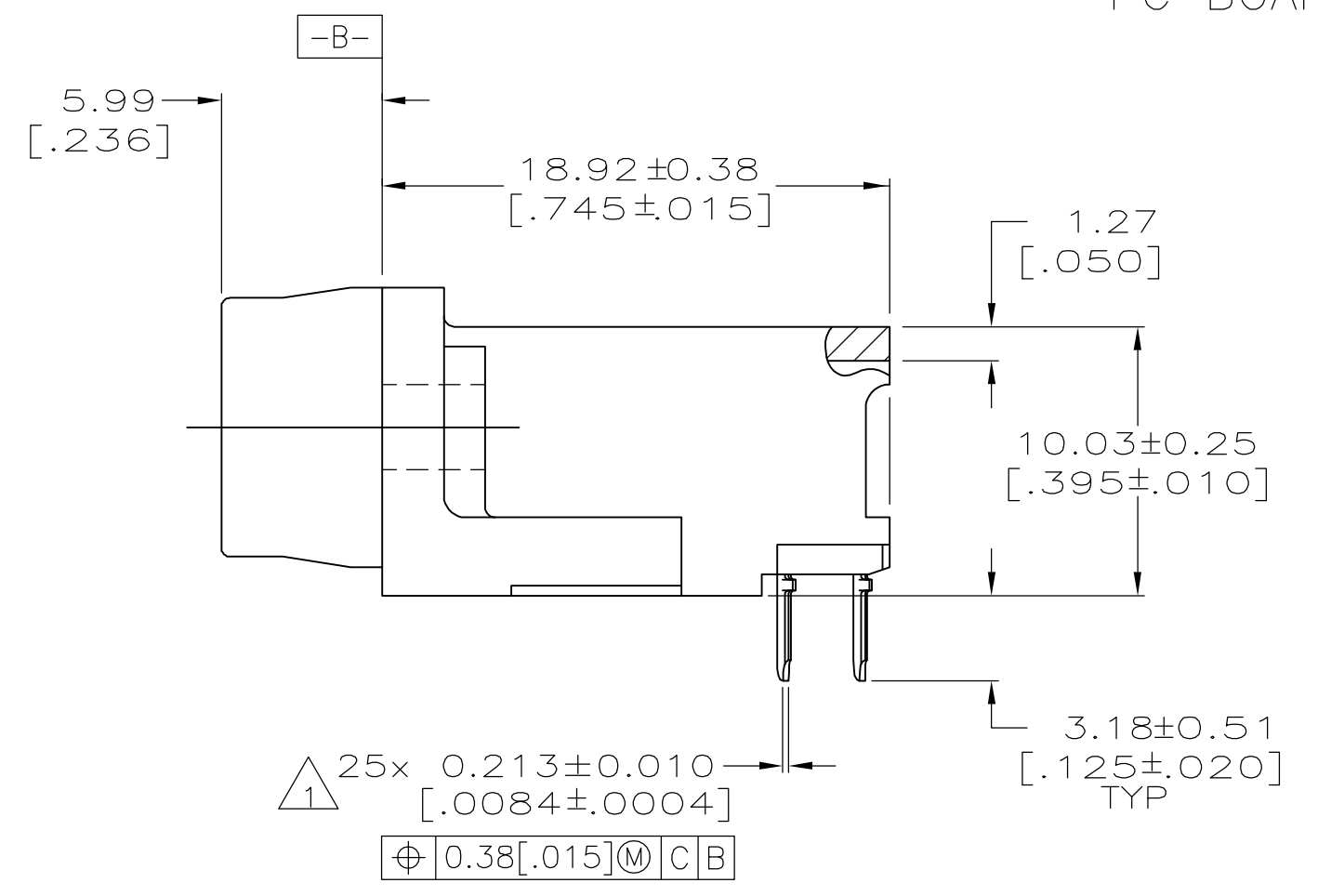


TYCO, PART NO & DATE CODE, MARKED IN AREA INDICATED



PC BOARD MOUNTING DIMENSIONS



- 1 POSITION TOLERANCE APPLIES AT TIP ONLY.
- 2 HOUSING: FLAME RETARDANT UL94V-0 NYLON OR POLYESTER; COLOR: BLACK
CONTACTS: BRASS
- 3 GOLD PLATED FOR A LENGTH OF 3.81[.150] MIN FROM MATING END, 0.76 μm[.000030] MIN GOLD IN MATED AREA, 2.54 μm[.0001] MIN TIN FOR A LENGTH OF 3.68[.145] MIN FROM OPPOSITE END, BOTH OVER 1.27 μm[.000050] MIN NICKEL.
- 4 GOLD PLATED FOR A LENGTH OF 3.81[.150] MIN FROM MATING END, GOLD FLASH IN MATED AREA, 2.54 μm[.0001] MIN TIN FOR A LENGTH OF 3.68[.145] FROM OPPOSITE END, BOTH OVER 1.27 μm[.000050] MIN NICKEL.

4	5748826-2
3	5748826-1
CONTACT FINISH	PART NO

**COPYRIGHT 2005
 TYCO ELECTRONICS CORP
 ALL RIGHTS RESERVED**

THIS DRAWING IS A CONTROLLED DOCUMENT.		DWN G.PETERS	20SEP05	Tyco Electronics Corporation Harrisburg, PA 17105-3608
DIMENSIONS: mm [INCHES]		CHK S.BOLASH	20SEP05	
TOLERANCES UNLESS OTHERWISE SPECIFIED:		APVD M.WALMSLEY	20SEP05	NAME PLUG ASSEMBLY, SIZE 3, 25 POSN, ALL PLASTIC, RIGHT ANGLE, .590 SERIES, AMPLIMITE III
0 PLC ± -		PRODUCT SPEC	108-1226	
1 PLC ± -		APPLICATION SPEC	114-40027	SIZE CAGE CODE DRAWING NO
2 PLC ± 0.13 [005]		FINISH	SEE TABLE	RESTRICTED TO
3 PLC ± -		WEIGHT	-	A1 00779 C=5748826
4 PLC ± -		SCALE	4:1	SHEET 1 OF 1
ANGLES ± 2		CUSTOMER DRAWING		REV O

Mouser Electronics

Authorized Distributor

Click to View Pricing, Inventory, Delivery & Lifecycle Information:

[TE Connectivity:](#)

[5748826-2](#)