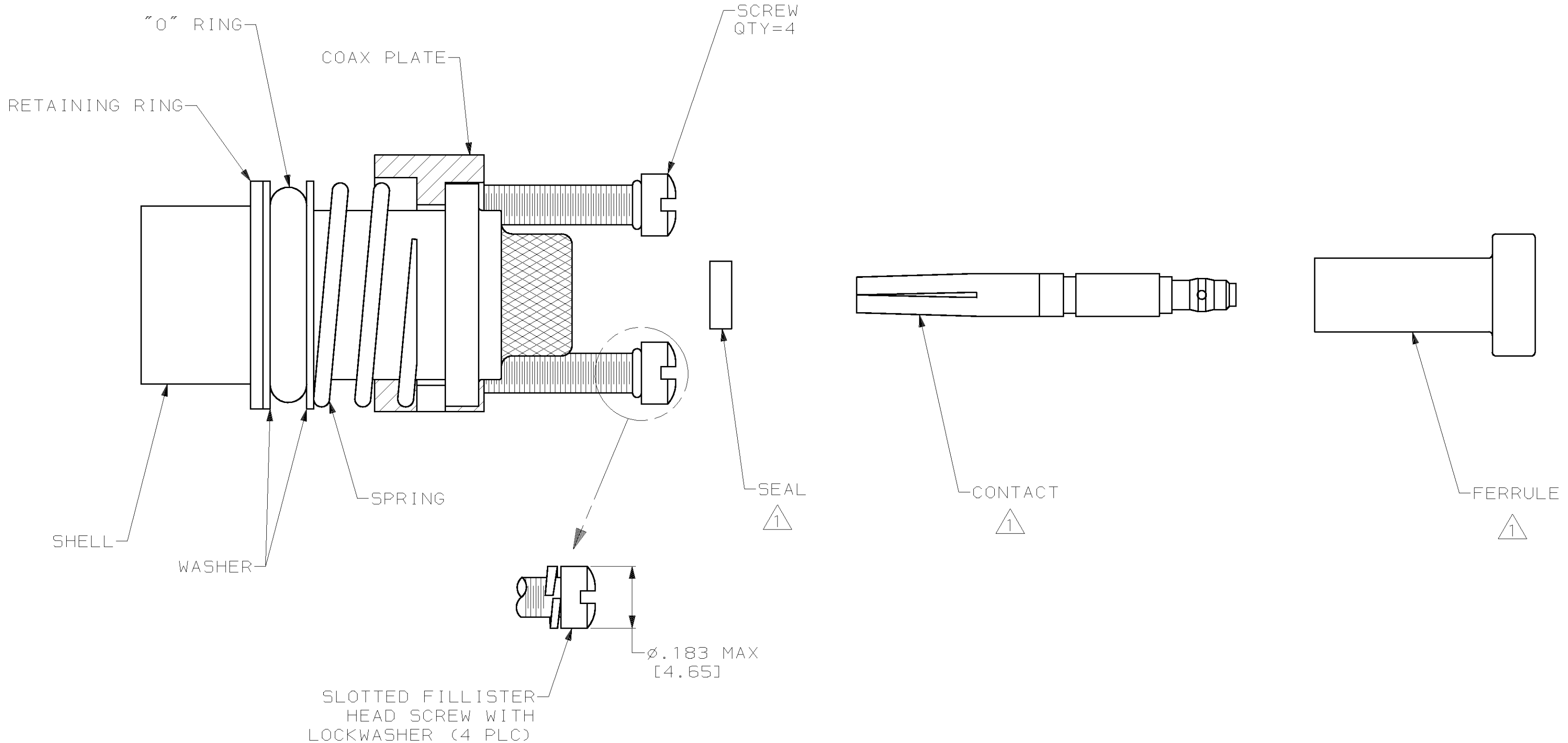


LOC		DIST		REVISIONS				
DF	AO	P	F	ZONE	LTR	DESCRIPTION	DATE	APPD
				C		ADD -4 PER OG3D-0019-99	7-99	CT 56

⚠ PARTS PACKAGED UNASSEMBLED



446709-4 ONLY

DESCRIPTION	PART NUMBER
SIZE ONE COAX KIT FOR RG 142, 142A OR 142B WITH SPECIAL SCREWS	446709-4
SIZE ONE COAX KIT FOR 393	446709-3
SIZE ONE COAX KIT FOR ECS 311201	446709-2
SIZE ONE COAX KIT FOR RG 142, 142A OR 142B	446709-1

DO NOT SCALE PRINT. UNLESS SPECIFIED DIMENSIONS IN INCHES [mm] TOLERANCES ON : 2 PLC DEC ± - 3 PLC DEC ± - ANGLES ± - MATERIAL - FINISH - WEIGHT -	DR M.E.PASTAL 7-26-89	AMP AMP INCORPORATED Harrisburg, Pa. 17105		
	CHK ROBERT HOSSLER 7-27-89			
	APPD ROBERT HOSSLER 7-27-89	NAME	SIZE #1 COAX SUBASSEMBLY KIT, SOCKET, 71C1, ARINC600	
	APPD P.FISHER 7-27-89	PRODUCT SPEC		
	APPLICATION SPEC	SIZE C	CAGE CODE 00779	DRAWING NO 446709
		SCALE 4:1		SHEET 1 of 1

Mouser Electronics

Authorized Distributor

Click to View Pricing, Inventory, Delivery & Lifecycle Information:

[TE Connectivity:](#)

[446709-1](#)