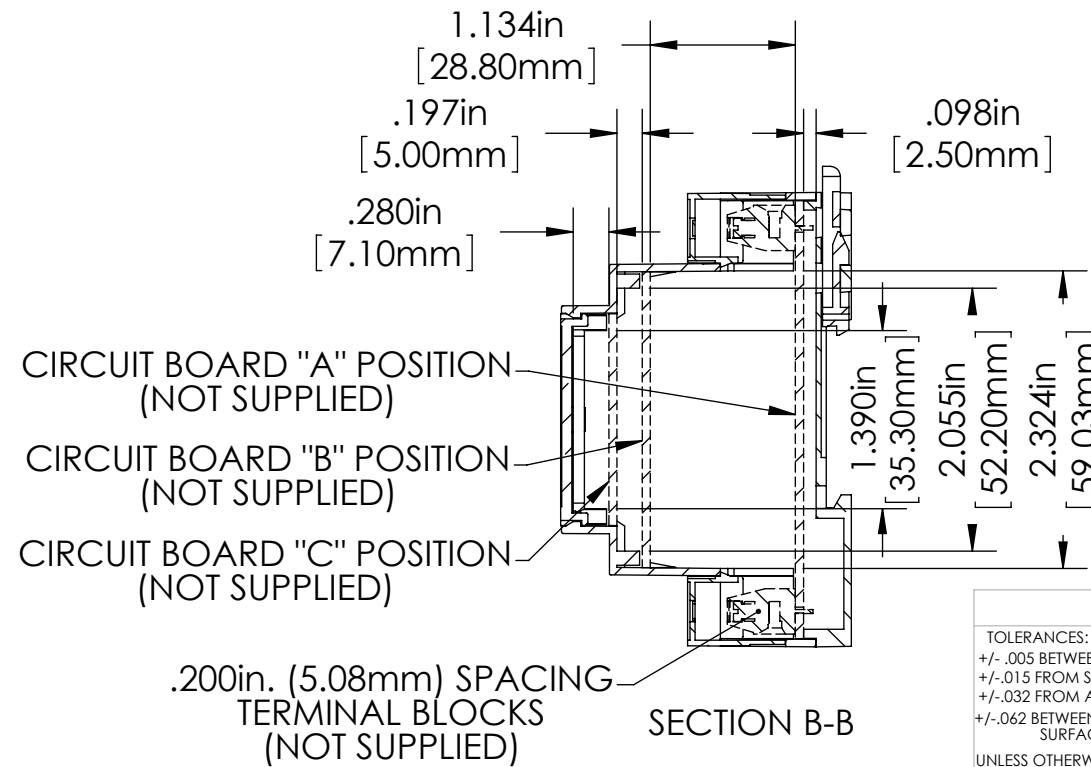
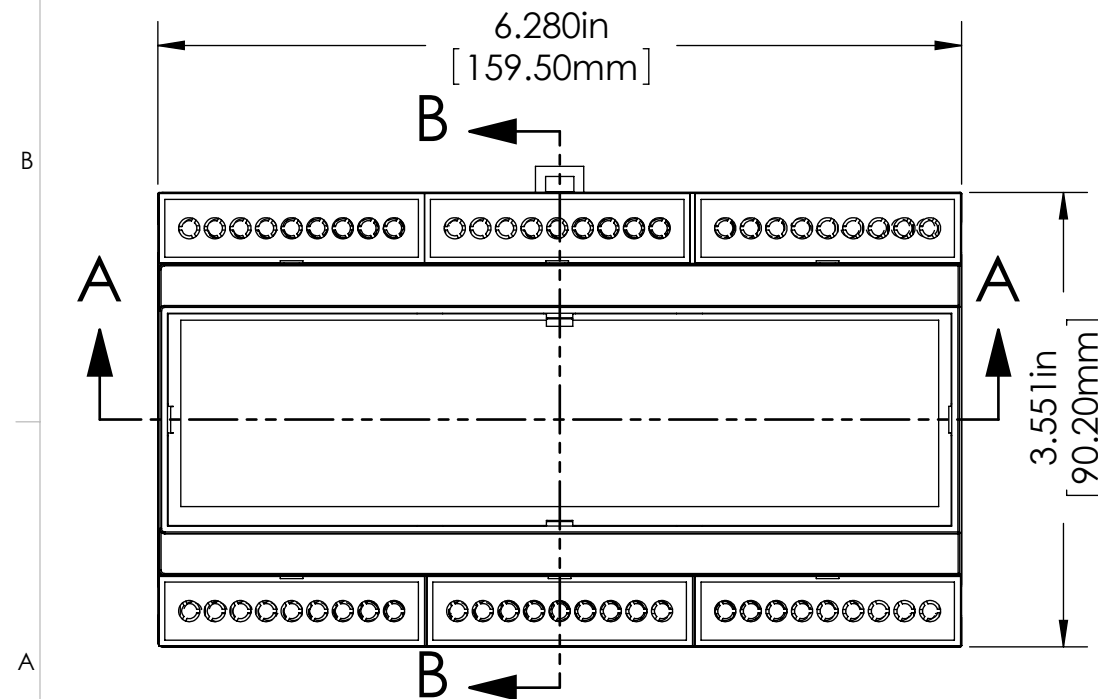
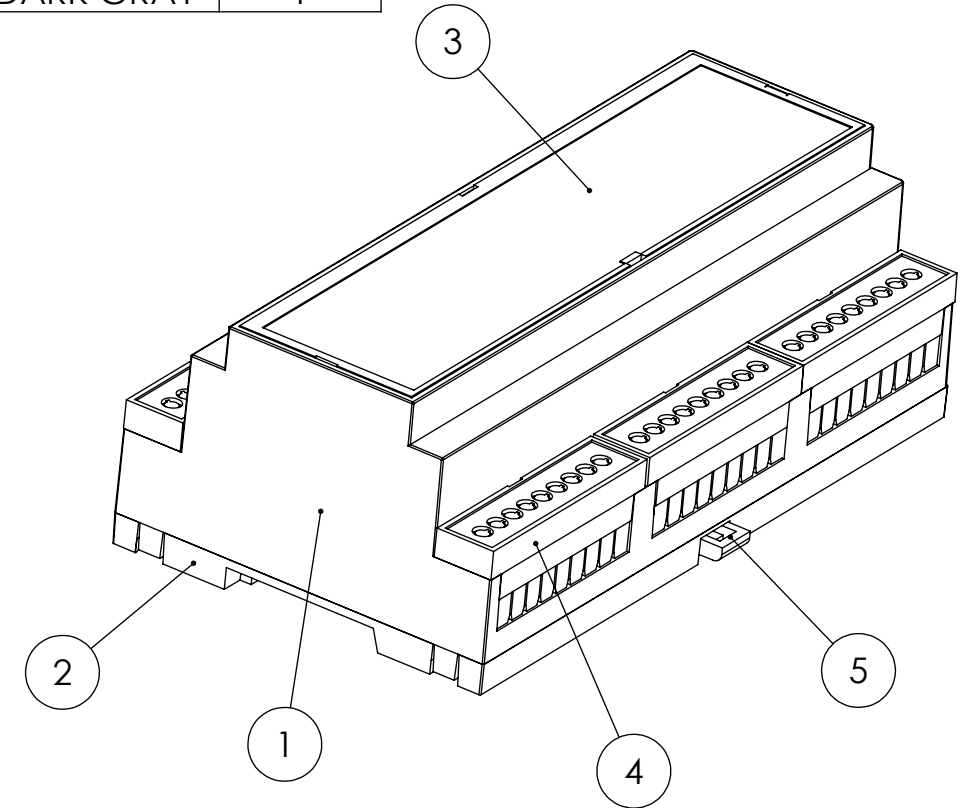
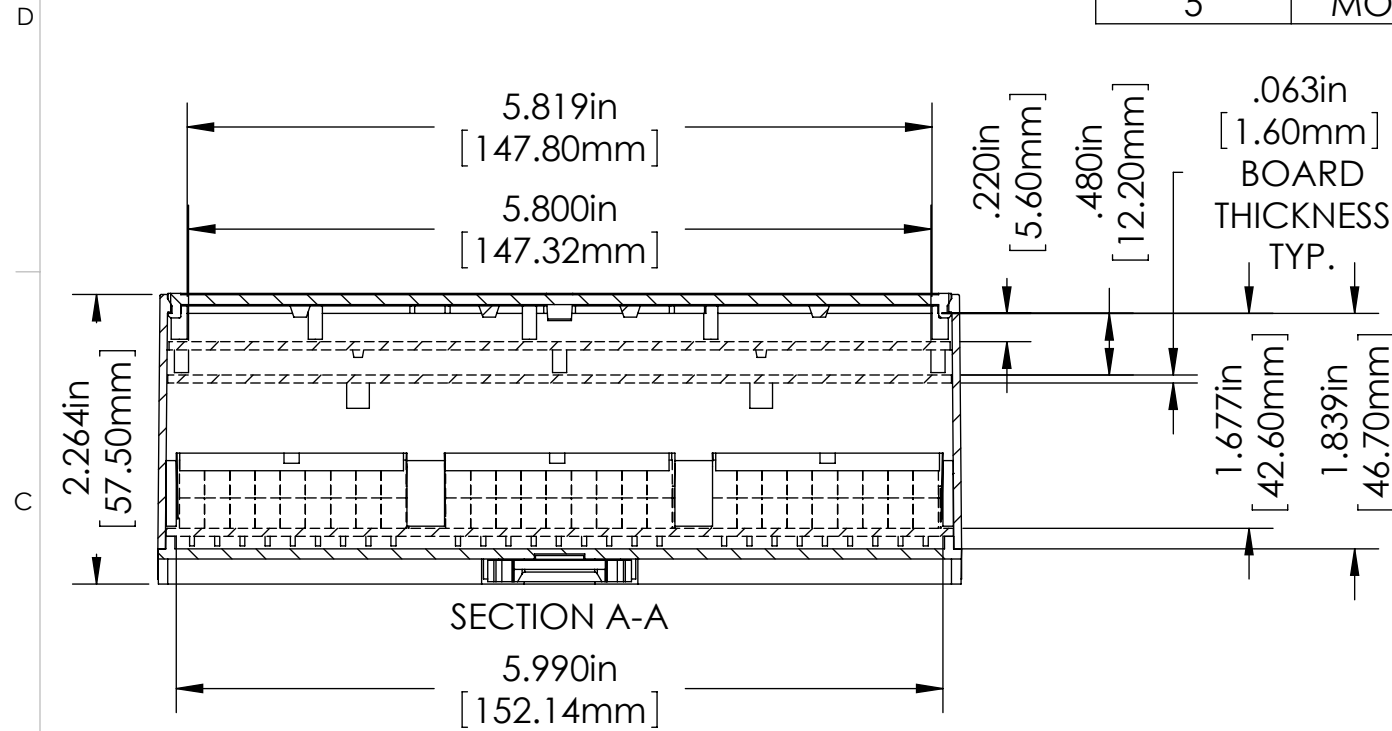


THE INFORMATION CONTAINED IN THIS DRAWING IS THE SOLE PROPERTY OF BUD INDUSTRIES INC. ANY REPRODUCTION IN PART OR WHOLE WITHOUT THE WRITTEN PERMISSION OF BUD INDUSTRIES INC. IS PROHIBITED.

| ITEM NO. | DESCRIPTION | MATERIAL | COLOR | QTY. |
|----------|---------------|----------------|-----------|------|
| 1 | BODY | PC/ABS UL94V-0 | GRAY | 1 |
| 2 | BASE | PC/ABS UL94V-0 | GRAY | 1 |
| 3 | COVER | PC/ABS UL94V-0 | GRAY | 1 |
| 4 | GUARD | PC/ABS UL94V-0 | GRAY | 6 |
| 5 | MOUNTING CLIP | NYLON 66 | DARK GRAY | 1 |

| | |
|----------|--------------------------|
| DWG. NO. | DMB-4774 |
| ISSUE | REVISIONS |
| (A) | REVISIONS 12-7-10 DAB |

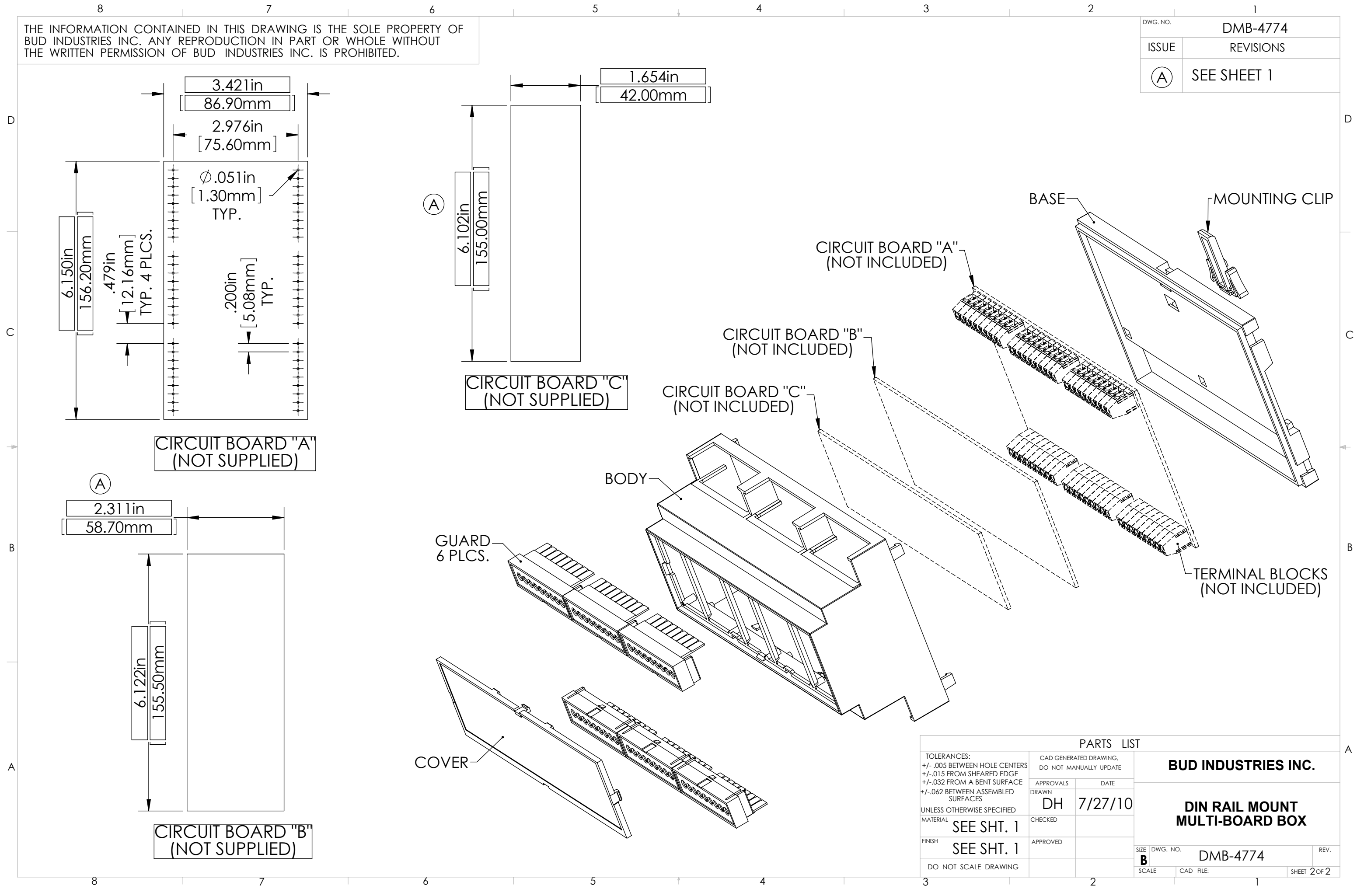


| OPTIONAL ACCESSORIES / REPLACEMENT PARTS | PART NUMBER |
|--|--------------|
| CLEAR POLYCARBONATE COVER | DMB-4774-CC |
| INFRA-RED COVER | DMB-4774-IRC |
| TERMINAL GUARD (PACK OF 2) | DMB-4761-TG |
| MOUNTING CLIP | DMB-4764-MC |

| TOLERANCES: | | PARTS LIST | | BUD INDUSTRIES INC. |
|-------------------------------|-------------------------------------|---|-----------|---------------------|
| +/- .005 BETWEEN HOLE CENTERS | +/- .015 FROM SHEARED EDGE | CAD GENERATED DRAWING, DO NOT MANUALLY UPDATE | APPROVALS | |
| +/- .032 FROM A BENT SURFACE | +/- .062 BETWEEN ASSEMBLED SURFACES | UNLESS OTHERWISE SPECIFIED MATERIAL | DRAWN | 7/27/10 |
| FINISH | DO NOT SCALE DRAWING | AS NOTED | CHECKED | |
| | | AS NOTED | APPROVED | |
| SIZE | DWG. NO. | SCALE | | REV. |
| B | DMB-4774 | | | |
| | | SHEET | | 1 OF 2 |

THE INFORMATION CONTAINED IN THIS DRAWING IS THE SOLE PROPERTY OF
 BUD INDUSTRIES INC. ANY REPRODUCTION IN PART OR WHOLE WITHOUT
 THE WRITTEN PERMISSION OF BUD INDUSTRIES INC. IS PROHIBITED.

| | | |
|----------|-------------|--|
| DWG. NO. | DMB-4774 | |
| ISSUE | REVISIONS | |
| (A) | SEE SHEET 1 | |



| TOLERANCES: | | PARTS LIST | | BUD INDUSTRIES INC. |
|-------------------------------------|---|------------|---------|------------------------------|
| +/- .005 BETWEEN HOLE CENTERS | CAD GENERATED DRAWING, DO NOT MANUALLY UPDATE | APPROVALS | DATE | |
| +/- .015 FROM SHEARED EDGE | | DH | 7/27/10 | |
| +/- .032 FROM A BENT SURFACE | | CHECKED | | |
| +/- .062 BETWEEN ASSEMBLED SURFACES | | APPROVED | | |
| UNLESS OTHERWISE SPECIFIED | | | | |
| MATERIAL | SEE SHT. 1 | | | SIZE DWG. NO. DMB-4774 |
| FINISH | SEE SHT. 1 | | | SCALE CAD FILE: SHEET 2 OF 2 |
| DO NOT SCALE DRAWING | | | | |

Mouser Electronics

Authorized Distributor

Click to View Pricing, Inventory, Delivery & Lifecycle Information:

[Bud Industries:](#)

[DMB-4774](#) [DMB-4774-CC](#) [DMB-4774-IRC](#)