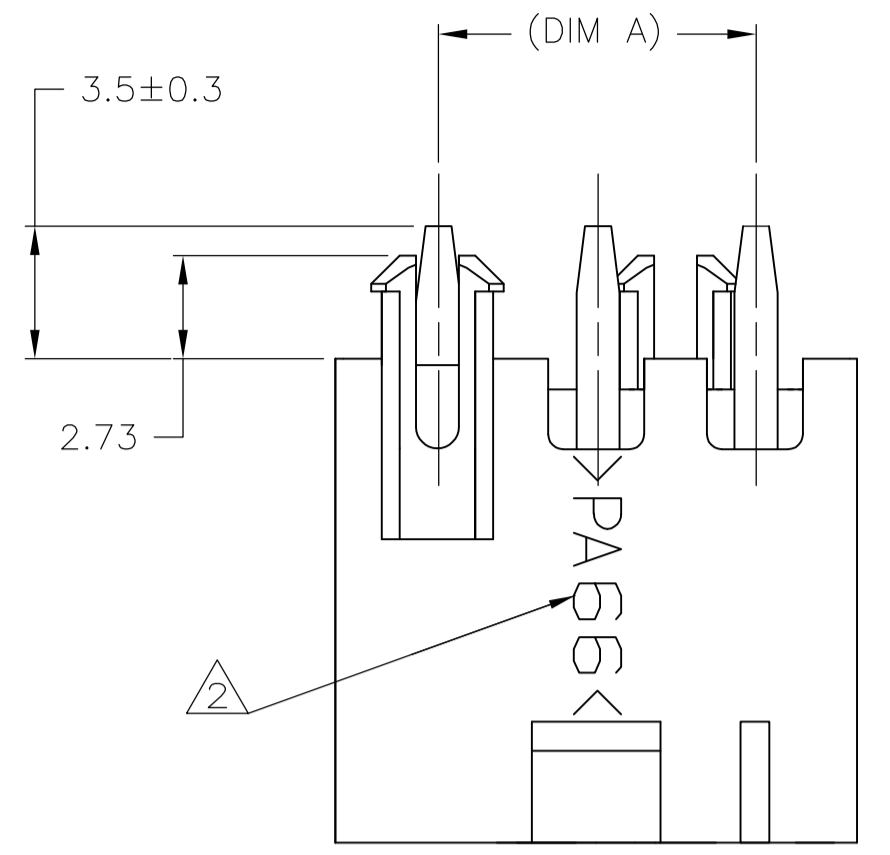
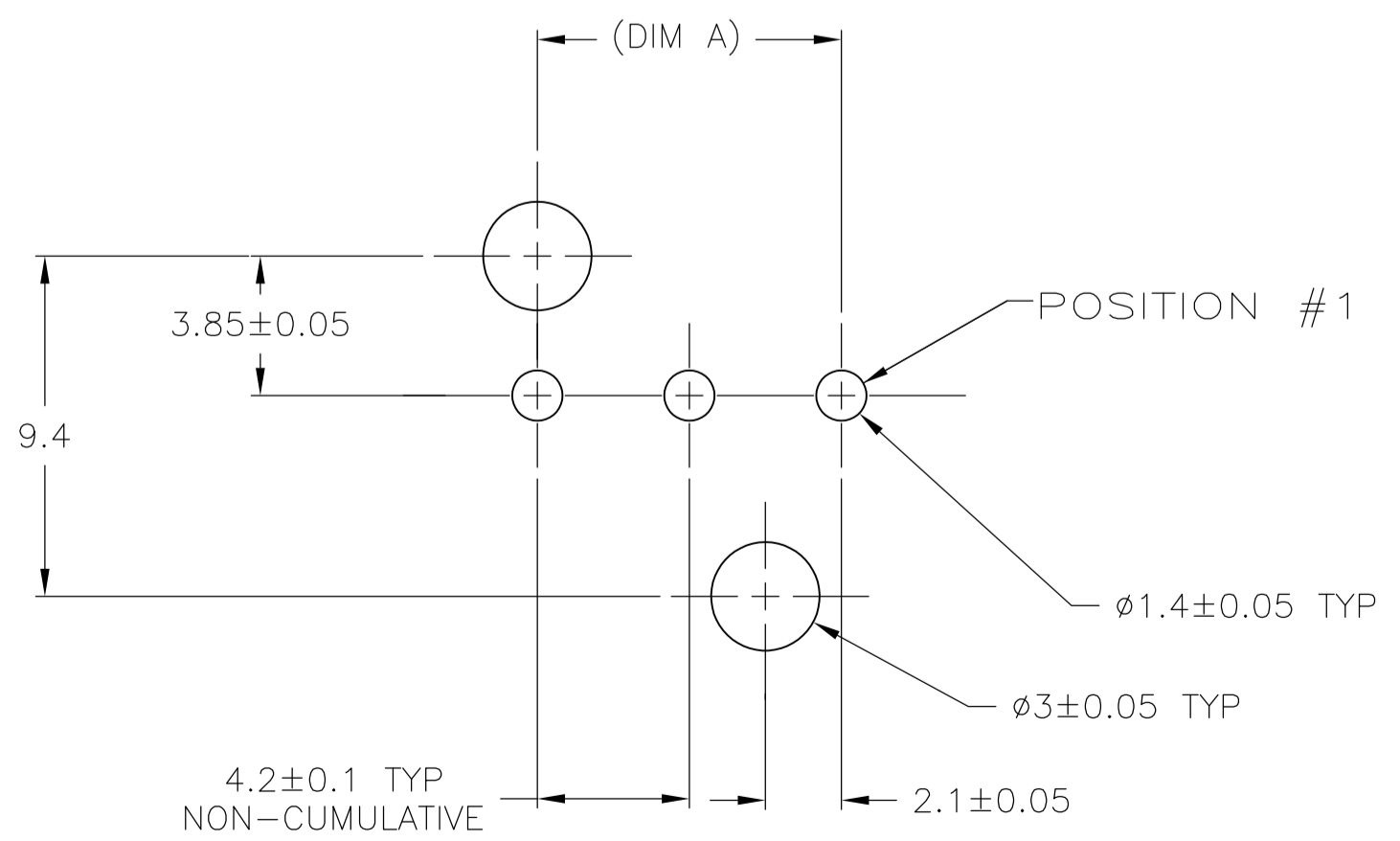
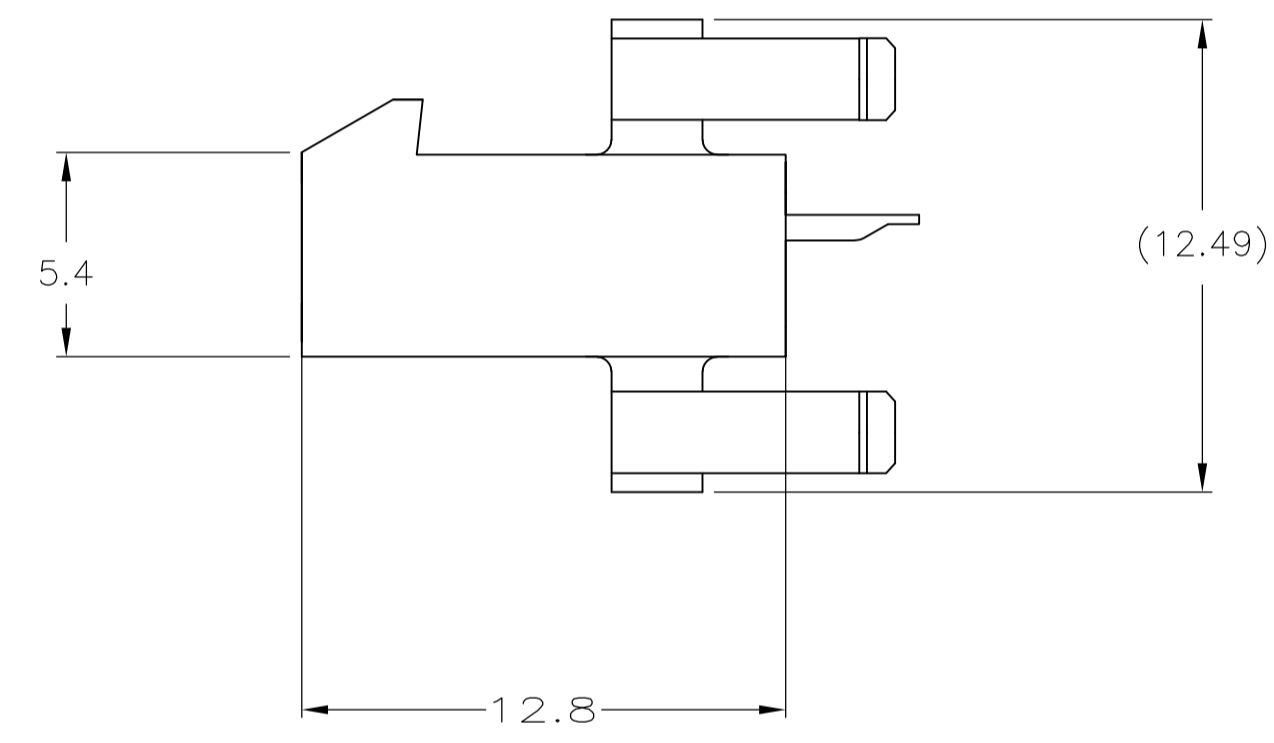
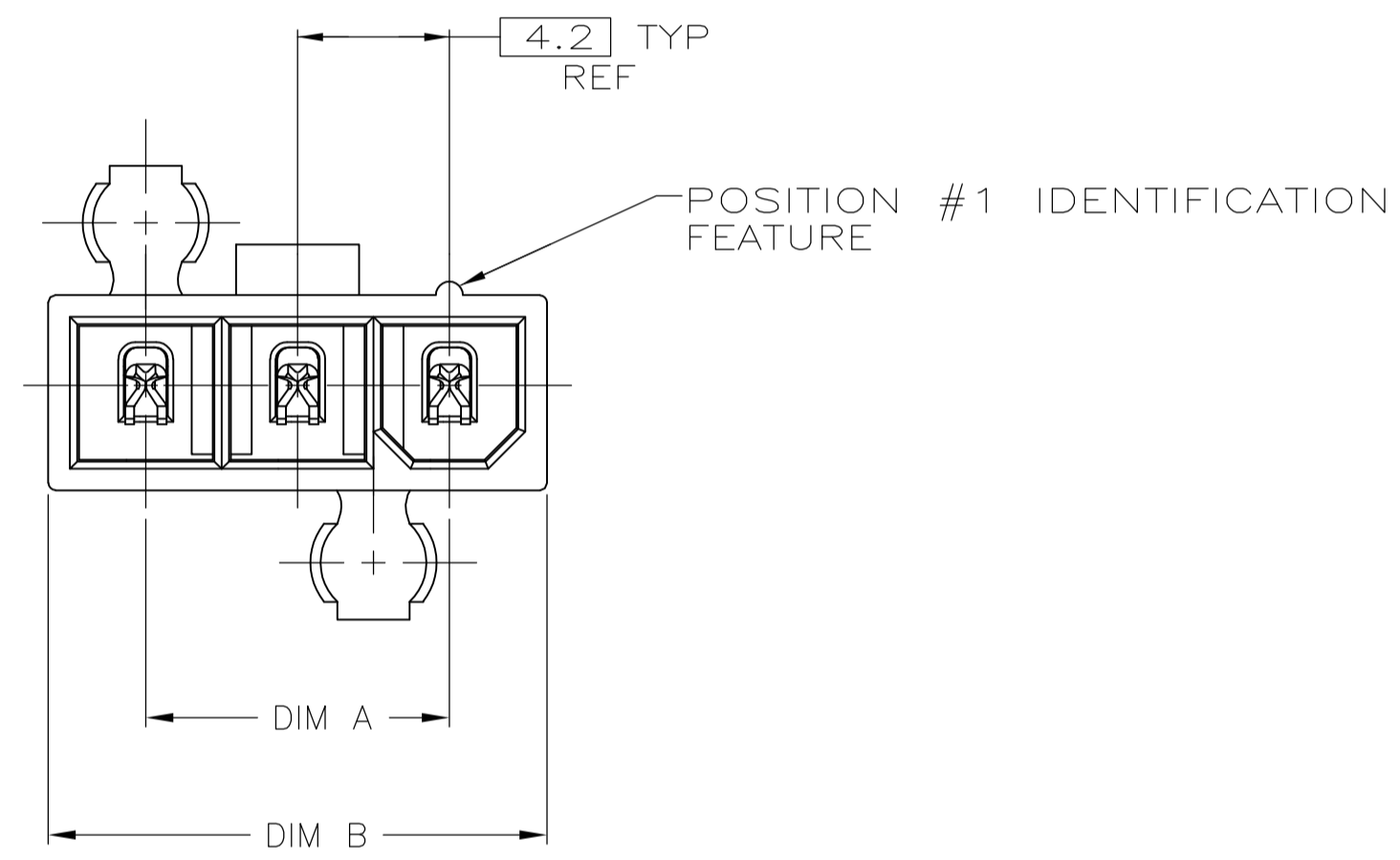


| LOC | | DIST | | REVISIONS | | | |
|-----|----|-------------|---------------|-----------|-----|------|--|
| CM | 00 | REV | DESCRIPTION | DATE | BY | APPV | |
| A1 | | REVISED PER | ECR-11-017436 | 29AUG11 | HMR | SM | |
| A2 | | REVISED PER | ECR-14-018446 | 10DEC14 | A.Z | D.Z | |

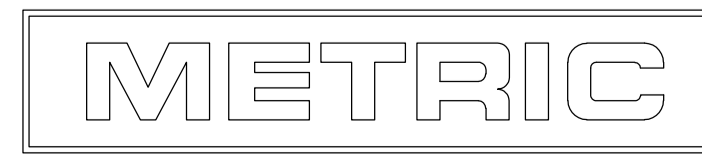


- 1 MATERIAL: HOUSING-NYLON, UL94V-2 (COLOR-NATURAL, COLOR OF PARTS MAY VARY) CONTACTS-0.25 [.010] THICK BRASS ALLOY.
- 2 TYCO ELECTRONICS LOGO AND MATERIAL ID MAY BE LOCATED ON EITHER LONG SIDE OF PART.
- 3 CONTACT FINISH: 0.002032 [.000080] MIN MATTE TIN OVER 0.000381 [.000015] MIN NICKEL OVER ENTIRE CONTACT.
- 4 MATES WITH VAL-U-LOK(TM) RECEPTACLE HOUSINGS.
- 5 PRELIMINARY-NOT FOR PRODUCTION.



RECOMMENDED MOUNTING HOLE PATTERN FOR 1.78 MAX THICK P.C. BOARD COMPONENT SIDE SHOWN

| POST NO.(S) OMITTED | DIM B | DIM A | NO. OF POSITIONS | PART NO |
|---------------------|-------|-------|------------------|-------------|
| 2,3 | 18 | 12.6 | 4 | 2-2029054-4 |
| NONE | 22.2 | 16.8 | 5 | 2029054-5 |
| NONE | 18 | 12.6 | 4 | 2029054-4 |
| NONE | 13.8 | 8.4 | 3 | 2029054-3 |



THIS DRAWING IS A CONTROLLED DOCUMENT.

| | |
|--|---|
| DIM: K. WHITAKER 11JAN2008 | TE Connectivity |
| CHK: C. CASH 11JAN2008 | |
| APVD: C. CASH 11JAN2008 | NAME: PLUG ASSEMBLY, VERTICAL, SINGLE ROW, 94V-2, W/ DRAIN HOLES, VAL-U-LOK(TM) |
| DIMENSIONS: mm | SIZE: A1 |
| TOLERANCES UNLESS OTHERWISE SPECIFIED: | WEIGHT: -- |
| 0 PLC ± - | SCALE: N/A |
| 1 PLC ± 0.2 | SHEET: 1 OF 1 |
| 2 PLC ± 0.13 | REV: A2 |
| 3 PLC ± - | |
| 4 PLC ± - | |
| ANGLES ± 0°30' | |
| MATERIAL: 1 | CUSTOMER DRAWING |
| FINISH: 3 | |

Mouser Electronics

Authorized Distributor

Click to View Pricing, Inventory, Delivery & Lifecycle Information:

[TE Connectivity:](#)

[2029054-3](#)