

4

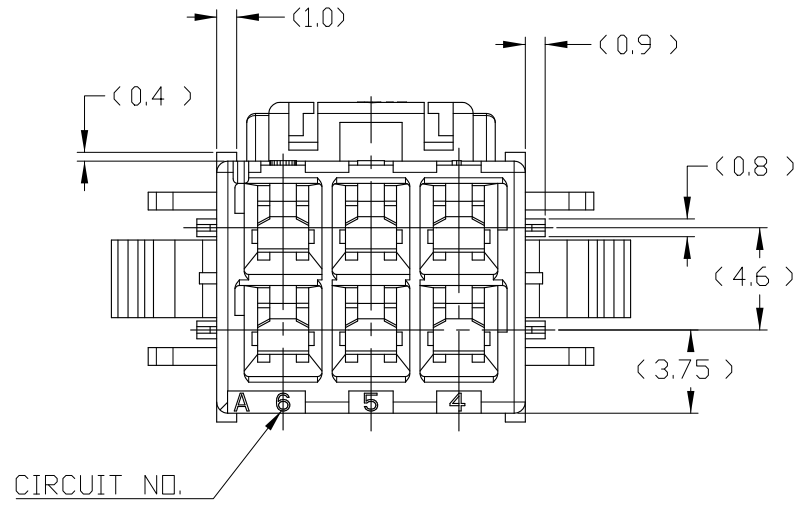
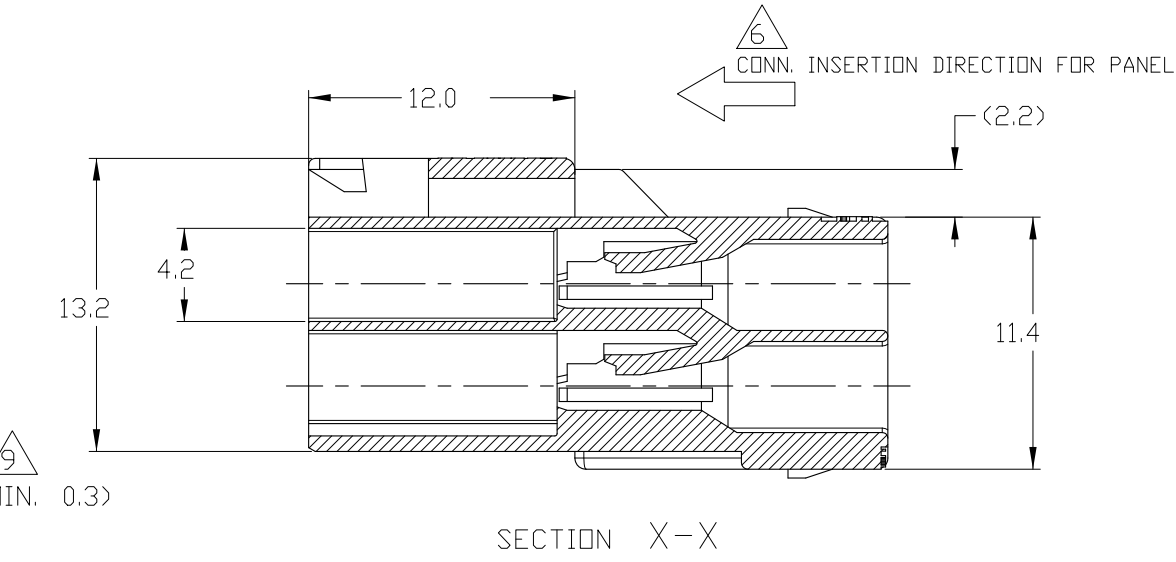
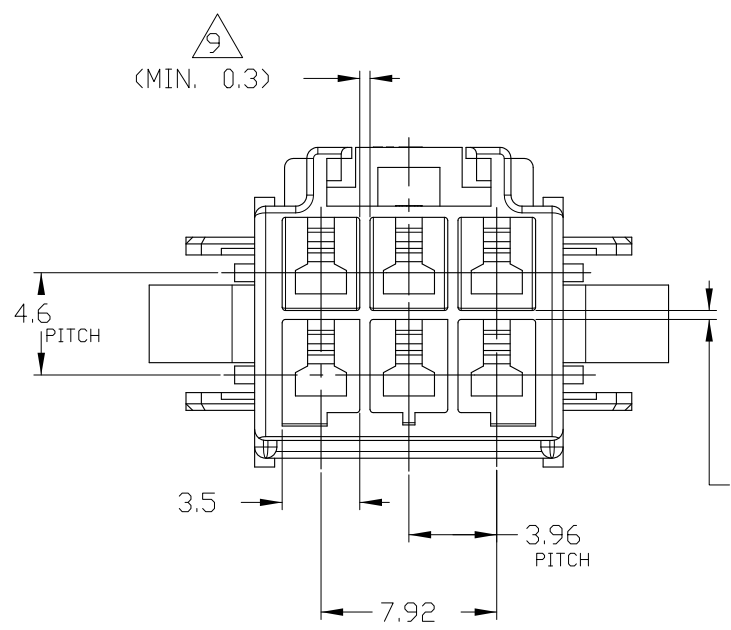
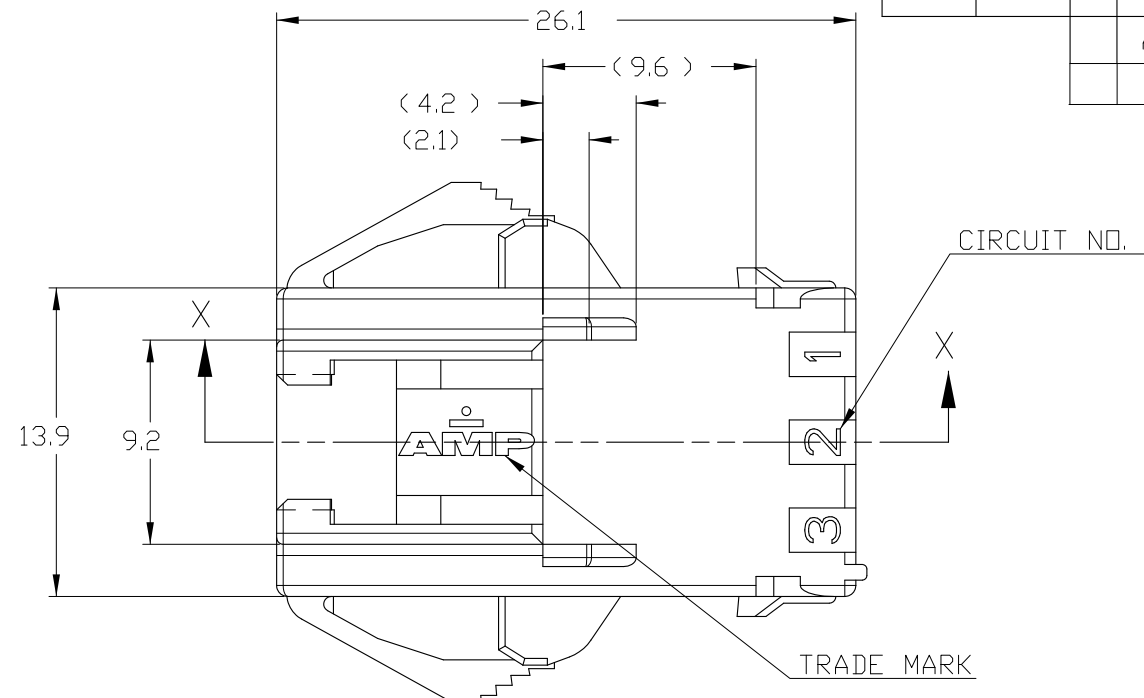
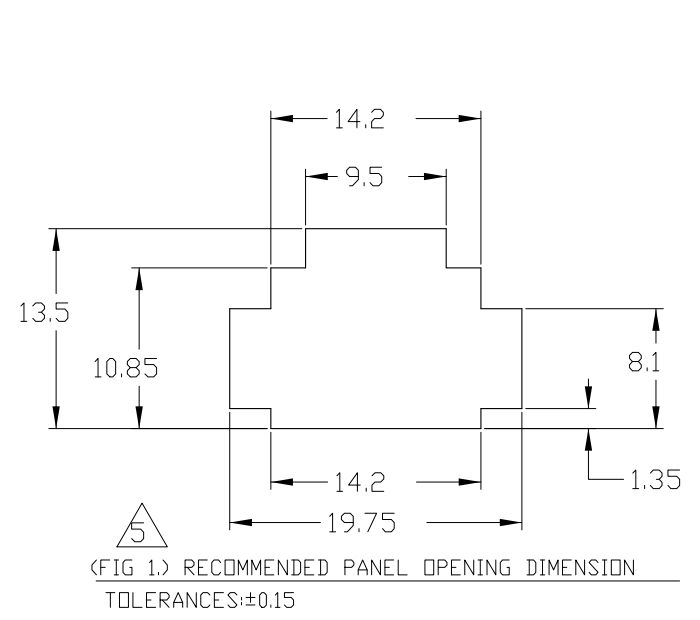
3

2

1

THIS DRAWING IS UNPUBLISHED. RELEASED FOR PUBLICATION 20
 © COPYRIGHT 20 BY TYCO ELECTRONICS CORPORATION. ALL RIGHTS RESERVED.

LOC	DIST	REVISIONS					
DS	-	P	LTR	DESCRIPTION	DATE	DWN	APVD
			A	RELEASED	14.MAR'07	SC	JK
			B	REVISED (ECR-09-011788)	25.MAY'09	SC	JK



NOTE;
 1. APPLICABLE CONTACT P/N
 -TAB CONTACT: 177917- □(AWG#16-#20)
 177916- □(AWG#22-#26)
 2. MATING CONN. P/N
 -PLUG HSG: 368576- □
 -REC CONTACT: 177915- □(AWG#16-#20)
 177914- □(AWG#22-#26)
 3. APPLICABLE DOUBLE LOCK PLATE: 177919-1
 *IT SHOULD BE USED CERTAINLY WHEN CABLE ASS'Y
 4. GENERAL TOLERANCES: ±0.3
 5. APPLICABLE PANEL THICKNESS: 0.8~2.0 (SEE FIG 1.)
 6. INSERT CONN. FROM PRESS DIRECTION SIDE FOR METAL PANEL.
 7. EDGE OF THICKNESS MAY MUST DOT ROUND FOR MOLDED PANEL.
 8. ACCORDING TO IEC 60335-1 4.2 EDITION
 -PART MEETS GWT 750° & 850°C.
 -MATERIAL MEETS BALL PRESSURE TESTING AT 125°C.
 -MATERIAL HAS CTI VALUE OF 250V.
 9. MIN. THICKNESS OF INSULATING WALL

(B)	368588-6	BLUE
(B)	368588-4	YELLOW
(B)	368588-1	NATURAL
	P/N	COLOR

THIS DRAWING IS A CONTROLLED DOCUMENT FOR TYCO ELECTRONICS CORPORATION IT IS SUBJECT TO CHANGE AND THE CONTROLLING ENGINEERING ORGANIZATION SHOULD BE CONTACTED FOR THE LATEST REVISION.		DWN SC KIM		AMP KOREA Kyungsan, Korea	
DIMENSIONS: mm		CHK BW KANG			
TOLERANCES UNLESS OTHERWISE SPECIFIED:		APVD JK SONG		NAME	
0 PLC ±-		PRODUCT SPEC		PDL 6P CAP HSG 3.96mm D/R P/M (GWT)	
1 PLC ±0.3		APPLICATION SPEC		108-61106	
2 PLC ±0.10		WEIGHT		-	
3 PLC ±0.001		SIZE		A3	
4 PLC ±0.0001		CAGE CODE		00779	
ANGLES ±-		DRAWING NO		C- 368588	
MATERIAL (B) PA66(UL94V-0)		FINISH		-	
		CUSTOMER DRAWING		RESTRICTED TO	
		SCALE		#	
		SHEET		1 OF 1	
		REV		B	

Mouser Electronics

Authorized Distributor

Click to View Pricing, Inventory, Delivery & Lifecycle Information:

[TE Connectivity:](#)

[368588-6](#)