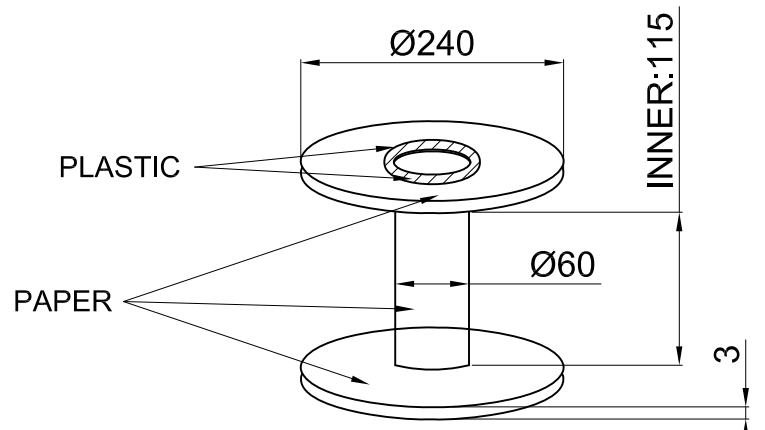


SEC: A-A



1000FT/R." PE" FORM WARPED

PART NO.	L	COLOR
AT-K-26-4-B/1000	1000FT/R	BLACK
AT-K-26-4-W/1000	1000FT/R	WHITE
AT-K-26-4-S/1000	1000FT/R	SILVER GRAY

RoHS compliant
Unit: mm

Scale	Free				Date	Name	Customer-No.
TOLERANCE					Drawn	07.11.2017	Stephen
X.	±0.50				Approved	07.11.2017	Stephen
.X	±0.35						
.XX	±0.15						
.XXX	±0.05						
DIM	TOL						
		①	Drawn	07.11.2017	Stephen	ASSMANN WSW-No. AT-K-26-4-X/1000	
Angle	±3°	Id.	Modification	Date	Name	Drawing-No. ASS 8130 CA rev00	
						Replace	SHEET

