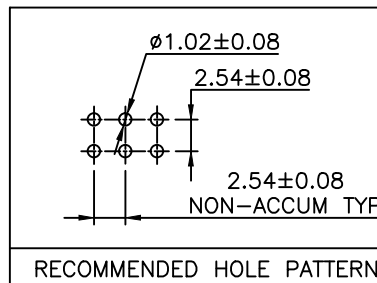
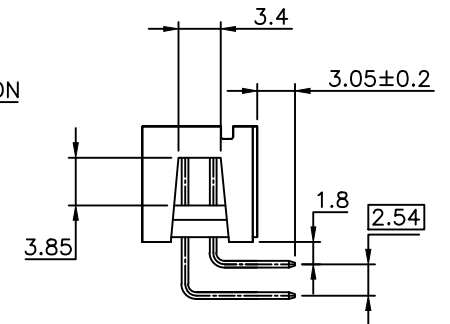
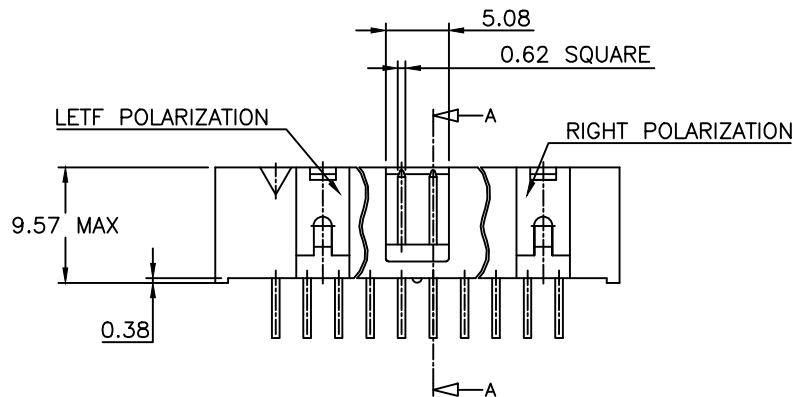
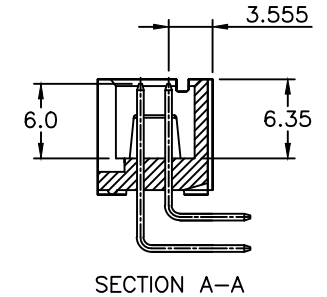
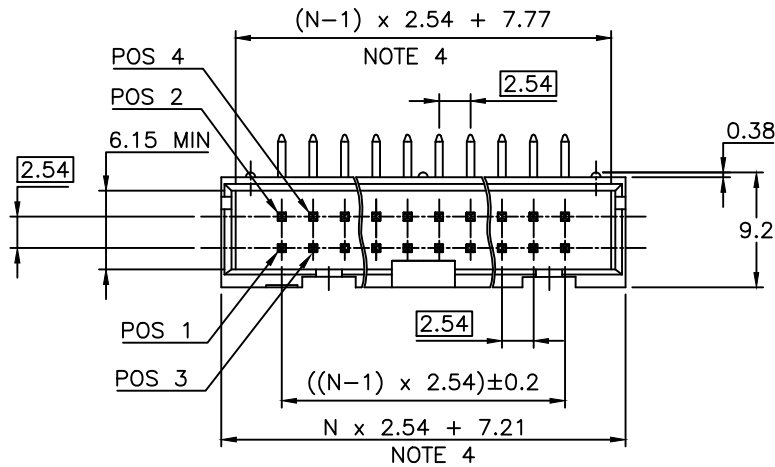


PRODUCT NUMBER
75867-YXXZLF

- RoHS COMPATIBLE, SEE NOTE 5
- COLOR OPTION, SEE NOTE 1
- PIN STYLE, SEE SHEET 2
- PLATING SEE SHEET 2

NOTES:

- 1 - HOUSING MAT'L : GLASS FILLED THERMOPLASTIC. UL94V-0 = STANDARD COLOR BLUE
B = OPTION COLOR BLACK
- 2 - PIN MATERIAL : PHOSPHOR BRONZE
- 3 - PACKAGING :
POLYBAGS FROM 2X02 TO 2X04 POSITIONS
TUBE FROM 2X05 TO 2X32 POSITIONS
- 4 - TO DETERMINE DIMENSIONS :
N = NUMBER OF POSITIONS PER ROW
EXAMPLE : 8 POS $N \times 2.54 = 20.32\text{mm}$
- 5 - RoHS COMPATIBLE PRODUCT SPECIFICATIONS
 - a - PLATING:
- "LF" MEANS THE PRODUCT IS LEAD-FREE, 2µm MINIMUM MATTE TIN OVER 1.27µm MINIMUM NICKEL UNDERPLATE.
 - b - MANUFACTURING PROCESS COMPATIBILITY
- THE HOUSING WILL WITHSTAND EXPOSURE TO 260°C ±5°C SOLDER BATH TEMPERATURE FOR 5 SECONDS IN A WAVE SOLDER APPLICATION WITH A 1.6mm MIN THICK CIRCUIT BOARD.
 - c - LABELLING:
- MEETS PACKAGING SPECS AS PER GS-14-920
 - d - LEGAL STATEMENT: SEE GS-47-0004



mat'l. code SEE NOTES		surface ISO 1302 ✓		tolerance ISO 406 ISO 1101		projection mm		product family QUICKIE	
ltr	ecr no	dr	date	tolerances unless otherwise specified		mm		title SHR.LP.HEADER RA DR TMT	
AJ	F06-0335	LMU	06.12.08	angles	linear	.X ±0.3 .XX ±0.13 .XXX ±0.05		scale 2.5:1	
AK	F07-0198	LMU	07.05.30					dwg no 75867	
AL	F08-0146	YOV	08.04.11					sheet 1 of 2 size A3	
AM	F10-0258	LMU	10.12.15	dr	D.LE	01.01.24		type CUSTOMER Drawing	
AN	B-19072	LMU	14.10.15	enrg	JM.C	01.01.24			
AP	B-19093	LMU	14.10.16	chr	JF.N	01.01.24			
AR	F-21731	AMA	15.08.20	appd	JM.C	01.01.24			
sheet index	revision	AR	AK						
	sheet	1	2						

1

2,3

4

5

6

STANDARD APPLICATION

PIN STYLE	Nbr OF POSITIONS	LEFT POLARIZATION	RIGHT POLARIZATION
30	2 x 2	NO	NO
31	2 x 3	NO	NO
32	2 x 4	NO	NO
01	2 x 5	NO	YES
02	2 x 7	NO	YES
03	2 x 8	YES	YES
04	2 x 10	YES	YES
05	2 x 13	YES	YES
33	2 x 15	YES	YES
06	2 x 17	YES	YES
07	2 x 20	YES	YES
08	2 x 25	YES	YES
09	2 x 30	YES	YES
10	2 x 32	YES	YES

PLATING :

1 = 0.76µm GOLD/GXT
(PdNi WITH GOLD FLASH) ON CONTACT AREA
2µm MIN MATTE TIN ON TAIL

2 = 2µm TIN MIN FULL PLATED

3 = 0.38µm GOLD/GXT
(PdNi WITH GOLD FLASH) ON CONTACT AREA
2µm MIN MATTE TIN ON TAIL

UNDERPLATE : 1.27µm Ni MIN

APPLICATION SPECIFIC

PIN STYLE	Nbr OF POSITIONS	LEFT POLARIZATION	RIGHT POLARIZATION	OMIT PIN
13	2 x 17	YES	YES	5
14	2 x 20	YES	YES	19
34	2 x 5	NO	YES	5
35	2 x 10	YES	YES	19
36	2 x 20	YES	YES	10
37	2 x 20	YES	YES	11
38	2 x 20	YES	YES	20
39	2 x 5	NO	YES	10

PLATING :

1 = 0.76µm GOLD/GXT
(PdNi WITH GOLD FLASH) ON CONTACT AREA
2µm MIN MATTE TIN ON TAIL

2 = 2µm TIN MIN FULL PLATED

3 = 0.38µm GOLD/GXT
(PdNi WITH GOLD FLASH) ON CONTACT AREA
2µm MIN MATTE TIN ON TAIL

UNDERPLATE : 1.27µm Ni MIN



FCIconnect.com

Copyright FCI

mat'l. code		surface		tolerance		projection		product family	
		ISO 1302 ✓		ISO 406 ISO 1001				QUICKIE	
ltr	ecn no	dr	date	tolerances unless otherwise specified		mm		title	
AJ	B-19093	LMU	14.10.16	angles linear		← mm →		SHR.LP.HEADER	
AK	F-21731	AMA	15.08.20			scale N/A		RA DR TMT	
AE	F04-0389	JCO	04.09.21	dr	D.LE	01.01.24		sheet 2 of - size	
AF	F06-0229	AH	06.07.18	engr	JM.C	01.01.24		75867 A3	
AG	F07-0198	LMU	07.05.30	chr	JF.N	01.01.24		type CUSTOMER Drawing	
AH	F08-0148	YOV	08.04.11	appd	JM.C	01.01.24			
sheet index	revision sheet								

Mouser Electronics

Authorized Distributor

Click to View Pricing, Inventory, Delivery & Lifecycle Information:

[FCI / Amphenol:](#)

[75867-101](#) [75867-107](#) [75867-107LF](#) [75867-131](#) [75867-132](#) [75867-133](#) [75867-301LF](#) [75867-105](#) [75867-101LF](#)
[75867-131LF](#) [75867-103](#) [75867-106](#) [75867-108](#) [75867-109](#) [75867-130](#) [75867-301](#) [75867-303](#) [75867-305](#) [75867-306](#) [75867-307](#) [75867-102](#) [75867-105LF](#) [75867-132LF](#) [75867-130TLF](#) [75867-208LF](#) [75867-209LF](#) [75867-210LF](#)
[75867-310LF](#) [75867-330LF](#) [75867-134LF](#) [75867-104LF](#) [75867-102LF](#) [75867-103LF](#) [75867-106LF](#) [75867-108LF](#)
[75867-109LF](#) [75867-110LF](#) [75867-130LF](#) [75867-201LF](#) [75867-202LF](#) [75867-203LF](#) [75867-204LF](#) [75867-205LF](#)
[75867-206LF](#) [75867-207LF](#) [75867-230LF](#) [75867-231LF](#) [75867-232LF](#) [75867-302LF](#) [75867-303LF](#) [75867-304LF](#)
[75867-305LF](#) [75867-306LF](#) [75867-307LF](#) [75867-308LF](#) [75867-309LF](#) [75867-312LF](#) [75867-331LF](#) [75867-332LF](#)
[75867-104](#) [75867-102TLF](#) [75867-138LF](#) [75867-313LF](#) [75867-333LF](#) [75867-338LF](#) [75867-133LF](#) [75867-314LF](#)
[75867-233LF](#) [75867-139BLF](#)