

TECHNICAL CHARACTERISTICS

MATERIAL
 INSULATOR: LCP
 FLAMABILITY RATING: UL94-V0
 COLOR: BLACK
 CONTACT MATERIAL: COPPER ALLOY
 CONTACT TYPE: STAMPED
 CONTACT PLATING: GOLD
 LATCH: STAINLESS STEEL
 QUALITY CLASS: 5000 MATING CYCLES

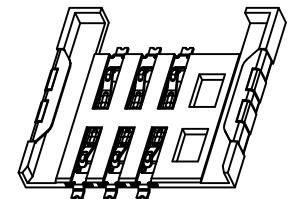
ENVIRONMENTAL
 OPERATING TEMPERATURE: -25 UP TO 85°C
 COMPLIANCE: LEAD FREE AND ROHS

ELECTRICAL
 CURRENT RATING: 0.5A
 WORKING VOLTAGE: 50VAC
 INSULATOR RESISTANCE: >500 MΩ
 DIELECTRIC WITHSTANDING VOLTAGE: 500V AC/MIN
 CONTACT RESISTANCE: 50 mΩ MAX

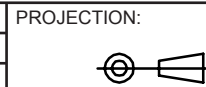
SOLDERING
 JEDEC LEAD FREE REFLOW SOLDERING PROCESS

PACKAGING
 TAPE & REEL

PIN No	NAME	DESCRIPTION
1	Vcc	+5 VDC
2	RESET	RESET
3	CLOCK	Clocking or timing signal
4	GND	Reference
5	Vpp	Programming Voltage
6	1/0	Serial Data



RoHS Compliant			
F	22-AUG-14	LAYOUT DIM.	AS
E	26-NOV-12	PINNING	GG
D	16-AUG-12	LAYOUT	GG
C	27-MAR-12	PINNING	QL
B	10-JAN-12	DRAWING & TKP	GG
A	31-AUG-11	PDF	GG
REV	DATE	FILE	BY



GENERAL TOLERANCE
 .X = +/- 0.2
 .XX = +/- 0.15

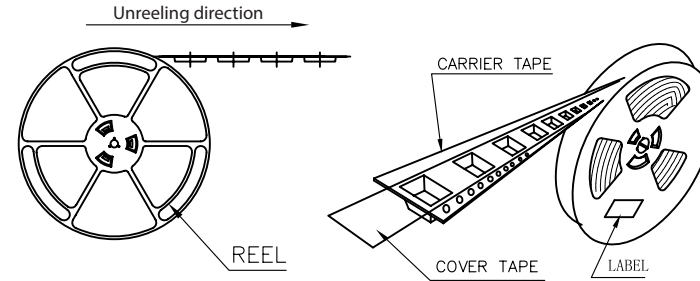
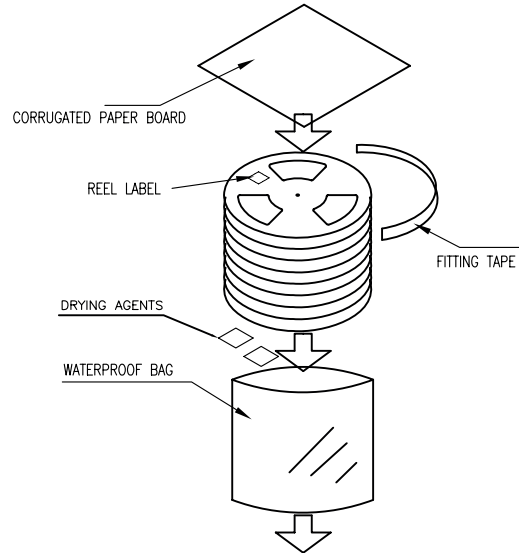
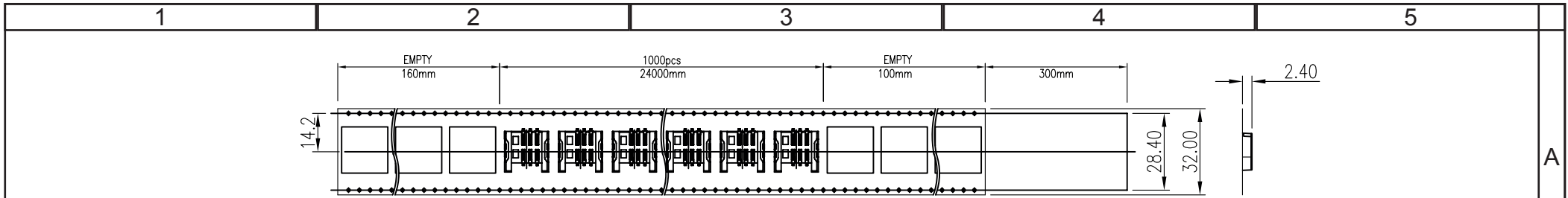


APPROVAL: RJ

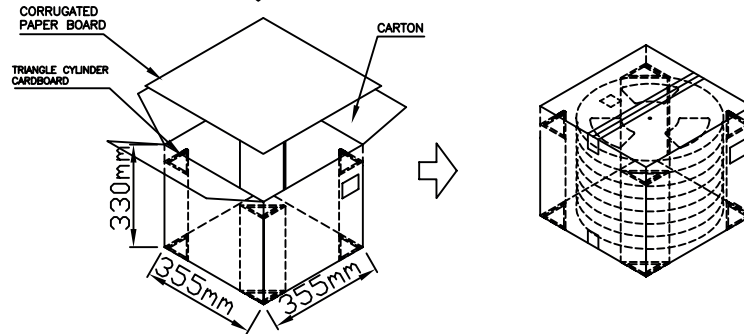
UNIT: MM
 SCALE:
 SHEET: 1/2
 DRAW:

DESCRIPTION: SIM Card Connector - Header - 6 pins
 WERI PART NO: 693 010 010 601

SIZE
A4



1200 Pcs/Reel
 9 Reels/Carton
 10800 Pcs/Carton



RoHS Compliant			
REV	DATE	FILE	BY

PROJECTION: 	GENERAL TOLERANCE		DESCRIPTION: SIM Card Connector - Header - 6 pins WERI PART NO: 693 010 010 601	SIZE A4	
	.X = +/- 0.2 .XX = +/- 0.15				UNIT: MM
	APPROVAL: RJ	SCALE:			
		SHEET: 2/2			
	DRAW:				

Mouser Electronics

Authorized Distributor

Click to View Pricing, Inventory, Delivery & Lifecycle Information:

[Wurth Electronics:](#)

[693010010601](#)