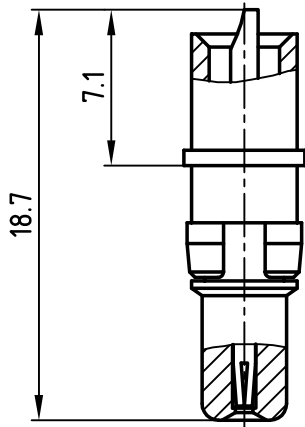
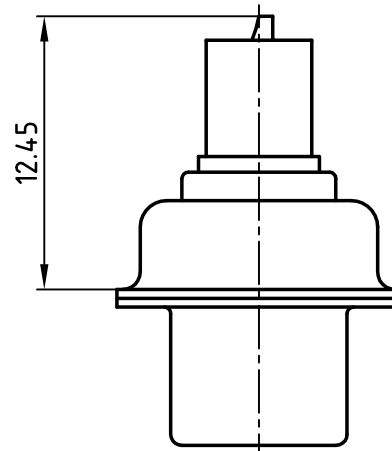
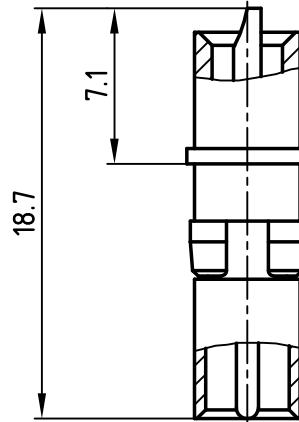


used for: DIN EN 60603

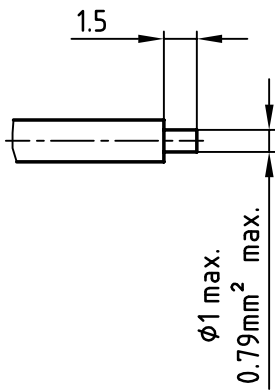
Plug contact
131J14019X



Socket contact
132J14019X



Directive 2002/95/EC
„RoHS“
Compliant



ⓑ MATERIAL:

1. INSULATOR: PLUG CONTACT: PTFE; BLUE
SOCKET CONTACT: PTFE; WHITE
2. CONTACT: COPPER ALLOY; GOLD PLATED
3. RETAINING RING: COPPER ALLOY; NICKEL PLATED

THIS DRAWING MAY NOT BE COPIED OR
REPRODUCED IN ANY WAY, AND MAY NOT
BE PASSED ON TO A THIRD PARTY WITHOUT
WRITTEN PERMISSION.
OWNERSHIP AND COPYRIGHT OF CONEC GmbH
DO NOT ALTER CAD DRAWING BY HAND

rev.	description	date	name
1 x b	Ä3527	14.12.2009	Henneb.
a	Origin		

tolerance



scale: 3:1

material:

title:

HIGH VOLTAGE CONTACT
for solder straight
Socket contact + plug contact

dwg no:

AutoCAD 2000

DIN-A

13K1A568

4

sh: 1/1

part no:

SEE DRAWING



Mouser Electronics

Authorized Distributor

Click to View Pricing, Inventory, Delivery & Lifecycle Information:

[CONEC:](#)

[131J14019X](#)