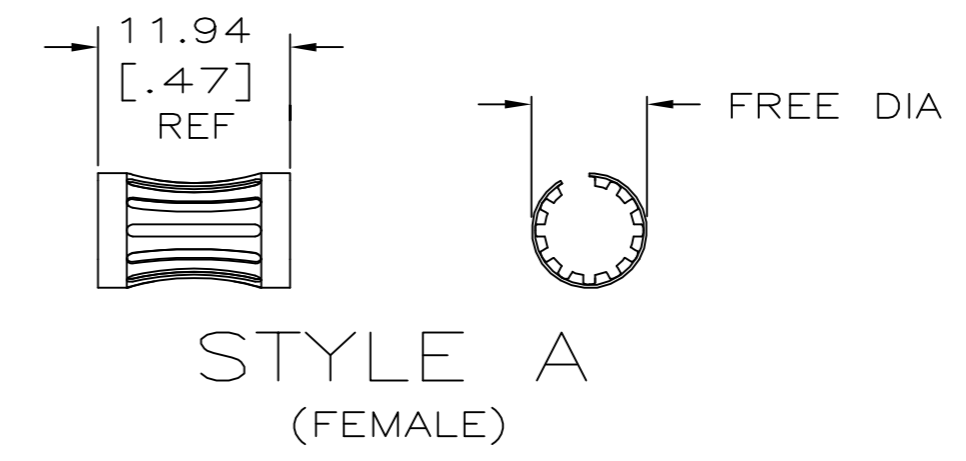
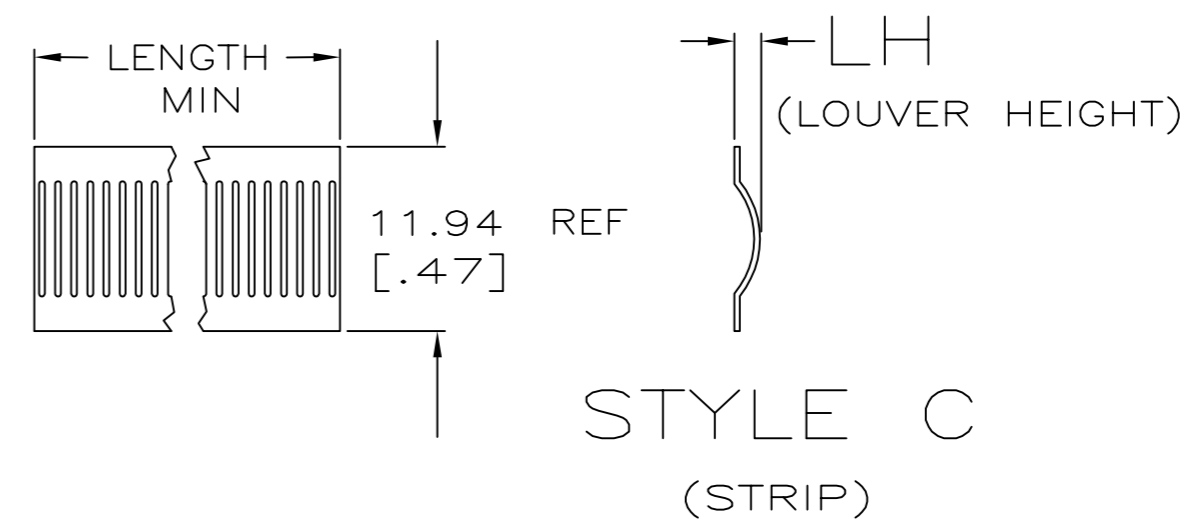


THIS DRAWING IS UNPUBLISHED. RELEASED FOR PUBLICATION  
 © COPYRIGHT - By - ALL RIGHTS RESERVED.

REVISIONS					
P	LTR	DESCRIPTION	DATE	DWN	APVD
J		REVISED PER ECO-15-011609	05NOV2015	NK	MZ
K		REVISED PER ECO-17-013721	15NOV2017	RS	MZ

A	[.34]	[.043]	--	12	6.35	[.250]	UNPL	18	0.15	[.006]	03142	5-192038-0	OBSOLETE	16	
A	[.34]	[.030]	--	12	6.35	[.250]	3-2	18	0.15	[.006]	03028	4-192038-9			
A	[.34]	[.030]	--	12	6.35	[.250]	1-2	18	0.15	[.006]	03086	4-192038-8			
A	[.34]	[.030]	--	12	6.35	[.250]	UNPL	18	0.15	[.006]	03074	4-192038-7	OBSOLETE	16	
A	--	--	--	12	6.30	[.248]	UNPL	19	0.30	[.012]	--	4-192038-6	15		
A	--	--	--	12	6.30	[.248]	UNPL	19	0.28	[.011]	--	4-192038-5	15		
A	[.35]	[.034]	--	12	6.30	[.248]	3-2	19	0.25	[.010]	03025	4-192038-4	16		
A	[.35]	[.034]	--	12	6.30	[.248]	1-2	19	0.25	[.010]	03147	4-192038-3	OBSOLETE	16	
A	[.35]	[.034]	--	12	6.30	[.248]	UNPL	19	0.25	[.010]	03111	4-192038-2	OBSOLETE	16	
A	[.32]	[.038]	--	12	6.00	[.236]	4-2	17	0.20	[.008]	03137	4-192038-1	OBSOLETE	16	
A	[.32]	[.038]	--	12	6.00	[.236]	3-2	17	0.20	[.008]	03023	4-192038-0			
A	[.32]	[.038]	--	12	6.00	[.236]	1-2	17	0.20	[.008]	03065	3-192038-9	16		
A	[.32]	[.034]	--	12	6.00	[.236]	UNPL	17	0.20	[.008]	03061	3-192038-8	OBSOLETE	16	
A	[.33]	[.034]	--	12	6.00	[.236]	3-2	17	0.15	[.006]	03022	3-192038-7	OBSOLETE	16	
A	[.33]	[.034]	--	12	6.00	[.236]	1-2	17	0.15	[.006]	03113	3-192038-6	16		
A	[.33]	[.034]	--	12	6.00	[.236]	UNPL	17	0.15	[.006]	03021	3-192038-5	OBSOLETE	16	
NOT AVAILABLE												15	3-192038-4		
A	[.35]	[.020]	--	13	6.00	[.236]	--	17	0.12	[.005]	03085	3-192038-3	16		
NOT AVAILABLE												--	3-192038-2		
A	[.26]	[.034]	--	12	5.00	[.197]	3-2	15	0.20	[.008]	03019	3-192038-1	OBSOLETE	16	
A	[.26]	[.034]	--	12	5.00	[.197]	1-2	15	0.20	[.008]	03131	3-192038-0	OBSOLETE	16	
A	[.26]	[.034]	--	12	5.00	[.197]	UNPL	15	0.20	[.008]	03130	2-192038-9	OBSOLETE	16	
A	[.26]	[.031]	--	12	5.00	[.197]	3-2	15	0.15	[.006]	03018	2-192038-8	OBSOLETE	16	
A	[.26]	[.031]	--	12	5.00	[.197]	1-2	15	0.15	[.006]	03064	2-192038-7	16		
A	[.26]	[.031]	--	12	5.00	[.197]	5	15	0.15	[.006]	03103	2-192038-6	OBSOLETE	16	
A	[.26]	[.031]	--	12	5.00	[.197]	UNPL	15	0.15	[.006]	03060	2-192038-5	OBSOLETE	16	
A	[.23]	[.034]	--	12	4.00	[.157]	3-2	14	0.20	[.008]	03013	2-192038-4	16		
A	[.23]	[.030]	--	12	4.00	[.157]	3-2	14	0.15	[.006]	03012	2-192038-3	16		
A	[.21]	[.030]	--	12	3.50	[.138]	3-2	13	0.15	[.006]	03011	2-192038-2	16		
A	[.21]	[.034]	--	12	3.17	[.125]	3-2	12	0.20	[.008]	03010	2-192038-1	OBSOLETE	16	
A	[.21]	[.034]	--	12	3.17	[.125]	1-2	12	0.10	[.004]	03132	2-192038-0	15		
A	[.21]	[.034]	--	12	3.17	[.125]	5	12	0.10	[.004]	03133	1-192038-9	15		
A	[.21]	[.034]	--	12	3.17	[.125]	UNPL	12	0.10	[.004]	03134	1-192038-8	15		
A	[.20]	[.030]	--	12	3.00	[.118]	3-2	11	0.15	[.006]	03009	1-192038-7	16		
A	[.19]	[.030]	--	12	3.00	[.118]	3-2	10	0.15	[.006]	03008	1-192038-6	16		
A	[.18]	[.030]	--	12	2.67	[.105]	3-2	9	0.15	[.006]	03007	1-192038-5	16		
A	[.18]	[.030]	--	12	2.31	[.091]	3-2	8	0.15	[.006]	03006	1-192038-4	16		
A	[.15]	[.030]	--	12	2.03	[.080]	3-2	7	0.15	[.006]	03005	1-192038-3	16		
A	[.15]	[.030]	--	12	1.70	[.067]	3-2	6	0.15	[.006]	03004	1-192038-2	16		
C	--	[.038]	NOTE 14	12	--	--	3-2	--	0.20	[.008]	03000	1-192038-1	OBSOLETE	16	
C	--	[.038]	NOTE 14	12	--	--	1-2	--	0.20	[.008]	03095	1-192038-0	OBSOLETE	16	
C	--	[.038]	NOTE 14	12	--	UNPL	--	--	0.20	[.008]	03077	192038-9	OBSOLETE	16	
C	--	[.034]	NOTE 14	12	--	--	4-2	--	0.15	[.006]	03123	192038-8	OBSOLETE	16	
C	--	[.034]	NOTE 14	12	--	--	3-2	--	0.15	[.006]	03053	192038-7	OBSOLETE	16	
C	--	[.034]	NOTE 14	12	--	--	1-2	--	0.15	[.006]	03104	192038-6	OBSOLETE	16	
C	--	[.034]	NOTE 14	12	--	UNPL	--	--	0.15	[.006]	03001	192038-5	OBSOLETE	16	
NOT AVAILABLE												16	192038-4		
NOT AVAILABLE												16	192038-3		
NOT AVAILABLE												16	192038-2		
NOT AVAILABLE												16	192038-1		



- 1 FINISH-SILVER PLATE 200μIN MIN THICK.
- 2 FINISH-NICKEL PLATE 40μIN MIN THICK.
- 3 FINISH-GOLD PLATE 10μIN MIN THICK.
- 4 FINISH-GOLD PLATE 50μIN MIN THICK.
- 5 FINISH-NICKEL PLATE 80μIN MIN THICK.
- 6 FINISH-TIN PLATE 300μIN MIN THICK.
- 7 NOT USED.
- 8 NOT USED.
- 9 NOT USED.
- 10 NOT USED.
- 11 PLATING NOTE ARE TO BE INTERPRETED AS FOLLOWS, 6-8 AS 6 OVER 8.
- 12 MATERIAL-CDA172, BeCu.
- 13 MATERIAL-STAINLESS STEEL.
- 14 PRODUCT IS SOLD BY THE FOOT.
- 15 OBSOLETE PART NUMBER.
- 16 OBSOLETE PARTS: OBSOLETE CIS STREAMLINING PER D.RENAUD/D.SINISI

STYLE	FREE DIA	LH	LENGTH	MAT'L (NOTE)	MATING PIN Ø REF	PLATING NOTE NO.	NUM LOUV	MAT'L THK	REF	PART NO.
-------	----------	----	--------	--------------	------------------	------------------	----------	-----------	-----	----------


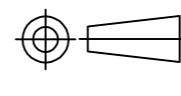
THIS DRAWING IS A CONTROLLED DOCUMENT.		DWN RA JAYNE 08-13-91	TE Connectivity	
DIMENSIONS: MM [INCHES]		CHK RA JAYNE 08-13-91		
TOLERANCES UNLESS OTHERWISE SPECIFIED:		APVD RA JAYNE 08-13-91	NAME CONTACT BAND,FEMALE	
0 PLC ± - 1 PLC ± - 2 PLC ± 0.5 [.02] 3 PLC ± 0.25 [.010] 4 PLC ± - ANGLES ± - FINISH SEE TABLE		PRODUCT SPEC	DRAWING NO C=192038	
MATERIAL SEE TABLE		APPLICATION SPEC	SIZE A2	RESTRICTED TO
		WEIGHT -	CAGE CODE 00779	SHEET 1 OF 2
		CUSTOMER DRAWING	SCALE NTS	REV K

THIS DRAWING IS UNPUBLISHED. RELEASED FOR PUBLICATION  
 © COPYRIGHT - By - ALL RIGHTS RESERVED.

REVISIONS				
P	LTR	DESCRIPTION	DATE	APVD
-	-	SEE SHEET 1	-	-

A	[1.00]	[.034]	--	12	17.98	[.708]	1-2	53	0.20	[.008]	03114	9-192038-9	
A	[.90]	[.038]	--	12	16.00	[.630]	1-2	46	0.20	[.008]	03107	9-192038-8	△
A	[.90]	[.038]	--	12	16.00	[.630]	UNPL	46	0.20	[.008]	03146	9-192038-7	
A	[.80]	[.034]	--	12	14.00	[.551]	3-2	42	0.20	[.008]	--	9-192038-6	OBSOLETE
A	[.62]	[.034]	--	12	12.70	[.500]	1-2	38	0.20	[.008]	03097	9-192038-5	OBSOLETE
A	[.62]	[.034]	--	12	12.70	[.500]	6	38	0.20	[.008]	03090	9-192038-4	
A	[.62]	[.034]	--	12	12.70	[.500]	UNPL	38	0.20	[.008]	03099	9-192038-3	OBSOLETE △
A	--	--	--	12	12.70	[.500]	3-2	37	0.20	[.008]	03047	9-192038-2	△
A	--	--	--	12	12.70	[.500]	1-2	37	0.20	[.008]	03068	9-192038-1	△
A	--	--	--	12	12.70	[.500]	UNPL	--	0.20	[.008]	03059	9-192038-0	△
A	[.62]	[.030]	--	12	12.70	[.500]	1-2	36	0.15	[.006]	03117	8-192038-9	△
A	[.62]	[.020]	--	13	12.70	[.500]	UNPL	37	0.12	[.005]	03092	8-192038-8	OBSOLETE
A	[.62]	[.034]	--	12	11.99	[.472]	3-2	36	0.20	[.008]	--	8-192038-7	
A	[.62]	[.034]	--	12	11.99	[.472]	1-2	36	0.20	[.008]	03108	8-192038-6	
A	[.62]	[.034]	--	12	11.99	[.472]	UNPL	36	0.20	[.008]	03135	8-192038-5	
A	[.60]	[.034]	--	12	11.10	[.437]	3-2	34	0.20	[.008]	03045	8-192038-4	△
A	[.60]	[.034]	--	12	11.10	[.437]	1-2	34	0.20	[.008]	03106	8-192038-3	OBSOLETE
A	[.60]	[.034]	--	12	11.10	[.437]	UNPL	34	0.20	[.008]	03081	8-192038-2	
A	[.58]	[.034]	--	12	11.10	[.437]	1-2	32	0.20	[.008]	03102	8-192038-1	△
A	[.58]	[.034]	--	12	11.10	[.437]	UNPL	32	0.20	[.008]	03109	8-192038-0	△
A	[.58]	[.020]	--	13	11.10	[.437]	UNPL	32	0.12	[.005]	03118	7-192038-9	OBSOLETE
A	[.60]	[.034]	--	12	10.79	[.425]	4-2	34	0.20	[.008]	03105	7-192038-8	
A	[.55]	[.038]	--	12	10.00	[.394]	1-2	30	0.20	[.008]	03069	7-192038-7	
A	[.55]	[.038]	--	12	10.00	[.394]	UNPL	30	0.20	[.008]	03072	7-192038-6	OBSOLETE △
A	--	--	--	12	10.00	[.394]	3-2	30	0.15	[.006]	03044	7-192038-5	△
A	[.50]	[.034]	--	12	9.52	[.375]	3-2	27	0.20	[.008]	03093	7-192038-4	OBSOLETE
A	[.50]	[.034]	--	12	9.52	[.375]	1-2	27	0.20	[.008]	03089	7-192038-3	△
A	[.50]	[.034]	--	12	8.89	[.350]	UNPL	28	0.20	[.008]	03112	7-192038-2	OBSOLETE △
A	--	--	--	12	8.00	[.315]	3-2	--	0.12	[.005]	03043	7-192038-1	△
A	--	--	--	12	8.00	[.315]	3-2	--	0.20	[.008]	03040	7-192038-0	△
A	--	--	--	12	8.00	[.315]	1-2	--	0.20	[.008]	03098	6-192038-9	△
A	--	--	--	12	8.00	[.315]	1-2	--	0.20	[.008]	03070	6-192038-8	△
A	--	--	--	12	8.00	[.315]	UNPL	--	0.20	[.008]	03039	6-192038-7	△
A	[.42]	[.034]	--	12	8.00	[.315]	3-2	22	0.20	[.008]	03141	6-192038-6	
A	[.42]	[.034]	--	12	8.00	[.315]	1-2	22	0.20	[.008]	03101	6-192038-5	
A	[.42]	[.034]	--	12	8.00	[.315]	UNPL	22	0.20	[.008]	03100	6-192038-4	OBSOLETE △
A	--	--	--	12	6.60	[.260]	3-2	--	0.15	[.006]	03038	6-192038-3	△
A	--	--	--	12	6.35	[.250]	UNPL	--	0.15	[.006]	03037	6-192038-2	△
A	[.32]	[.036]	--	12	7.11	[.280]	3-2	20	0.20	[.008]	03033	6-192038-1	
A	[.32]	[.036]	--	12	7.11	[.280]	1-2	20	0.20	[.008]	03063	6-192038-0	
A	[.32]	[.036]	--	12	7.11	[.280]	UNPL	20	0.20	[.008]	03076	5-192038-9	△
A	[.32]	[.020]	--	13	7.11	[.280]	UNPL	20	0.20	[.008]	03083	5-192038-8	OBSOLETE
A	--	--	--	12	6.60	[.260]	3-2	19	0.20	[.008]	03032	5-192038-7	△
A	--	--	--	12	6.35	[.250]	UNPL	18	0.20	[.008]	03031	5-192038-6	△
A	[.35]	[.034]	--	12	6.35	[.250]	UNPL	19	0.20	[.008]	03136	5-192038-5	OBSOLETE △
A	[.31]	[.034]	--	12	6.35	[.250]	3-2	18	0.20	[.008]	03029	5-192038-4	OBSOLETE
A	[.31]	[.034]	--	12	6.35	[.250]	1-2	18	0.20	[.008]	03075	5-192038-3	△
A	[.31]	[.034]	--	12	6.35	[.250]	UNPL	18	0.20	[.008]	03062	5-192038-2	OBSOLETE
A	[.35]	[.043]	--	12	6.35	[.250]	1-2	18	0.15	[.006]	03143	5-192038-1	OBSOLETE

STYLE	FREE DIA	LH	LENGTH	MAT'L (NOTE)	MATING PIN Ø REF	PLATING NOTE NO	NUM LOUV	MAT'L THK	REF	PART NUMBER
-------	----------	----	--------	--------------	------------------	-----------------	----------	-----------	-----	-------------

THIS DRAWING IS A CONTROLLED DOCUMENT.		DWN RA JAYNE 08-13-91	 TE Connectivity	
DIMENSIONS: MM [INCHES]		CHK RA JAYNE 08-13-91		
TOLERANCES UNLESS OTHERWISE SPECIFIED:		APVD -	NAME CONTACT BAND,FEMALE	
 0 PLC ± - 1 PLC ± - 2 PLC ± 0.5 [.02] 3 PLC ± 0.25 [.010] 4 PLC ± - ANGLES ± -		PRODUCT SPEC -	SIZE CAGE CODE DRAWING NO RESTRICTED TO	
MATERIAL SEE TABLE		APPLICATION SPEC -	A2 00779 C=192038	
FINISH SEE TABLE		WEIGHT -	SCALE NTS SHEET 2 of 2 REV K	
CUSTOMER DRAWING				

# Mouser Electronics

Authorized Distributor

Click to View Pricing, Inventory, Delivery & Lifecycle Information:

[TE Connectivity:](#)

[6-192038-0](#)