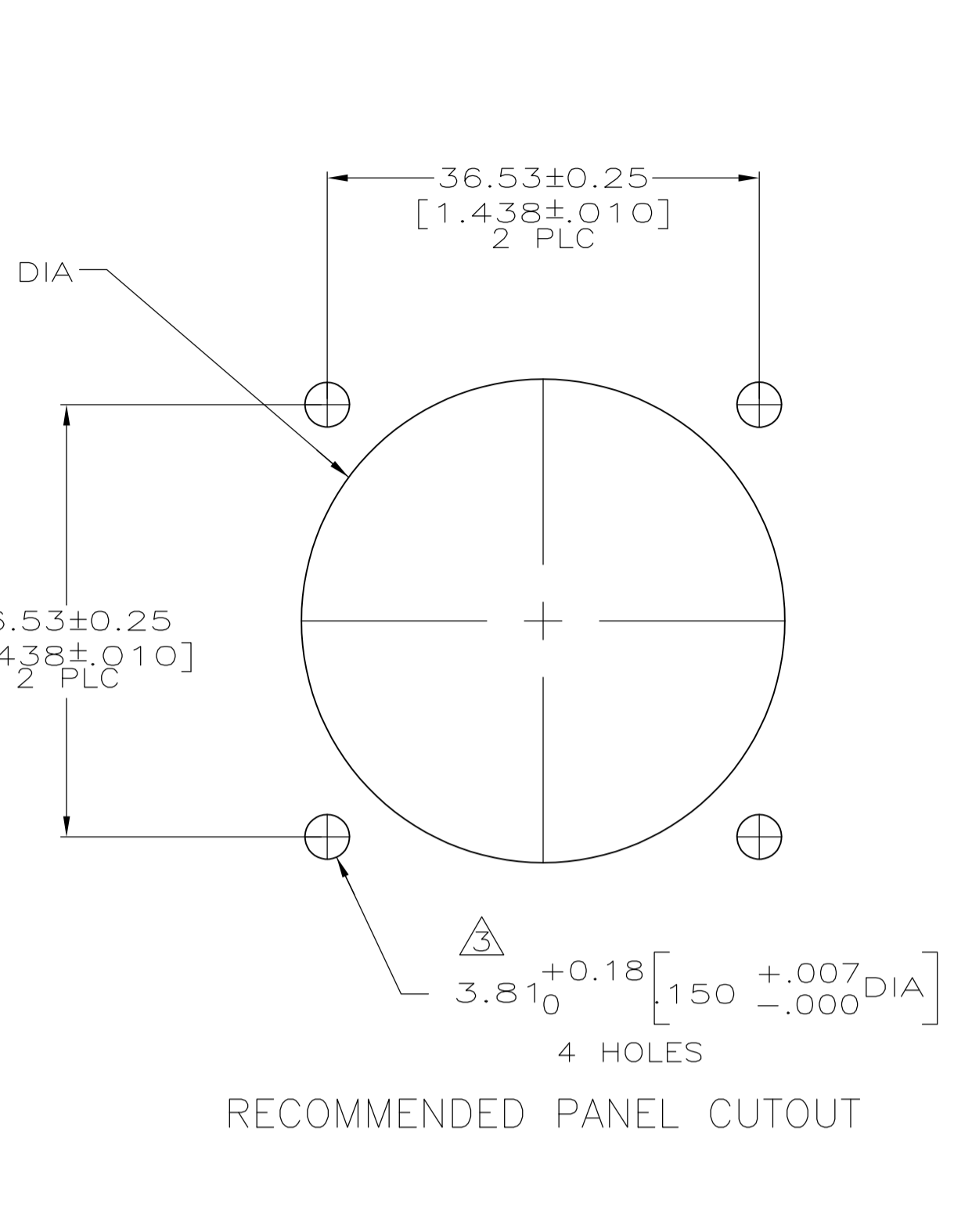
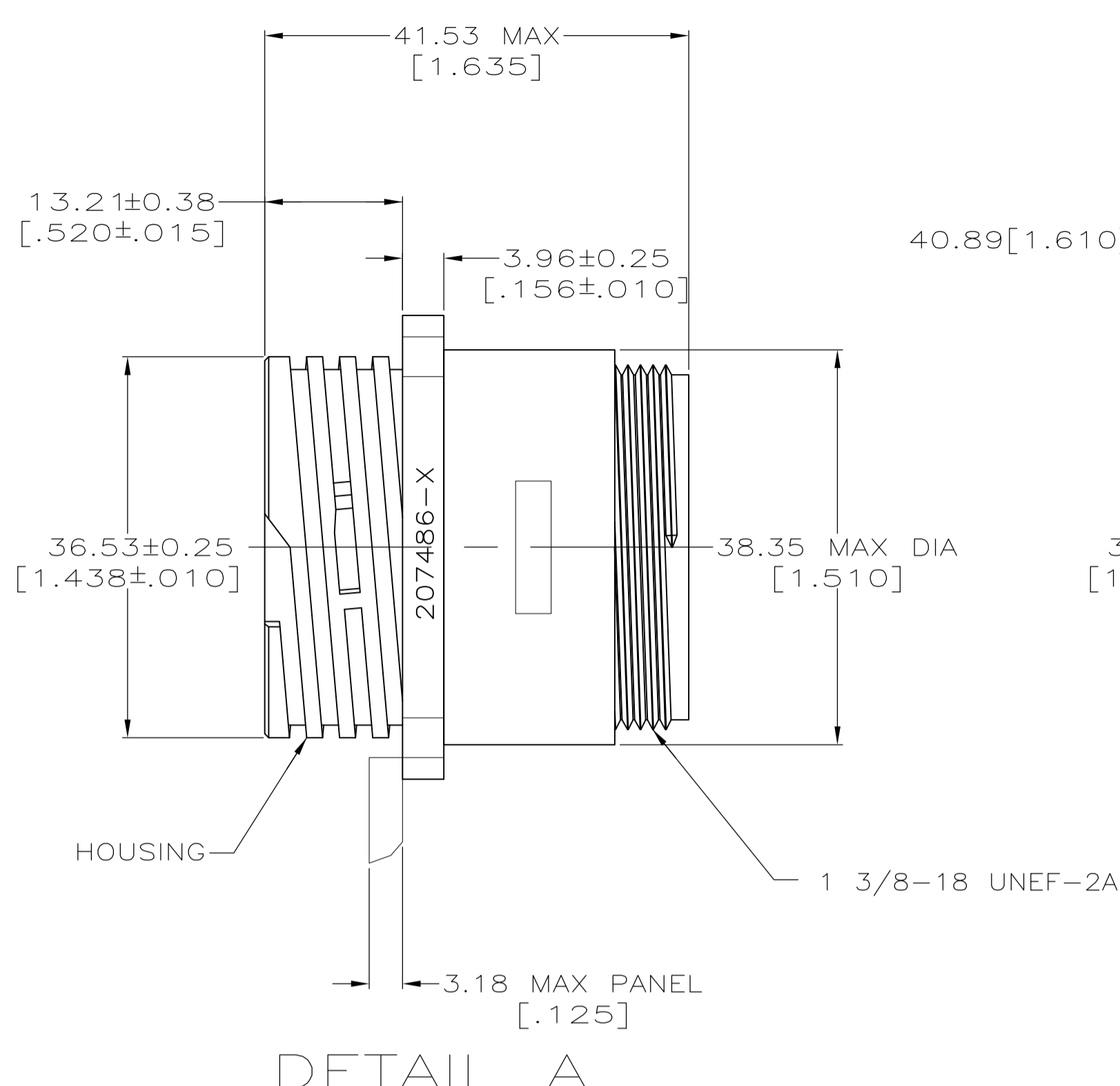
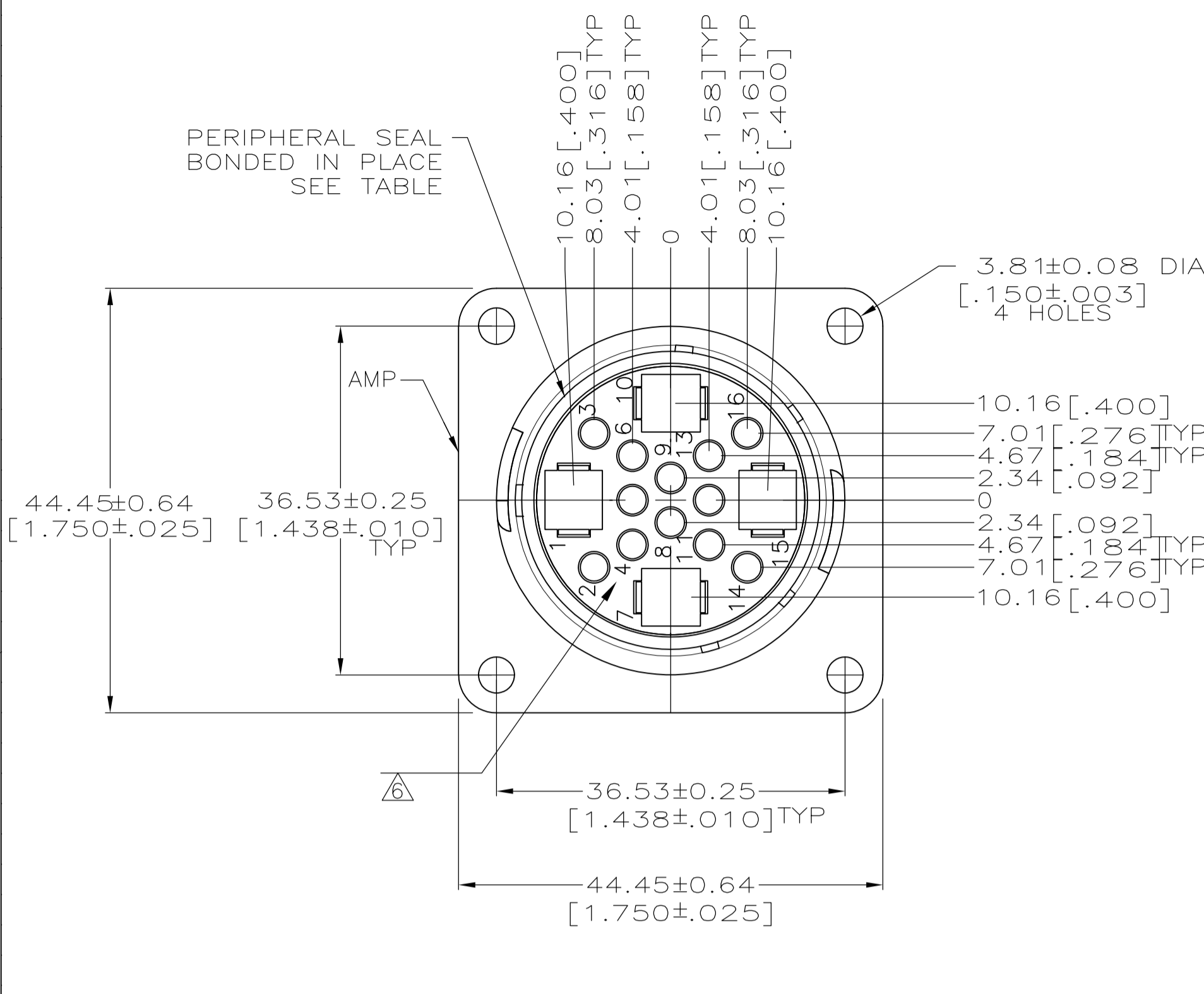
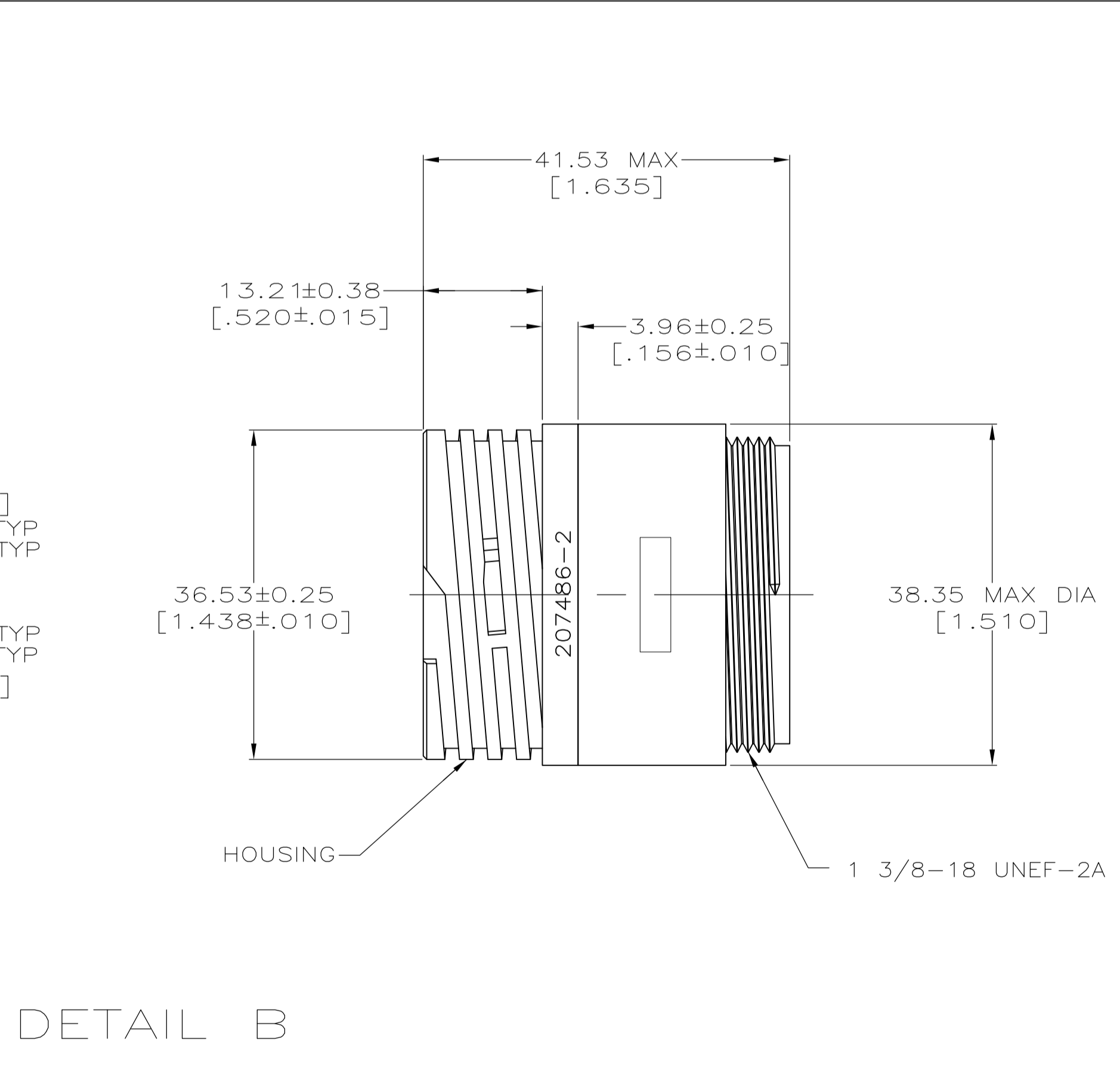
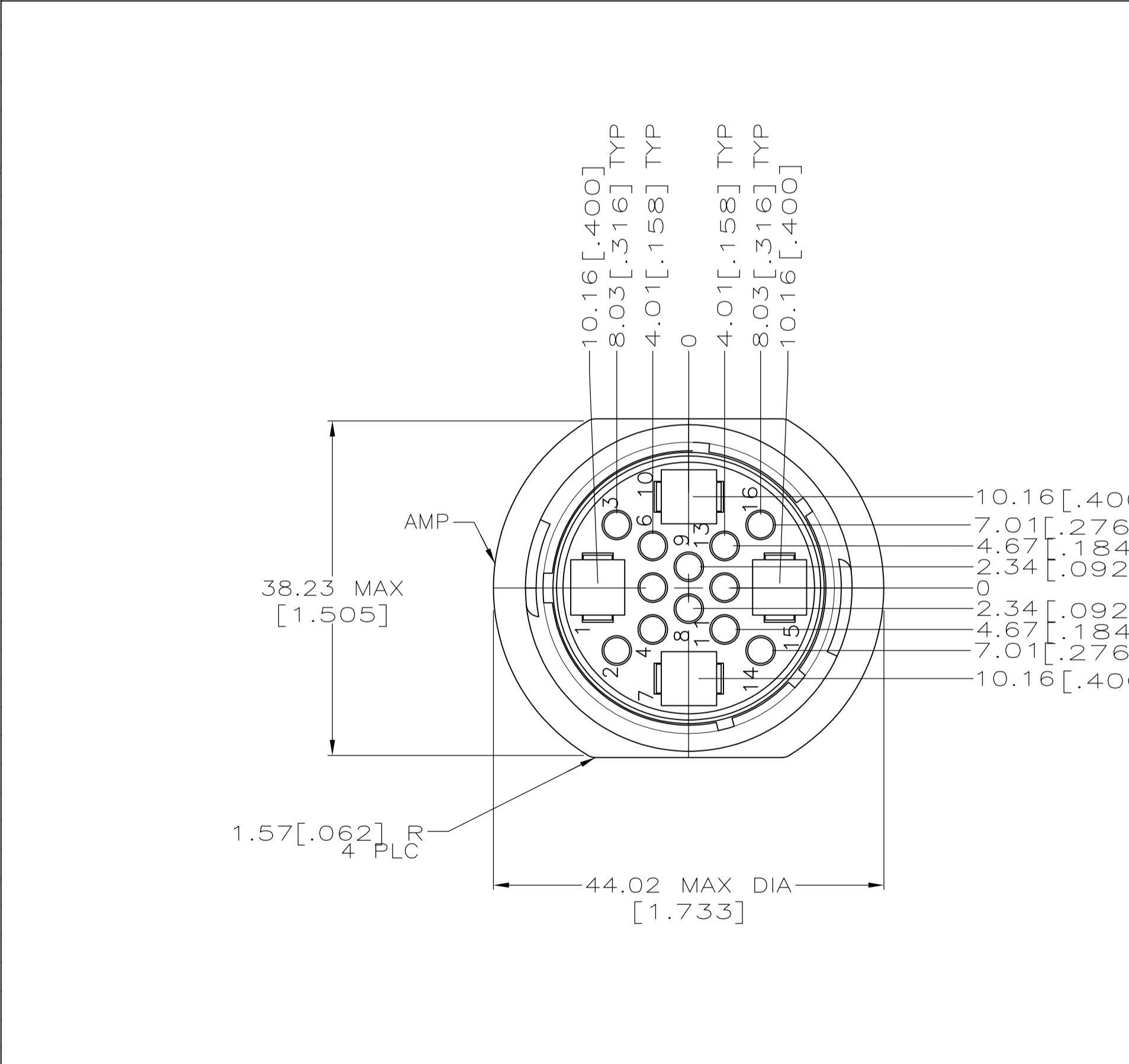


REVISIONS					
P	LTR	DESCRIPTION	DATE	DMN	APVD
P2		REVISED PER ECO-11-004820	11MAR11	RK	HMR
R		REVISED PER ECR-16-017870	20APR2017	BDA	MZ



DETAIL A



DETAIL B

- WILL ACCEPT (12) MULTIMATE AND (4) TYPE XII PIN CONTACTS.
 - CAVITY IDENTIFICATION ON FRONT AND REAR FACE.
 - NO. 4 FASTENERS RECOMMENDED FOR MOUNTING.
 - THIS CONNECTOR WILL ACCEPT INSULATION DIAMETERS UP TO 3.81[.150].
- HOUSING: NYLON, BLACK.
 - PERIPHERAL SEAL: ELASTOMER, GRAY.
 - PERMANENT WHITE MARKED OR WHITE INK STAMPED CAVITY IDENTIFICATION.
 - HOUSING: NYLON, RED.
 - PERIPHERAL SEAL: ELASTOMER, GRAY.
 - WHITE DOT NEAR POSITION 1 ON WIRE ENTRY FACE.

NOTES	THREADED INSERTS	PERIPHERAL SEAL	SEE DETAIL	PART NUMBER
OBSOLETE	△/△	-	YES	A 1-207486-1
OBSOLETE	△/△	-	YES	A 207486-9
PRELIMINARY	△/△	-	YES	A 207486-7
	△/△	4	YES	A 207486-6
	△/△	-	YES	A 207486-5
	△/△	-	NO	B 207486-2
	△/△	-	NO	A 207486-1

THIS DRAWING IS A CONTROLLED DOCUMENT.

DIMENSIONS: INCHES	TOLERANCES UNLESS OTHERWISE SPECIFIED:	DIN M. BINNER 05/26/94	CHK R. STONE 6-23-94	APVD	NAME
0 PLC ± -	1 PLC ± -	2 PLC ± 0.13 [.005]	3 PLC ± -	4 PLC ± -	ANGLES ± -
MATERIAL	FINISH	WEIGHT	SIZE A1	CAGE CODE 00779	DRAWING NO. C=207486
CUSTOMER DRAWING			SCALE 2:1	SHEET 1 OF 1	REV R

STE TE Connectivity
RECEPTACLE HOUSING, STANDARD SEX, SHELL SIZE 23, CPC
108-10024

Mouser Electronics

Authorized Distributor

Click to View Pricing, Inventory, Delivery & Lifecycle Information:

[TE Connectivity:](#)

[207486-1](#)