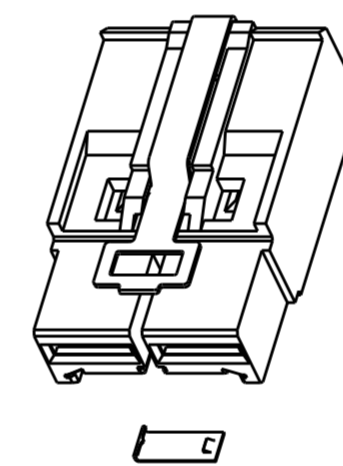
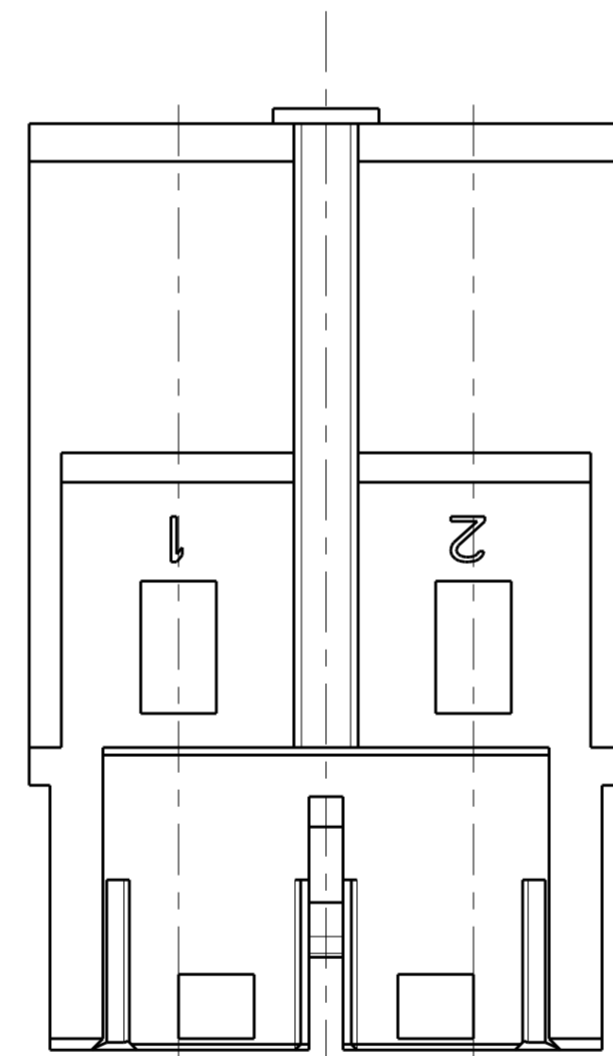
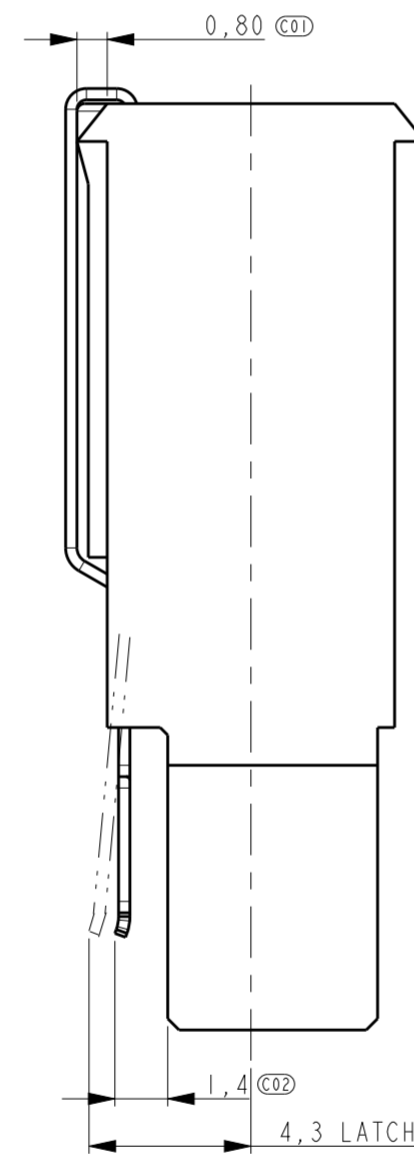
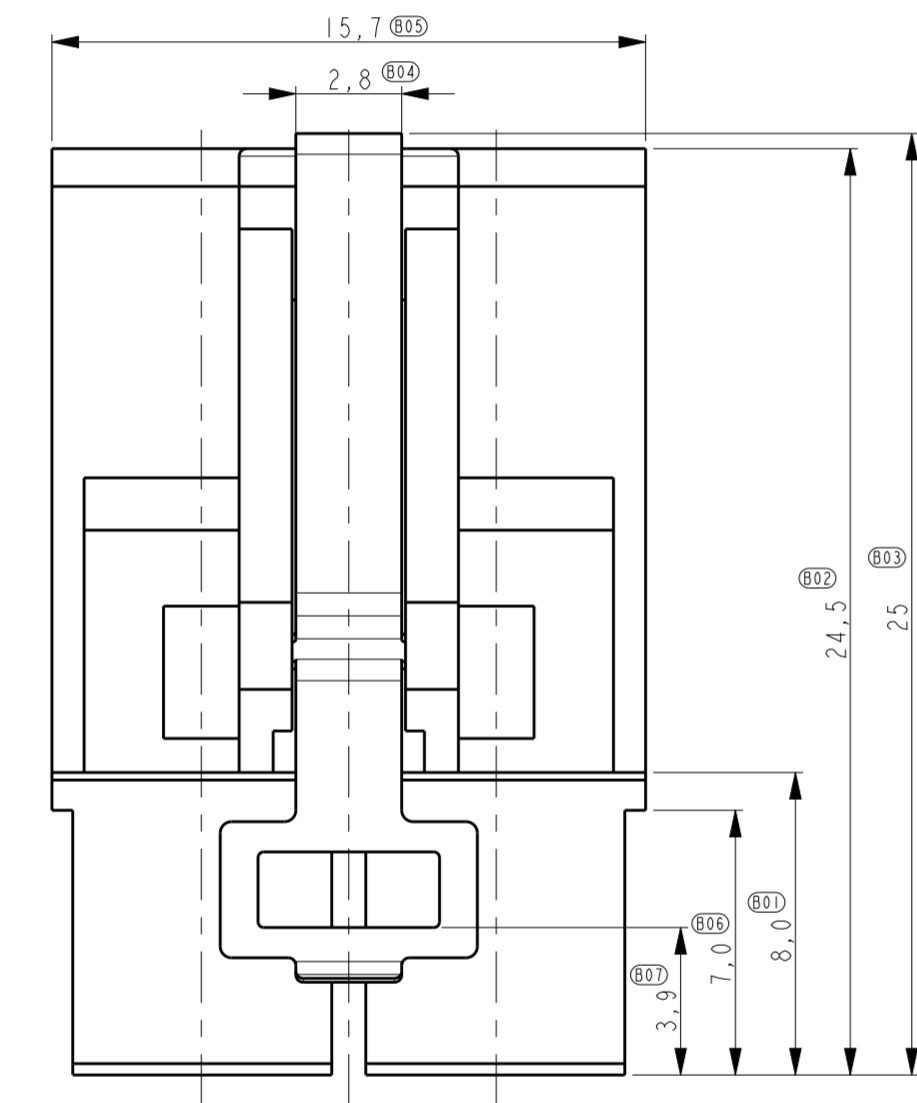
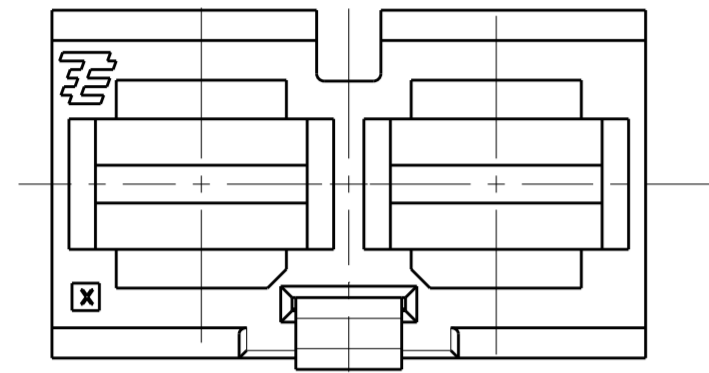


THIS DRAWING IS UNPUBLISHED. RELEASED FOR PUBLICATION  
 © COPYRIGHT - TE CONNECTIVITY ALL RIGHTS RESERVED.

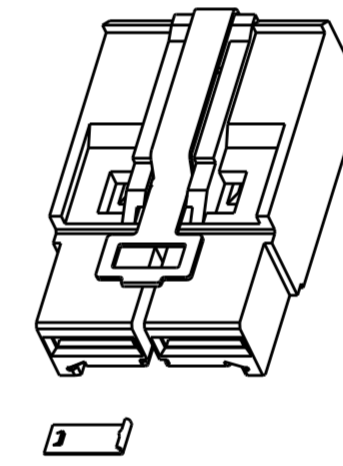
LOC	DIST	REVISIONS					
H	-	P	LTR	DESCRIPTION	DATE	DWN	APVD
		A2		1982299-1/-2/-3 IS RESTRICTED	29JUN2011	PS	RP
		A3		1982299-6 ADDED	23NOV2011	PS	RRP
		B		REV PER ECO-14-014260	19SEP2014	OL	SZ
		B1		REV PER ECO-16-014059	13FEB2017	WY	SZ

NOTES:

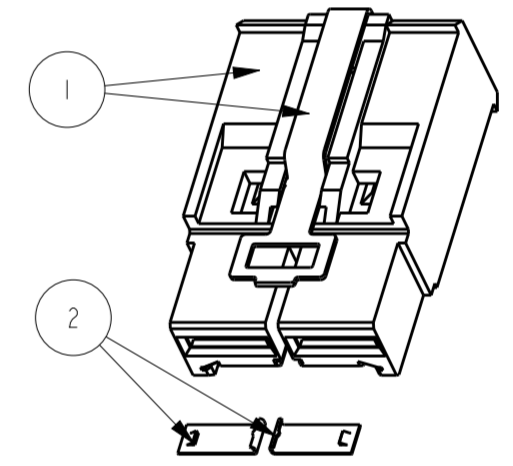
- 1 USE FOR (SILVER PLATED) STANDARD POWER TIMER CONTACTS .  
FOR CONTACTS PARTNUMBERS SEE DWG. C-1355048 VERSION A  
ALLOWED MAX WIRE SIZE 4 mm<sup>2</sup>.
- 2 LOOSE PIECE PART NUMBER ITEM 2:1982298-2.



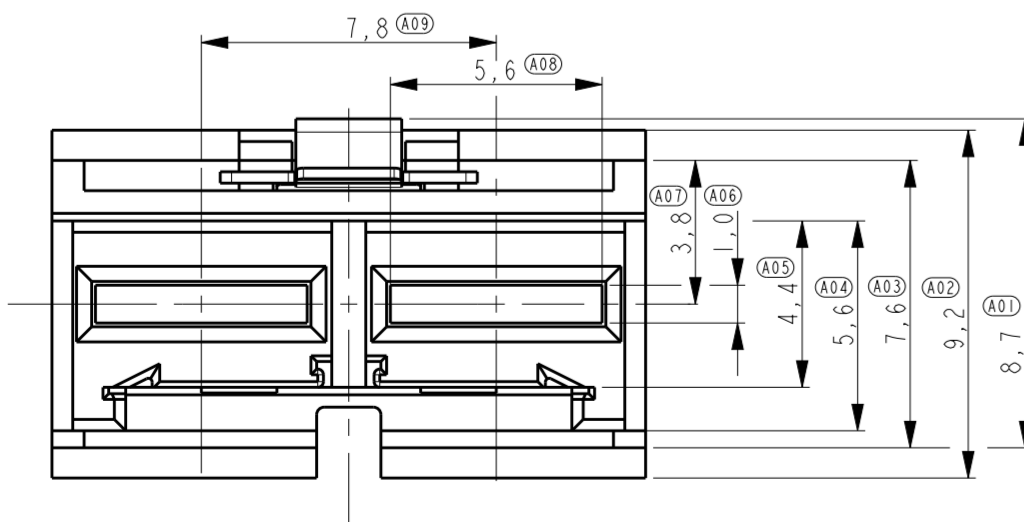
198299-1 WITH RIGHT CODING CONTACT



198299-2 WITH LEFT CODING CONTACT



198299-3 WITH TWO CODING CONTACTS



198299-4	198299-3	198299-2	198299-1
-	2	1	1
1	1	1	1

QTY	DESCRIPTION	MATERIAL	FINISH	ITEM
2	CODING CONTACT	COPPER ALLOY	0.8 um Au IN CONTACT PLACE OVER 1.2 um Ni UNDERPLAYER OVERALL	2
1	HOUSING LATCH	PA GF UL94V-0 STAINLESS STEEL	NA	1

THIS DRAWING IS A CONTROLLED DOCUMENT.

DWN: R. Annokkee 13-feb-07  
 CHK: R. Annokkee 13-feb-07  
 APVD: J. Broeksteeg

NAME: ELCON Mini, 2-position cable connector metal latch, 4mm<sup>2</sup> max. wire

PRODUCT SPEC: 108-19346  
 APPLICATION SPEC: 114-19110

MATERIAL: -  
 FINISH: -

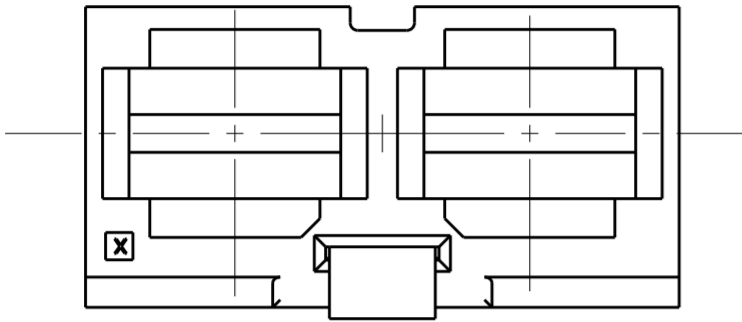
WEIGHT: -

SCALE: 5:1 SHEET 1 OF 2 REV B1

CUSTOMER DRAWING

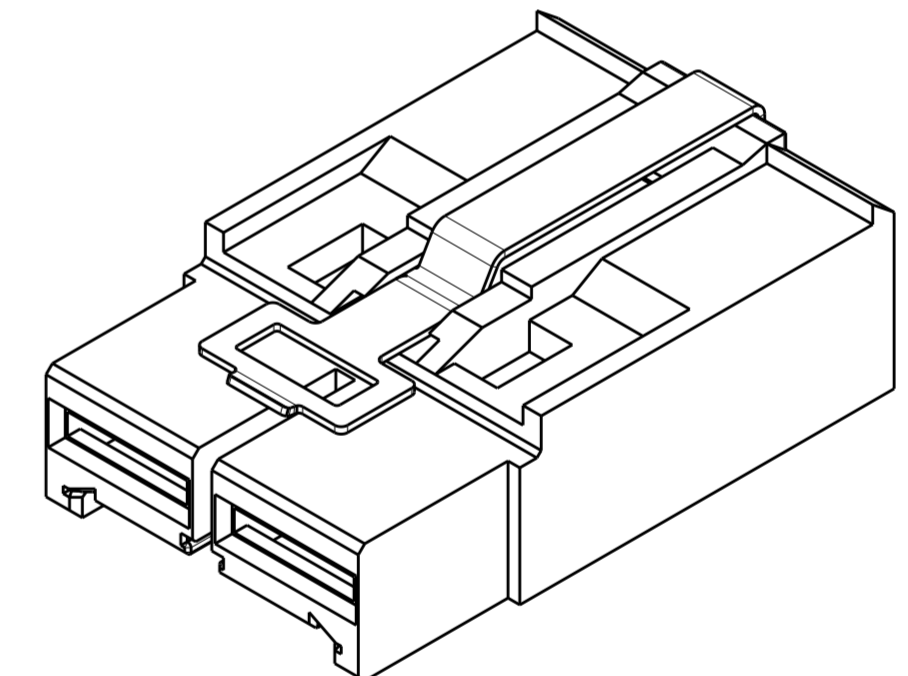
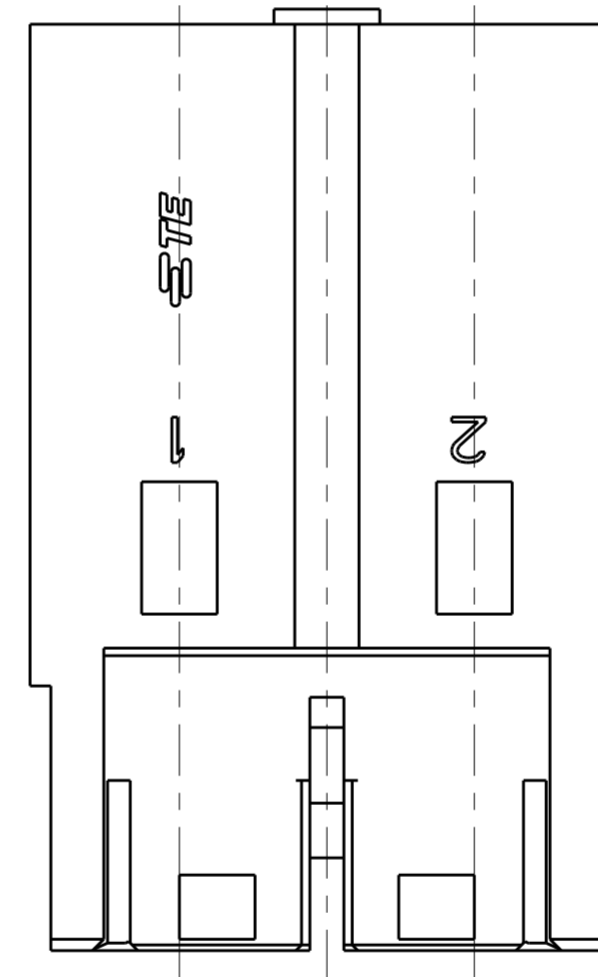
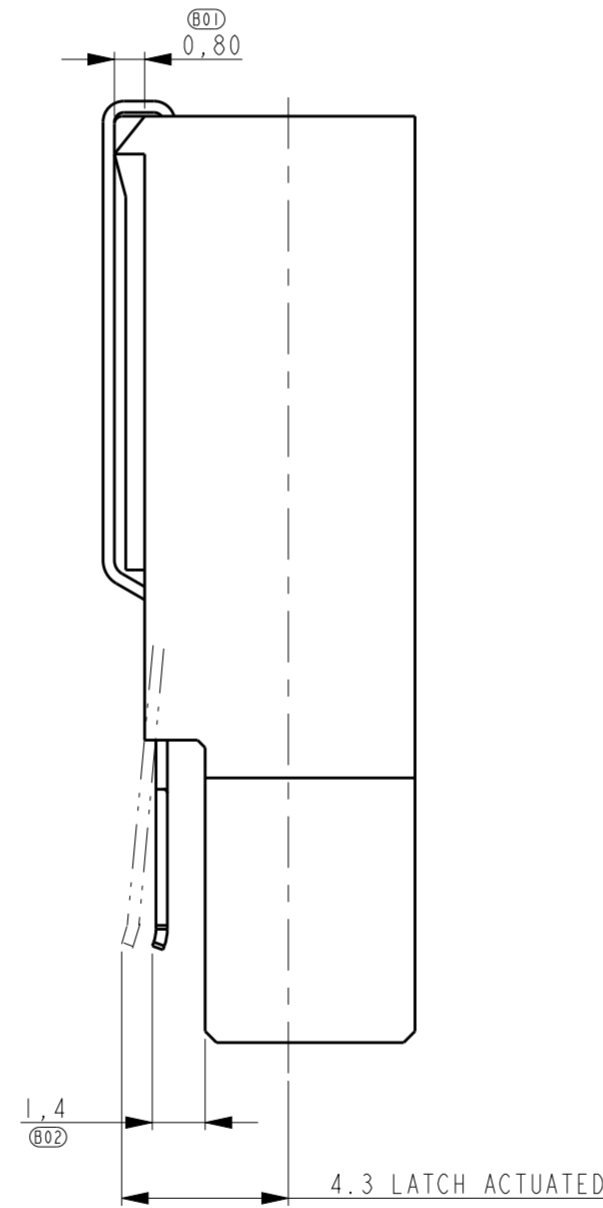
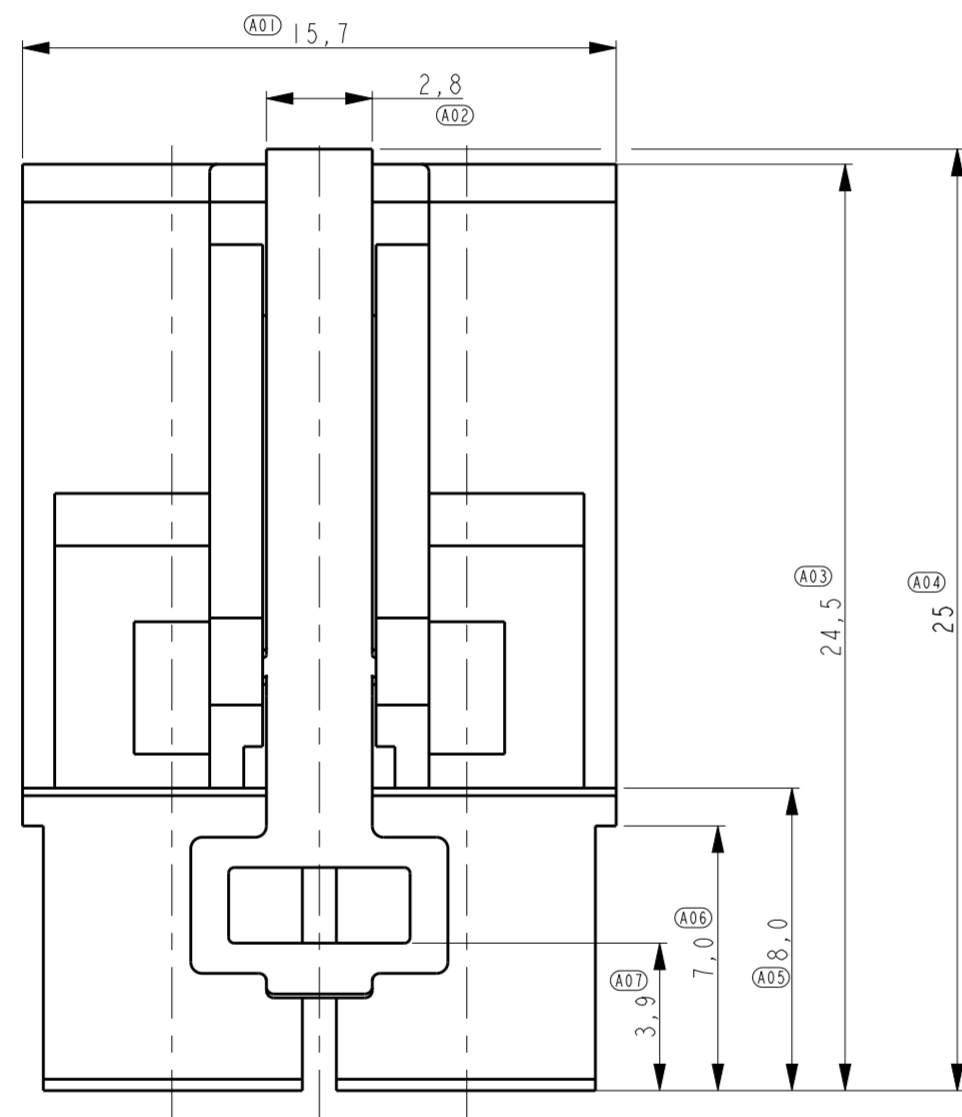
THIS DRAWING IS UNPUBLISHED. RELEASED FOR PUBLICATION  
 © COPYRIGHT - TE CONNECTIVITY ALL RIGHTS RESERVED.

LOC	DIST	REVISIONS					
H	-	P	LTR	DESCRIPTION	DATE	DWN	APVD
		-		SEE SHEET 1	-	-	-

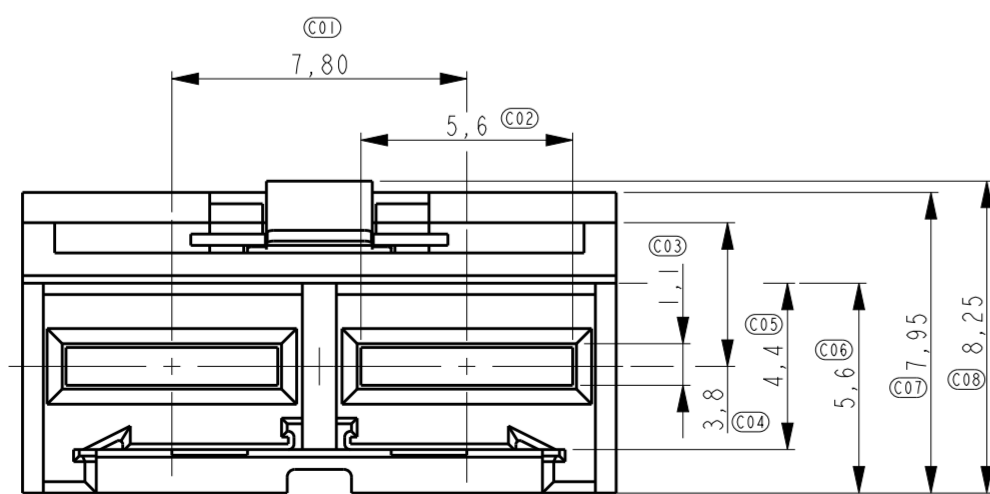


NOTES:

- 1 USE FOR (SILVER PLATED) STANDARD POWER TIMER CONTACTS .  
 FOR CONTACTS PARTNUMBERS SEE DWG. C-1355048 VERSION A  
 ALLOWED MAX WIRE SIZE 4 mm<sup>2</sup>.



SCALE 4:1



1982299-6	1	HOUSING LATCH	PA GF UL94V-0 STAINLESS STEEL	NA	1
QTY	DESCRIPTION	MATERIAL	FINISH	ITEM	

THIS DRAWING IS A CONTROLLED DOCUMENT.		DWN R. Annokkee 13-feb-01	TE Connectivity ELCON Mini, 2-position cable connector metal latch, 4mm <sup>2</sup> max. wire		
DIMENSIONS: mm		CHK R. Annokkee 13-feb-01			
TOLERANCES UNLESS OTHERWISE SPECIFIED:		APVD J. Broeksteeg	NAME	RESTRICTED TO	
0 PLC ± 0,5	1 PLC ± 0,1	PRODUCT SPEC 108-19346	SIZE	CAGE CODE	DRAWING NO
2 PLC ± 0,05	3 PLC ± -	APPLICATION SPEC 114-19110	A2	00779	C-1982299
4 PLC ± -	ANGLES ± 2	WEIGHT -	SCALE 5:1 SHEET 2 OF 2 REV B1		
MATERIAL FINISH		CUSTOMER DRAWING			

# Mouser Electronics

Authorized Distributor

Click to View Pricing, Inventory, Delivery & Lifecycle Information:

[TE Connectivity:](#)

[1982299-4](#)