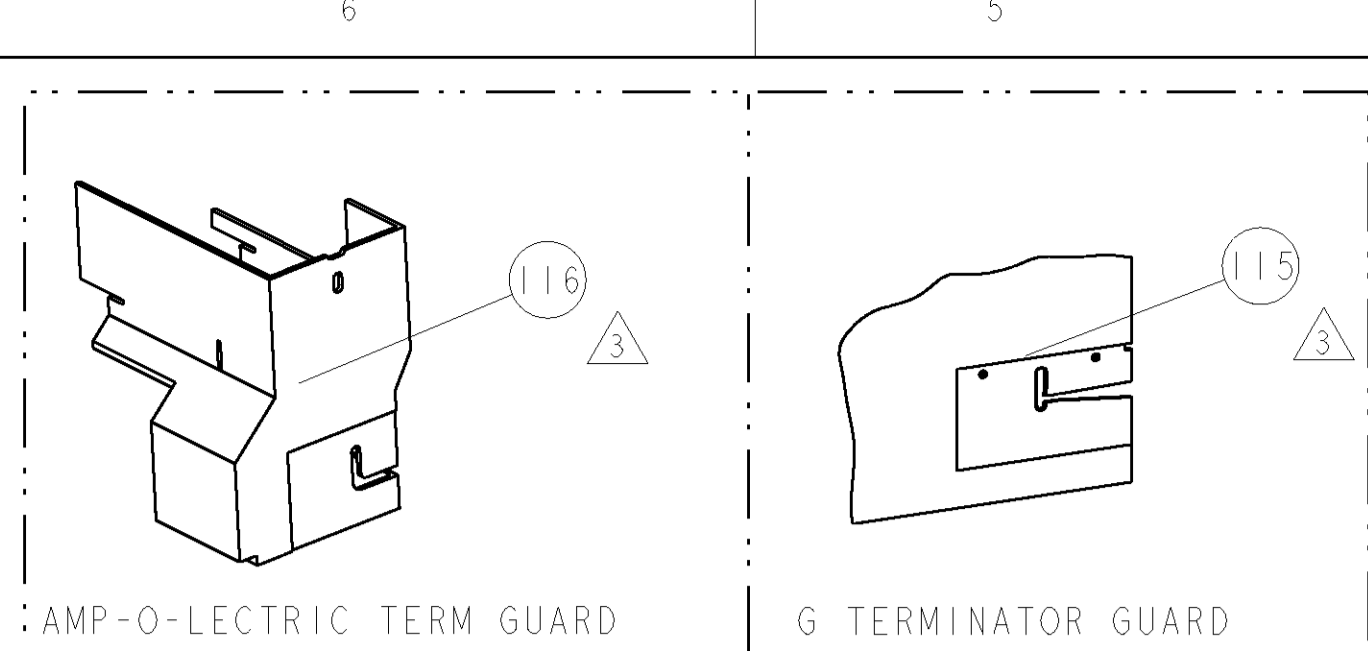


| PART NUMBER | REV | FIRST USED | POWER UNIT | FEED TYPE | DESCRIPTION |
|-------------|-----|------------|---------------|-----------|--------------------|
| 1855132-1 | A | 122500-1 | LEADMAKER | AIR FEED | CUTS CARRIER |
| 1855132-2 | A | 565435-5 | BENCH MODEL K | AIR FEED | CUTS CARRIER |
| 1855132-3 | A | 354500-1 | BENCH MODEL G | AIR FEED | CUTS CARRIER |
| 1855132-6 | A | 122500-1 | LEADMAKER | AIR FEED | CONTINUOUS CARRIER |
| 7-1855132-7 | A | - | - | - | SPARE PARTS |

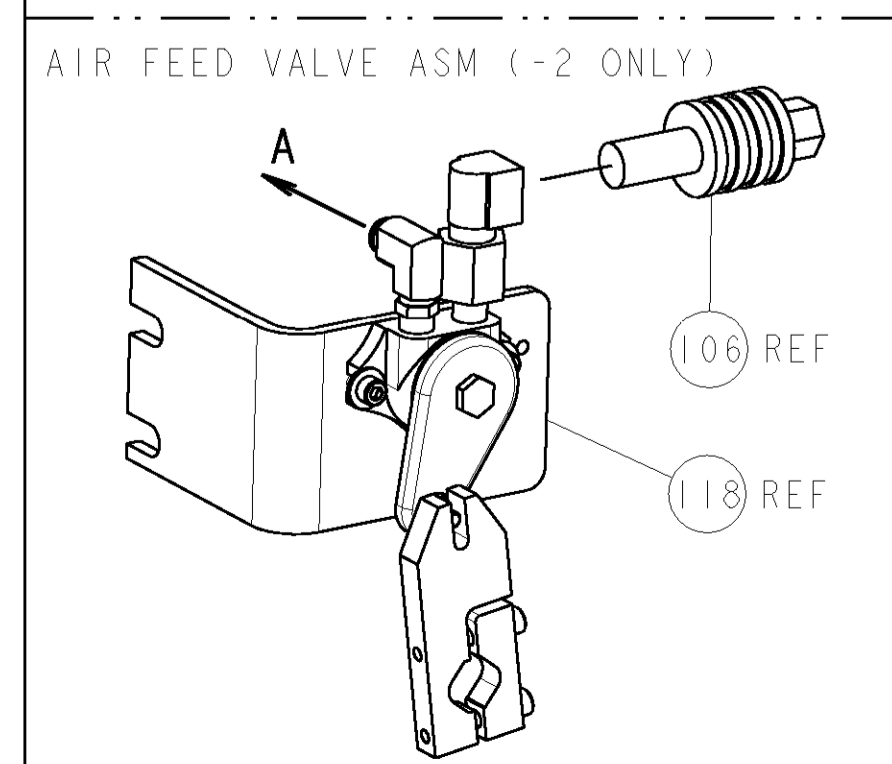
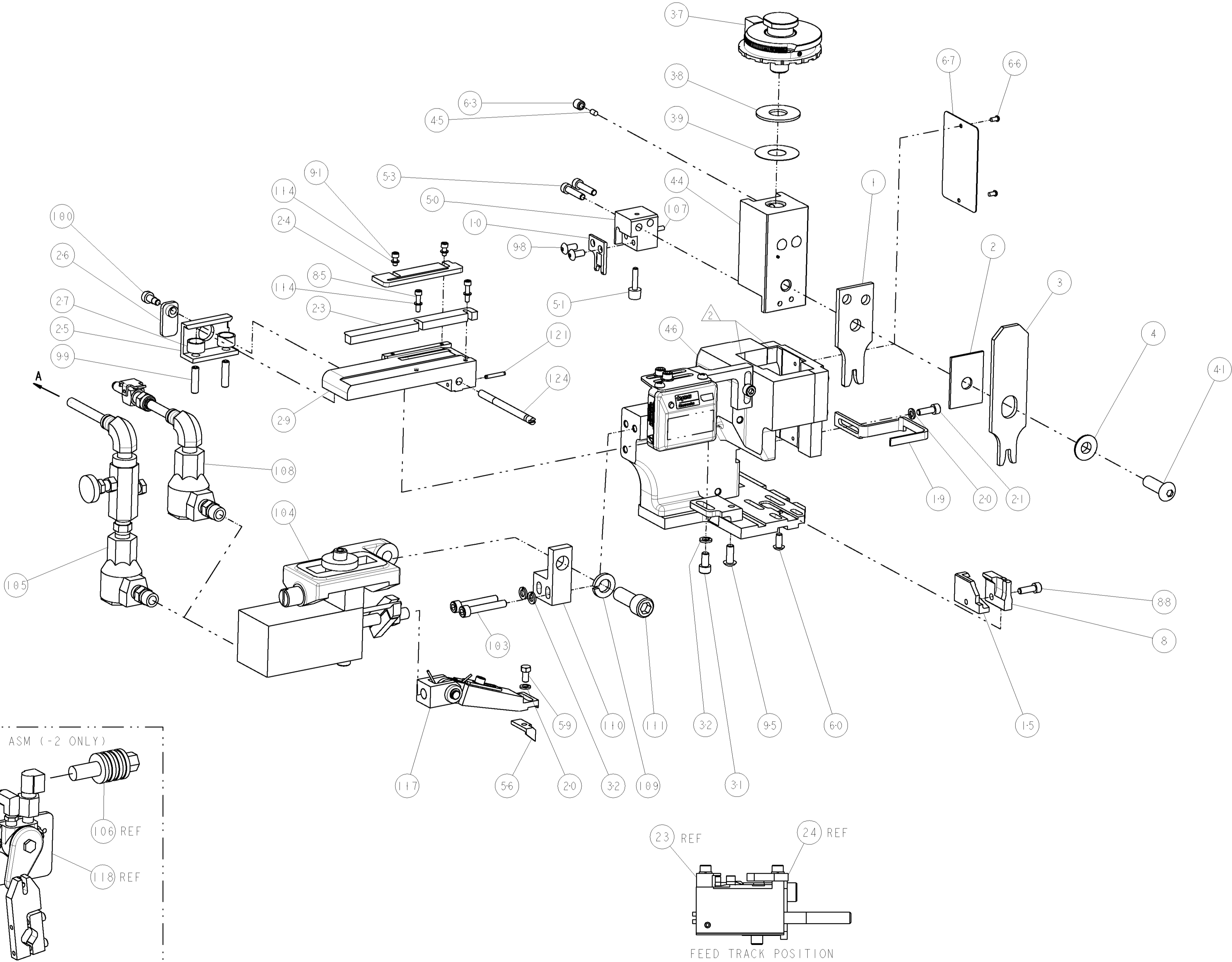


| TERMINAL NAME: MEDIUM RING TERMINAL | | | | | |
|-------------------------------------|----------------|------------------------------------|-------------------------|-------------|---------------|
| TYCO PN | MANUF PN | PACKARD TERM - PACKARD CRIMP SPECS | | REF SETTING | |
| 1949175-1 | 12103515 | | | | |
| 1949175-2 | 12103514 | CRIMP HEIGHT | | WIRE SIZE | |
| 1949175-3 | 12103516 | 1.85±0.05mm [.073±.002] | | 1mm2 | |
| - | - | 1.75±0.05mm [.069±.002] | | 0.8mm2 | |
| - | - | - | | - | |
| - | - | - | | - | |
| - | - | CRIMP | SIZE | TYPE | RANGE |
| - | - | WIRE | 3.18mm [.125] | F | 0.80-1.00 mm2 |
| - | - | INSUL | 3.94mm [.155] | F | ∅2.7 mm MAX |
| WIRE STRIP LENGTH | TERM APPL SPEC | FEED | APPLICATOR INSTRUCTIONS | | SET UP GAGE |
| 4.90-5.28mm | NONE | 13.89mm | 408-8040 | | 458637-1 |

| LOC | DIST | REV | DESCRIPTION | DATE | BY | APPD |
|-----|------|-----|-------------|-----------|-----|------|
| A | 66 | | RELEASED | 15NOV2006 | MEH | GB |

- △ RECOMMENDED SPARE PARTS
- △ GREASE LIGHTLY
- △ GUARD MUST BE IN PLACE WHEN OPERATING APPLICATOR IN A BENCH MACHINE

*** WARNING**
 ON INSTALLATION, SET WIRE DISC TO LARGEST WIRE SIZE SETTING. USE OF SETTINGS BELOW MIN. REQUIRED CRIMP HEIGHT SETTING WILL CAUSE DAMAGE TO CRIMP TOOLING.



| | | | | | | | | |
|---|---|---|-----|---|---|------------|--------------------------------------|-----|
| - | 1 | 1 | 1 | 1 | - | 690432-3 | ADJUSTMENT SCREW | 124 |
| - | 1 | 1 | 1 | 1 | - | 3-21028-8 | PIN, SLOTTED SPRING .094 X .625 | 121 |
| - | - | - | REF | - | - | 692655-6 | AIR FEED VALVE ASSEMBLY | 118 |
| - | 1 | 1 | 1 | 1 | - | 461062-1 | FEED FINGER ASSEMBLY | 117 |
| - | - | - | REF | - | - | 455749-1 | GUARD WINDOW | 116 |
| - | - | - | REF | - | - | 679532-1 | INSERT, GUARD | 115 |
| - | 4 | 4 | 4 | 4 | - | 21024-2 | WASHER, SPRG LOCK, REG NO 4 | 114 |
| - | 1 | 1 | 1 | 1 | - | 3-21001-5 | SCR, SKT HD CAP 3/8-16 X 1.000 | 111 |
| - | 1 | 1 | 1 | 1 | - | 459610-1 | MOUNT, FEED BRACKET | 110 |
| - | 1 | 1 | 1 | 1 | - | 21024-8 | WASHER, SPRG LOCK, REG 3/8 | 109 |
| - | 1 | 1 | - | 1 | - | 692655-7 | AIR FEED VALVE ASSEMBLY | 108 |
| - | 1 | 1 | 1 | 1 | - | 2-21006-1 | SCR, SET, CUP POINT 4-40 X .250 | 107 |
| - | - | - | REF | - | - | 24024-2 | VALVE, SHUT OFF | 106 |
| - | - | - | 1 | - | - | 692655-5 | AIR FEED VALVE ASSEMBLY | 105 |
| - | 1 | 1 | 1 | 1 | - | 461065-1 | ASSEMBLY, AIR FEED | 104 |
| - | 2 | 2 | 2 | 2 | - | 4-21000-0 | SCR, SKT HD CAP 10-32 X 1.250 | 103 |
| - | 1 | 1 | 1 | 1 | - | 22353-8 | SCR, SHLD, SLOT HD, 3/16 DIA | 100 |
| - | 2 | 2 | 2 | 2 | - | 5-21006-6 | SCR, SET, CUP POINT 10-32 X .750 | 99 |
| - | 2 | 2 | 2 | 2 | - | 2-21002-1 | SCR, BTN SKT HD CAP 8-32 X .375 | 98 |
| - | 1 | 1 | 1 | 1 | - | 2-21002-7 | SCR, BTN SKT HD CAP 10-32 X .500 | 95 |
| - | 2 | 2 | 2 | 2 | - | 1-21000-3 | SCR, SKT HD CAP 4-40 X .250 | 91 |
| - | 1 | 1 | 1 | 1 | - | 2-21000-7 | SCR, SKT HD CAP 8-32 X .500 | 88 |
| - | 2 | 2 | 2 | 2 | - | 1-21000-5 | SCR, SKT HD CAP 4-40 X .500 | 85 |
| - | 1 | 1 | 1 | 1 | - | 4088040 | SF APPL INST 408-8040 | 72 |
| - | 1 | 1 | 1 | 1 | - | 217238-1 | GENERAL INSTRUCTION PKG | 71 |
| - | 1 | 1 | 1 | 1 | - | 461264-5 | PLATE, IDENTIFICATION | 67 |
| - | 2 | 2 | 2 | 2 | - | 21017-2 | SCREW, DRIVE | 66 |
| - | 1 | 1 | 1 | 1 | - | 21009-2 | SCR, SET, SELF LOCKING 1/4-20 X .250 | 63 |
| - | 1 | 1 | 1 | 1 | - | 22733-8 | SCR, BHSC, SELF-LOCKING, 8-32 X .375 | 60 |
| - | 1 | 1 | 1 | 1 | - | 2-22603-0 | SCR, HEX HD CAP 8-32 X .312 | 59 |
| - | 1 | 1 | 1 | 1 | - | 3-694433-9 | FEED PAWL | 56 |
| - | 2 | 2 | 2 | 2 | - | 2-21000-9 | SCR, SKT HD CAP 8-32 X .750 | 53 |
| - | 1 | 1 | 1 | 1 | - | 811242-2 | BUMPER, HOLD DOWN | 51 |
| - | 1 | 1 | 1 | 1 | - | 1633508-1 | HOLDER, SLUG BLADE | 50 |
| - | 1 | 1 | 1 | 1 | - | 1633399-1 | APPL., BASIC AIR FEED SUB ASSY | 46 |
| - | 1 | 1 | 1 | 1 | - | 690191-1 | PLUG, NYLON | 45 |
| - | 1 | 1 | 1 | 1 | - | 1-455673-4 | RAM, SIDE FEED | 44 |
| - | 1 | 1 | 1 | 1 | - | 7-21002-9 | SCR, BTN SKT HD CAP 5/16-24 X 1.00 | 41 |
| - | 1 | 1 | 1 | 1 | - | 690125-1 | SHIM SUB-ASSY | 39 |
| - | 1 | 1 | 1 | 1 | - | 1-469367-4 | SHIM | 38 |
| - | 1 | 1 | 1 | 1 | - | 879103-2 | FINE ADJUST HEAD ASSEMBLY | 37 |
| - | 3 | 3 | 3 | 3 | - | 21024-5 | WASHER, SPRG LOCK, REG NO 10 | 32 |
| - | 1 | 1 | 1 | 1 | - | 3-21000-4 | SCR, SKT HD CAP 10-32 X .375 | 31 |
| - | 1 | 1 | 1 | 1 | - | 2-844048-6 | PLATE, REAR STRIP GUIDE | 29 |
| - | 2 | 2 | 2 | 2 | - | 1-22284-0 | SPRING, COMPRESSION | 27 |
| - | 1 | 1 | 1 | 1 | - | 240793-1 | LEVER, DRAG RELEASE | 26 |
| - | 1 | 1 | 1 | 1 | - | 240792-1 | DRAG, TERMINAL | 25 |
| - | 1 | 1 | 1 | 1 | - | 1633497-2 | REAR STRIP GUIDE | 24 |
| - | 1 | 1 | 1 | 1 | - | 1-189124-8 | GUIDE, FRONT STRIP | 23 |
| - | 1 | 1 | 1 | 1 | - | 2-21000-7 | SCR, SKT HD CAP 8-32 X .500 | 21 |
| - | 2 | 2 | 2 | 2 | - | 21024-4 | WASHER, SPRG LOCK, REG NO 8 | 20 |
| - | 1 | 1 | 1 | 1 | - | 1-456468-1 | STRIPPER, SPECIAL | 19 |
| - | 1 | 1 | 1 | 1 | - | 1633124-6 | PLATE, REAR SHEAR | 15 |
| - | - | - | 1 | 1 | - | 1583859-3 | BLADE, SLUG | 10 |
| △ | 1 | 1 | 1 | 1 | - | 1633507-1 | ANVIL, SPECIAL, COMBINATION | 8 |
| △ | 1 | 1 | 1 | 1 | - | 238009-1 | BLOCK, FL CRIMPER SPACER | 4 |
| △ | 1 | 1 | 1 | 1 | - | 3-456134-6 | CRIMPER, INSULATION F PREMIUM | 3 |
| △ | 1 | 1 | 1 | 1 | - | 1-455888-4 | SPACER, CRIMPER | 2 |
| △ | 1 | 1 | 1 | 1 | - | 3-568176-4 | CRIMPER, WIRE | 1 |

| ITEM NO | QTY | U/M | PART NO | DESCRIPTION | ITEM NO |
|---------|-----|-----|---------|-------------|---------|
| -77 | -6 | -3 | -2 | -1 | U/M |

| | | | | |
|---------------------------|--|---|--|--|
| DIMENSIONS: INCHES | TOLERANCES UNLESS OTHERWISE SPECIFIED: 0 PLC ±.01 1 PLC ±.01 2 PLC ±.01 3 PLC ±.001 4 PLC ±.001 ANGLES ±.001 | DWG: HERR 200CT2006 CHK: G. BAILEY 23OCT2006 APD: T. BENCHOFF 23OCT2006 PRODUCT SPEC: - APPLICATION SPEC: - MATERIAL: - FINISH: - WEIGHT: - CUSTOMER DRAWING: - | tyco Tyco Electronics Harrisburg, PA 17105-3608 | NAME: FINE ADJUST SIDE FEED HDM APPLICATOR SIZE: A1 CAGE CODE: 00779 DRAWING NO: C=1855132 SCALE: 3:5 SHEET: 1 OF 1 REV: A |
|---------------------------|--|---|--|--|

CUSTOMER VIEWABLE ASSEMBLY

Mouser Electronics

Authorized Distributor

Click to View Pricing, Inventory, Delivery & Lifecycle Information:

[TE Connectivity:](#)

[1855132-2](#)