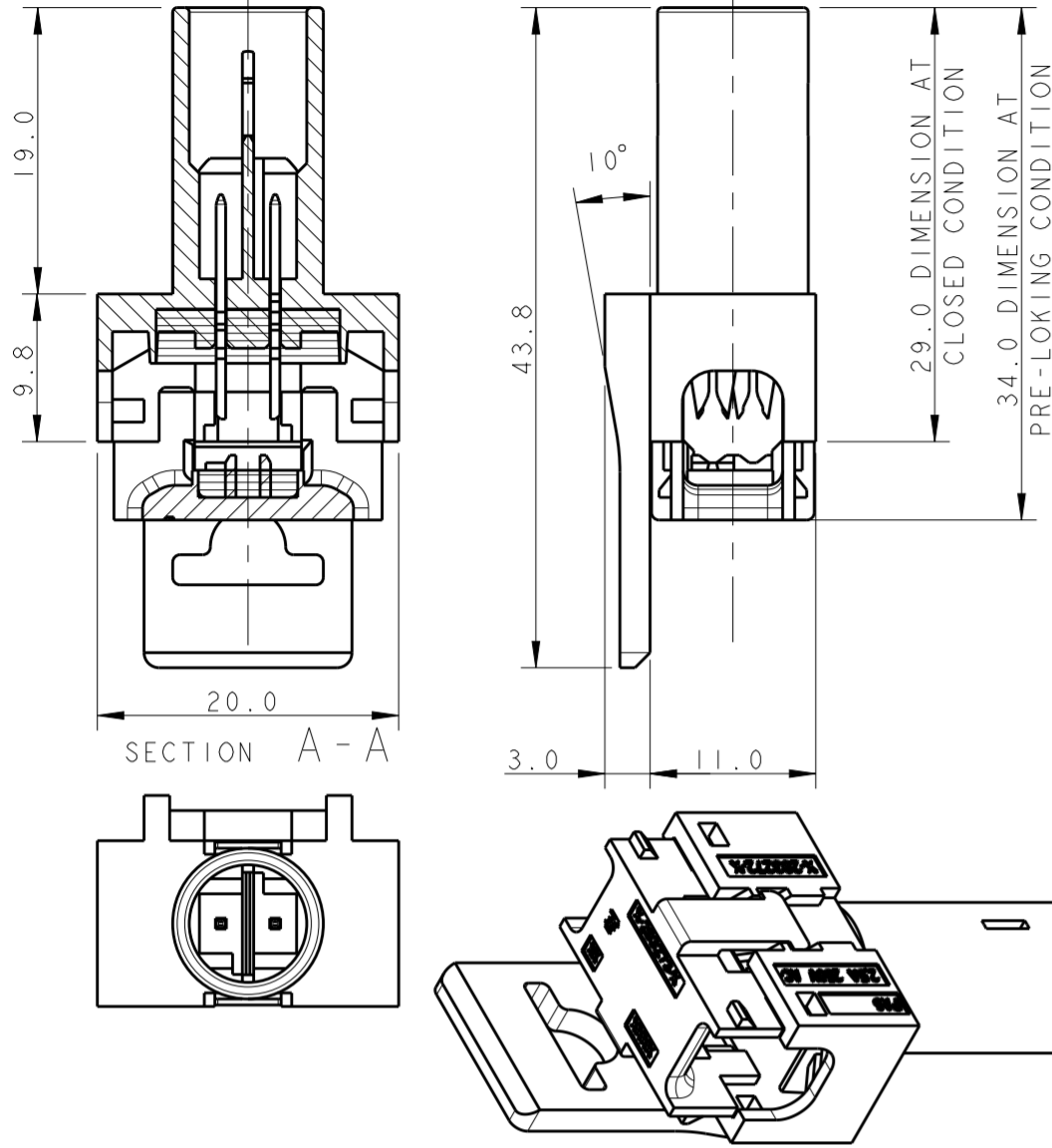
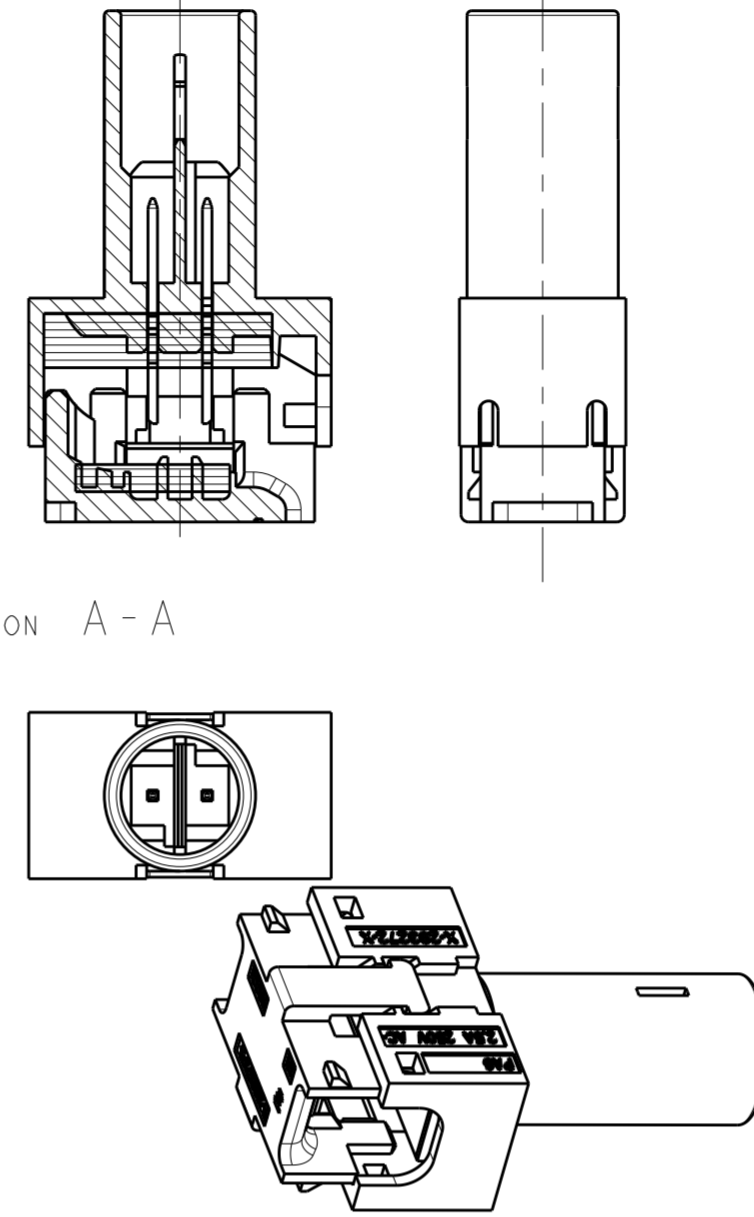
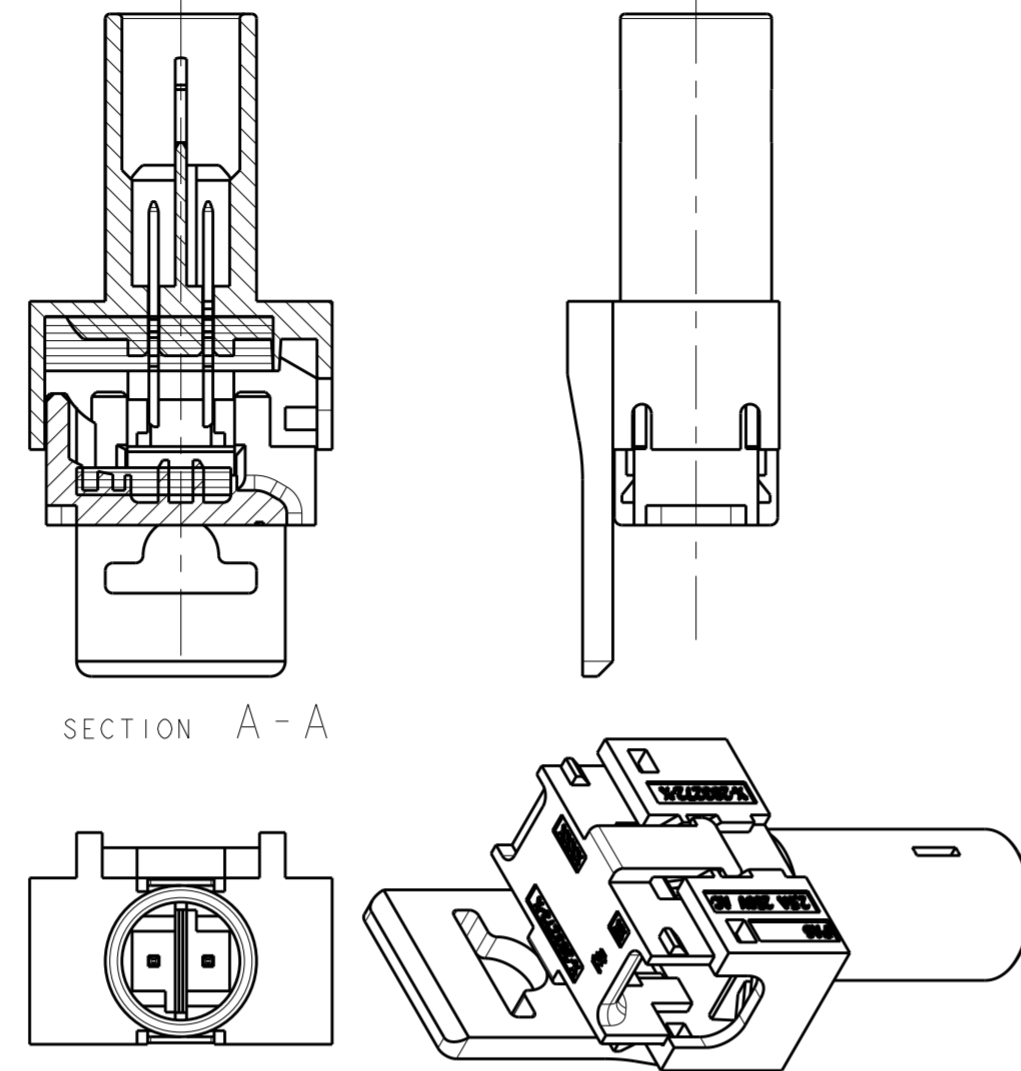


THIS DRAWING IS UNPUBLISHED. RELEASED FOR PUBLICATION 20
 © COPYRIGHT 20 BY - ALL RIGHTS RESERVED.

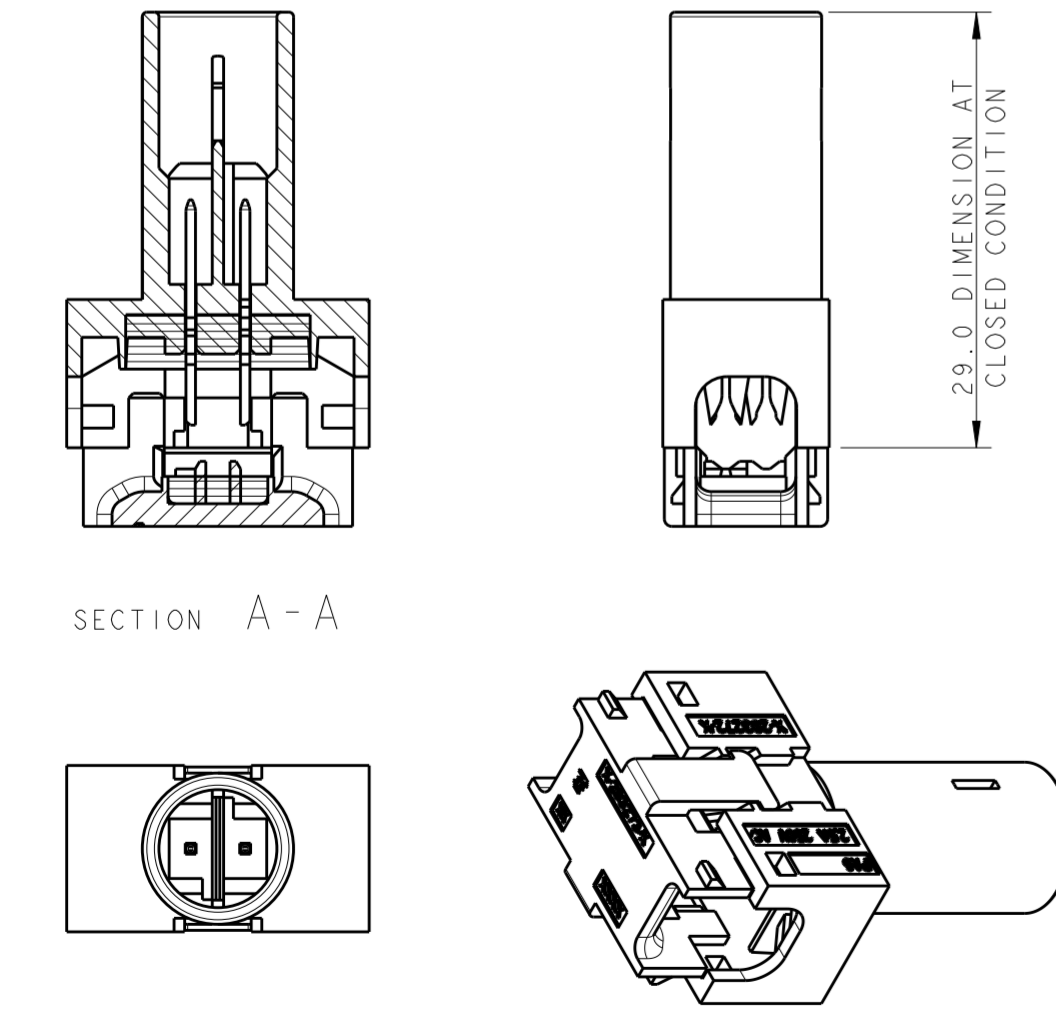
P/N 0-293270-1 AS SHOWN
 POLARIZATION KEY HV-1



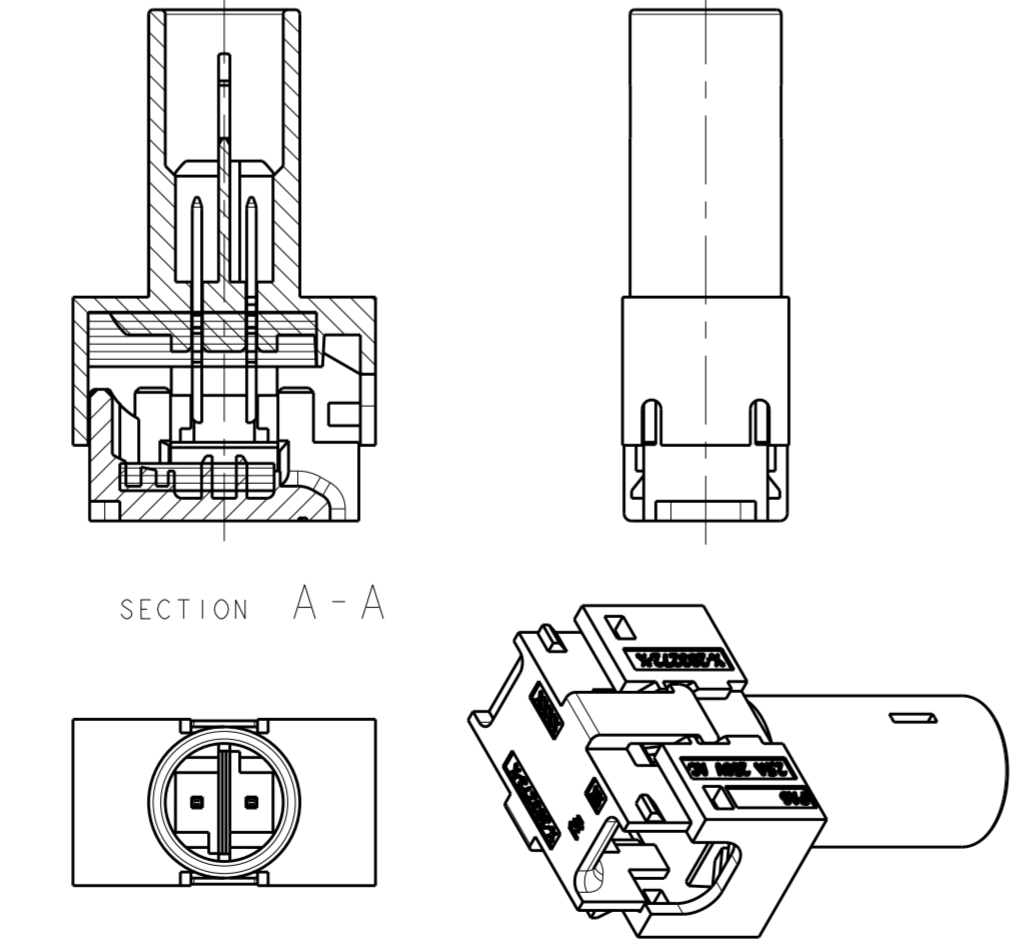
P/N 0-293270-2 AS SHOWN
 POLARIZATION KEY HV-1



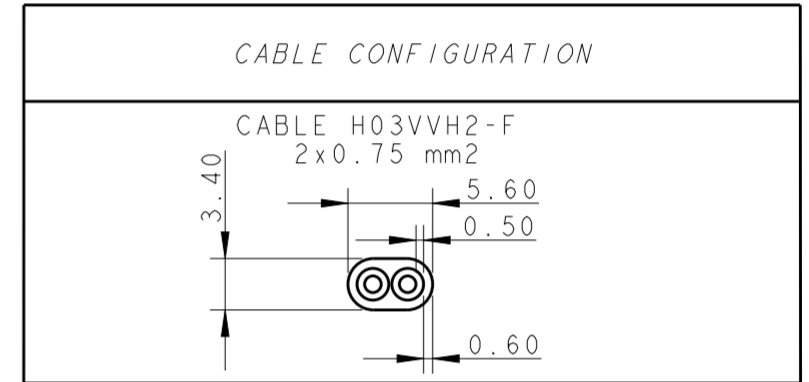
P/N 0-293270-3 AS SHOWN
 POLARIZATION KEY HV-1



P/N 0-293270-4 AS SHOWN
 POLARIZATION KEY HV-1



REVISIONS				
P	LTR	DESCRIPTION	DATE	APVD
S		REMOVED CABLE H05VVH2-F	22AUG2012	MZ JC
T		REVISED PER ECR-14-006605	21MAY2014	RS DD
V		ECR-14-018570	15DEC2014	KR JC
Y		REVISED PER ECR-17-008252	19JUN2017	RK JL



NOTES:
 CONTACTS BRASS PRE TINNED
 HOUSINGS POLYAMMIDE UL94 V0

PART NUMBER	DESCRIPTION	POL. KEY	COLOR
293270-9	END CONNECTOR WITHOUT FLANGE	HV-1	BLACK
293270-8	END CONNECTOR WITHOUT FLANGE	LV-2	YELLOW
293270-7	CONNECTOR WITHOUT FLANGE	LV-2	YELLOW
293270-6	END CONNECTOR WITH FLANGE	LV-2	YELLOW
293270-5	CONNECTOR WITH FLANGE	LV-2	YELLOW
293270-4	END CONNECTOR WITHOUT FLANGE	HV-1	WHITE
293270-3	CONNECTOR WITHOUT FLANGE	HV-1	WHITE
293270-2	END CONNECTOR WITH FLANGE	HV-1	WHITE
293270-1	CONNECTOR WITH FLANGE	HV-1	WHITE

MISSING DIMENSION SEE P/N 0-...-1

THIS DRAWING IS A CONTROLLED DOCUMENT.

DIMENSIONS:	TOLERANCES UNLESS OTHERWISE SPECIFIED:	DWN	18JAN2007
mm	0 PLC ±	CHK	A. Vecchia
	1 PLC ±0.3	APVD	G. Turco
	2 PLC ±0.05	APVD	G. Turco
	3 PLC ±	APVD	G. Turco
	4 PLC ±	PRODUCT SPEC	108-94018
	ANGLES ±	APPLICATION SPEC	114-20131
	FINISH ±	WEIGHT	-
MATERIAL		CUSTOMER DRAWING	

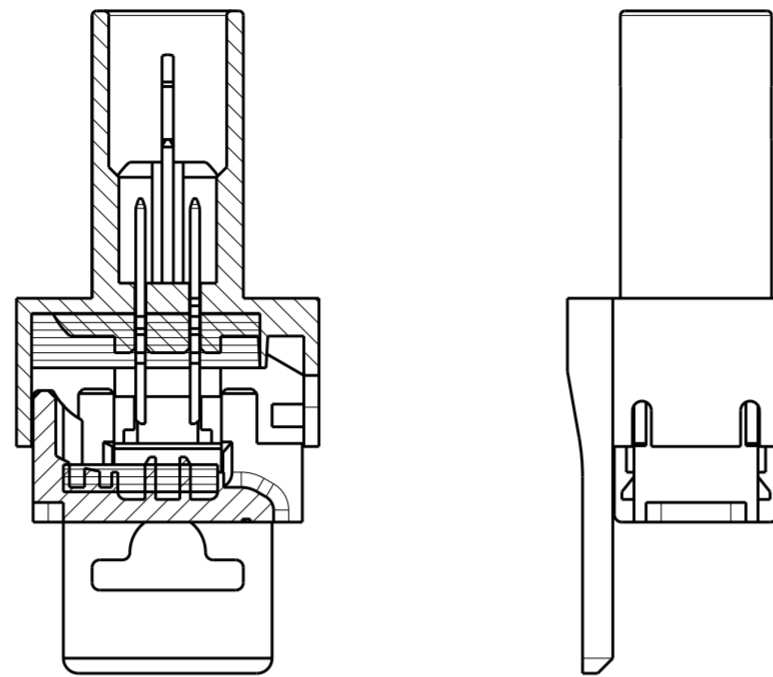
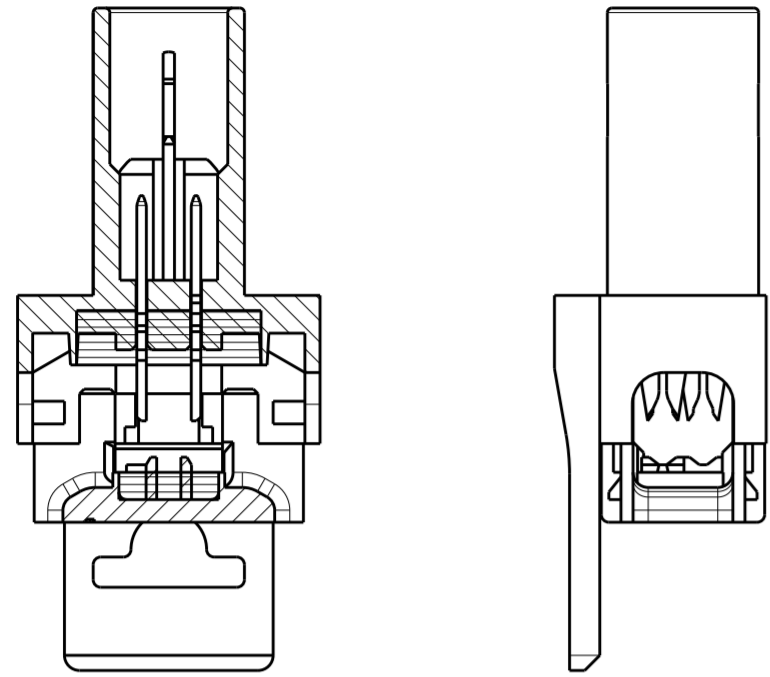
STE TE Connectivity
 NAME: BUS BAR 2 POSITION SEALED
 SIZE: A2 CAGE CODE: 0779 DRAWING NO: C-293270
 SCALE: 2:1 SHEET 1 OF 2 REV Y

THIS DRAWING IS UNPUBLISHED. RELEASED FOR PUBLICATION 20
 © COPYRIGHT 20 BY - ALL RIGHTS RESERVED.

REVISIONS				
P	LTR	DESCRIPTION	DATE	APVD
-	-	SEE SHEET 1	-	-

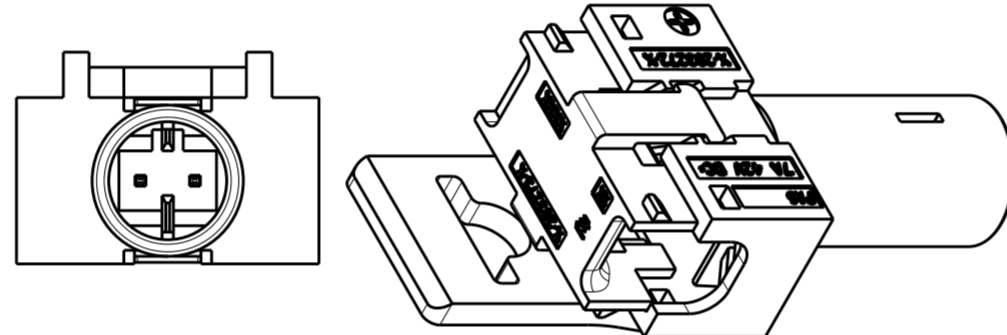
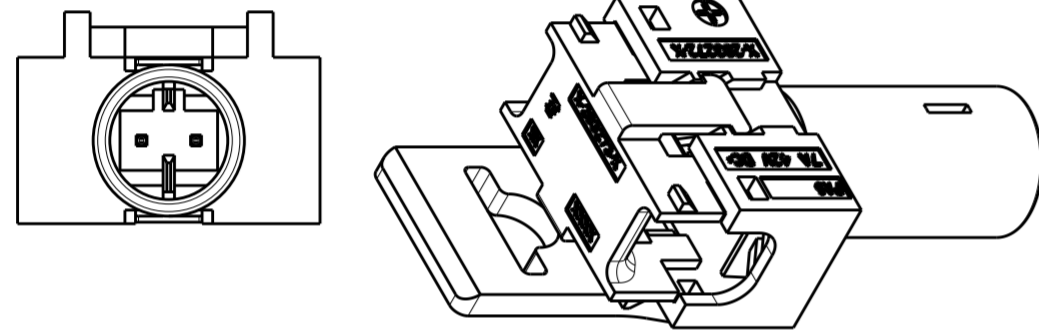
P/N 0-293270-5 AS SHOWN
 POLARIZATION KEY LV-2

P/N 0-293270-6 AS SHOWN
 POLARIZATION KEY LV-2



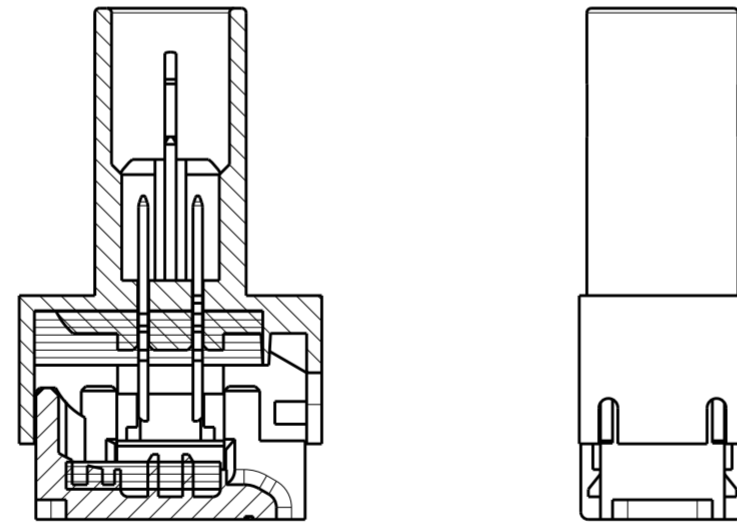
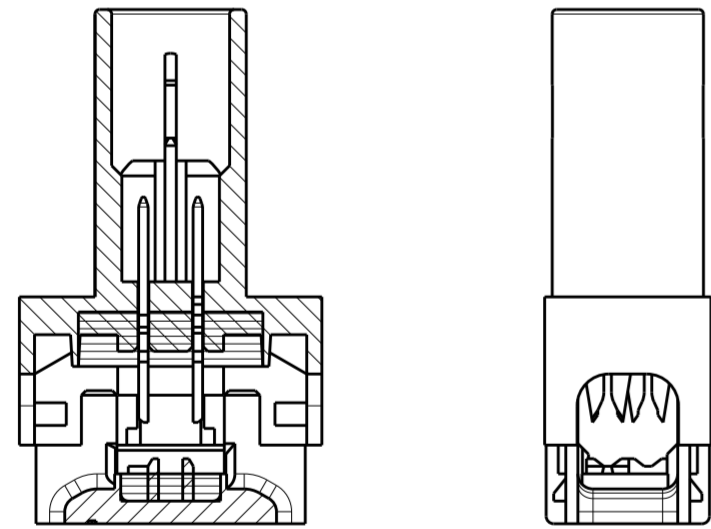
SECTION A - A

SECTION A - A



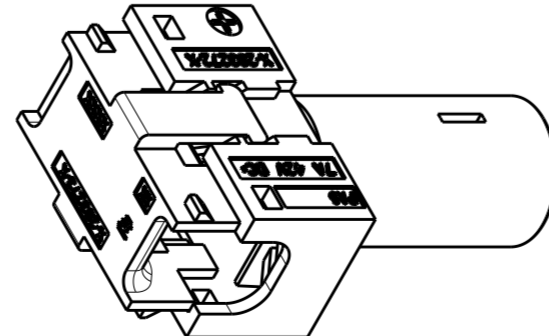
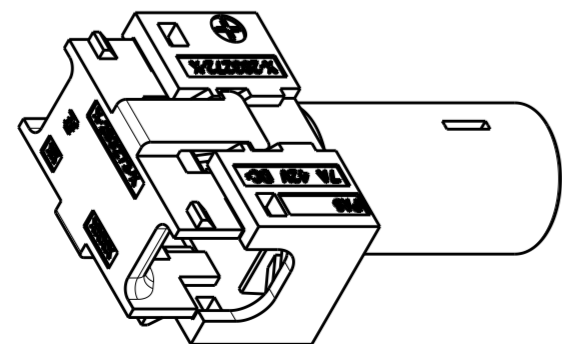
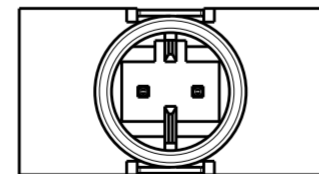
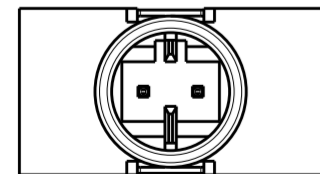
P/N 0-293270-7 AS SHOWN
 POLARIZATION KEY LV-2


P/N 0-293270-8 AS SHOWN
 POLARIZATION KEY LV-2



SECTION A - A

SECTION A - A



THIS DRAWING IS A CONTROLLED DOCUMENT.		DWN 18JAN2007 A. Vecchia	 TE Connectivity	
DIMENSIONS: mm		CHK 18JAN2007 G. Turco		
TOLERANCES UNLESS OTHERWISE SPECIFIED:		APVD 24MAY2007 G. Turco	PRODUCT SPEC	BUS BAR 2 POSITION SEALED
0 PLC ±		1 PLC ±0.3	APPLICATION SPEC	108-94018
2 PLC ±0.05		3 PLC ±	114-20131	RESTRICTED TO
4 PLC ±		ANGLES ±	WEIGHT	A20779C-293270
FINISH		CUSTOMER DRAWING	SCALE 5:1	SHEET 2 OF 2

Mouser Electronics

Authorized Distributor

Click to View Pricing, Inventory, Delivery & Lifecycle Information:

[TE Connectivity:](#)

[293270-1](#)