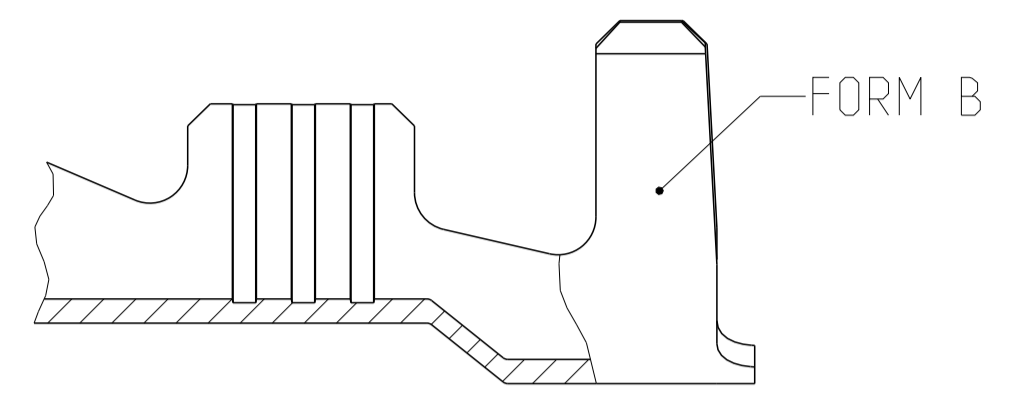
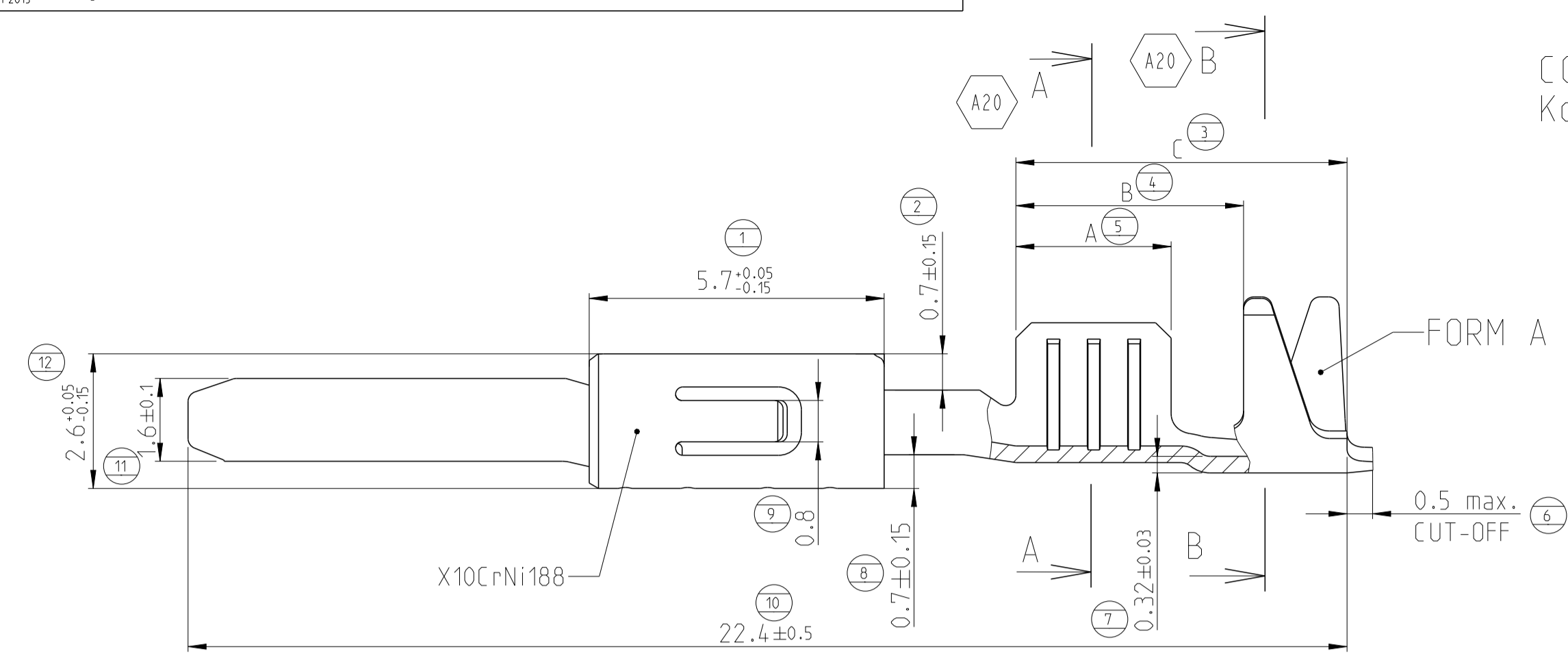
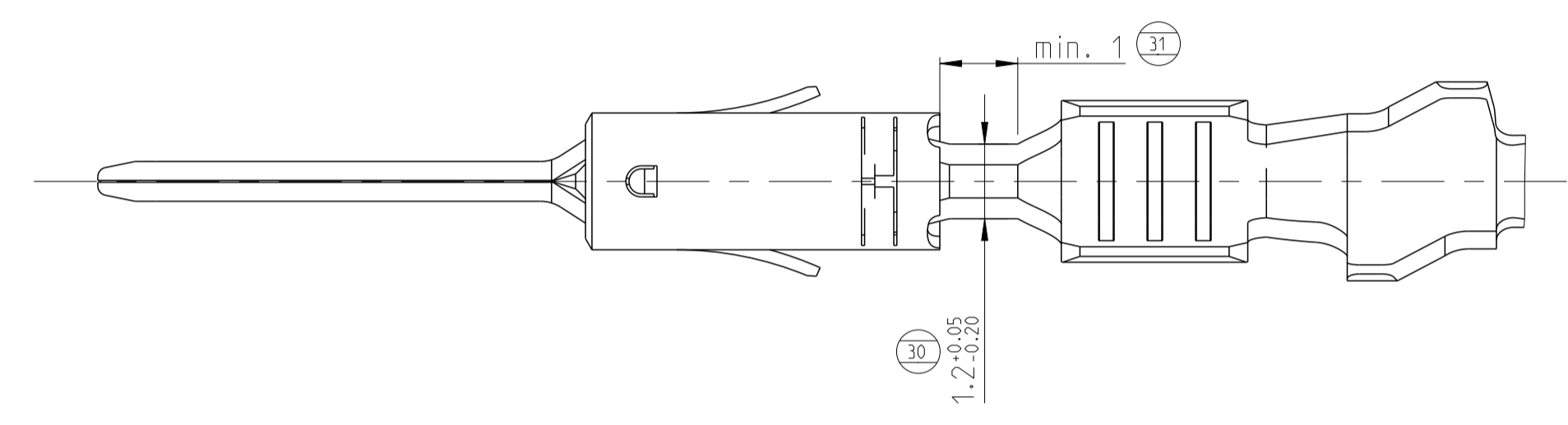
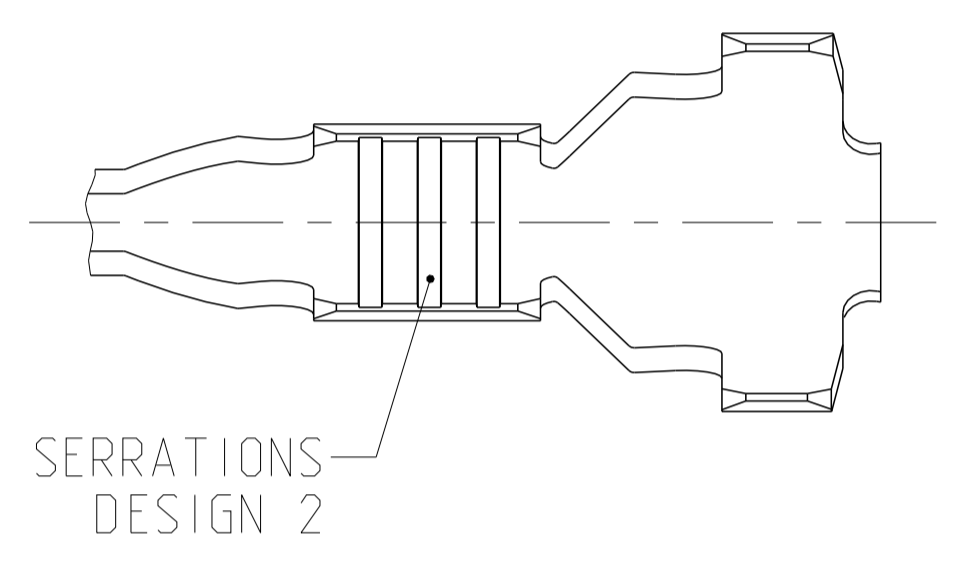
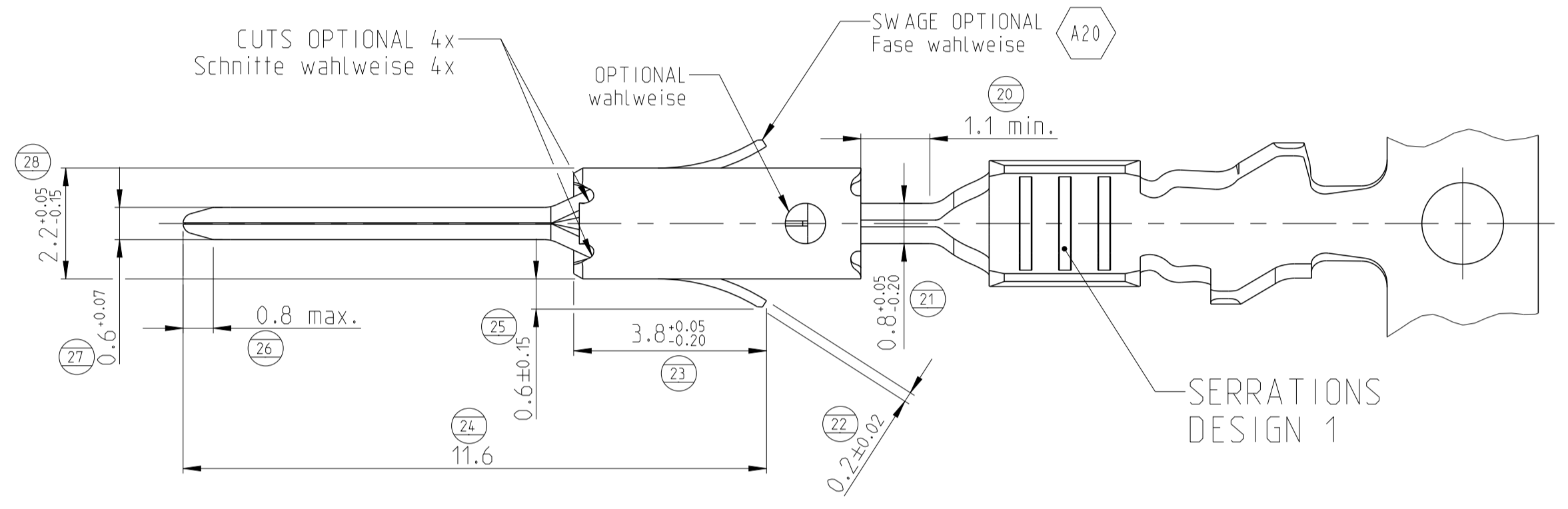
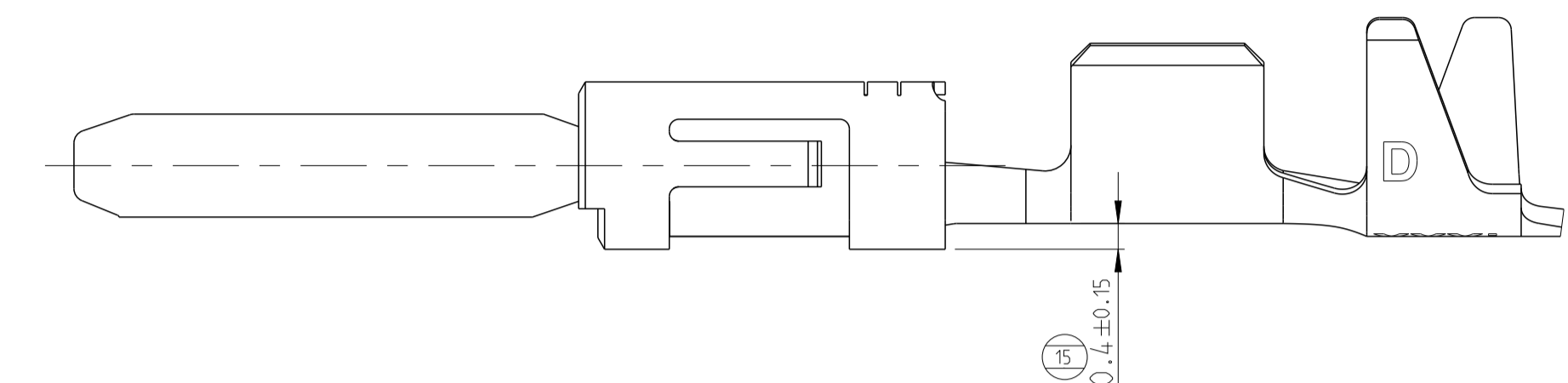


REVISIONS				
P.	LTN	DESCRIPTION	DATE	APVD
A17	ECR-15-016897		09MAR2016	MB JK
A18	ECR-16-006173		04MAY2016	MB JK
A19	ECR-16-009404		22SEP2016	MB JK
A20	ECR-17-005648		21OCT2017	MB PSI

CONTACTS FOR FLR-CABLE  
 Kontakte fuer FLR-Leitung

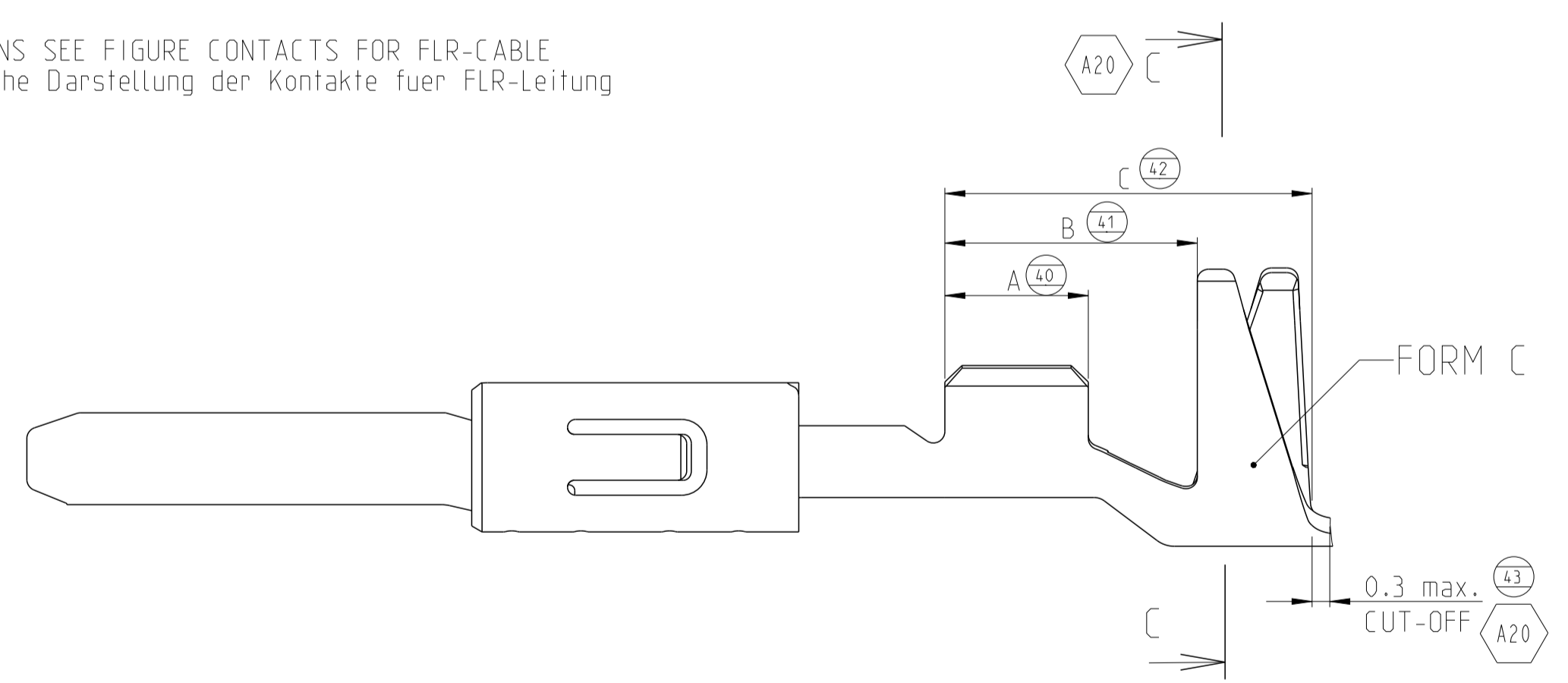


DESIGN 963898 / 963900 / 963904  
 Ausfuehrung 963898 / 963900 / 963904

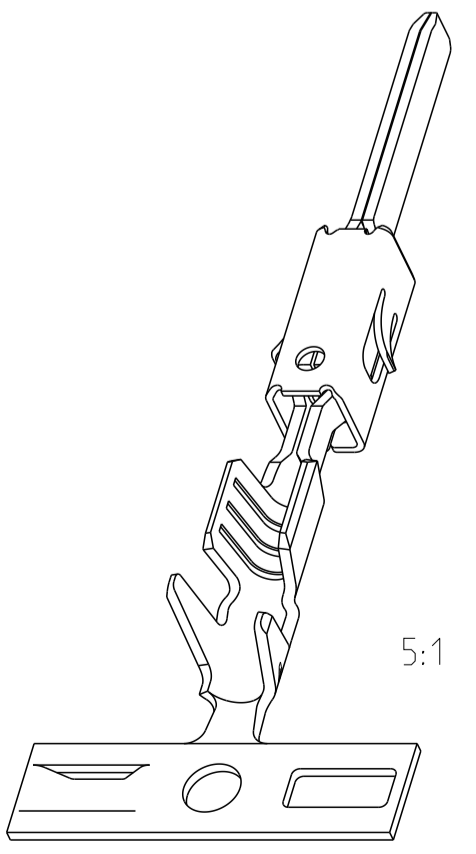
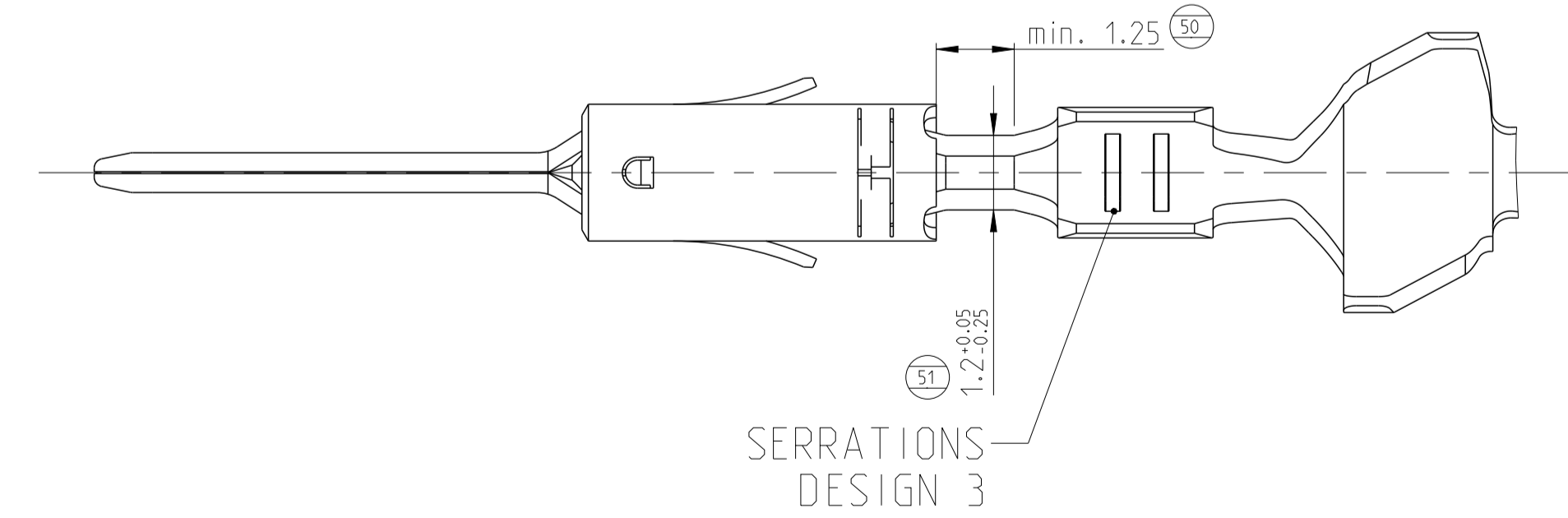
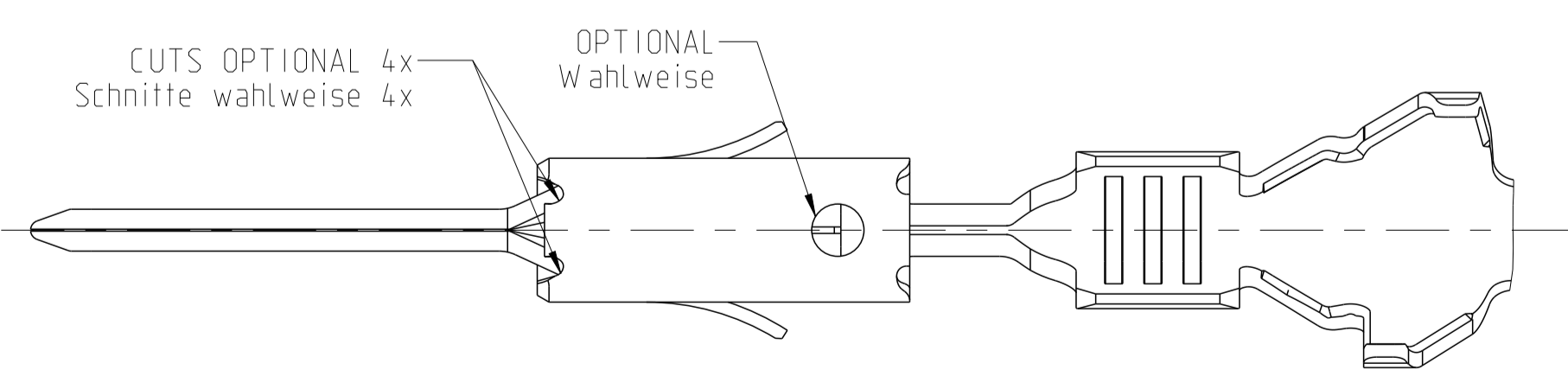
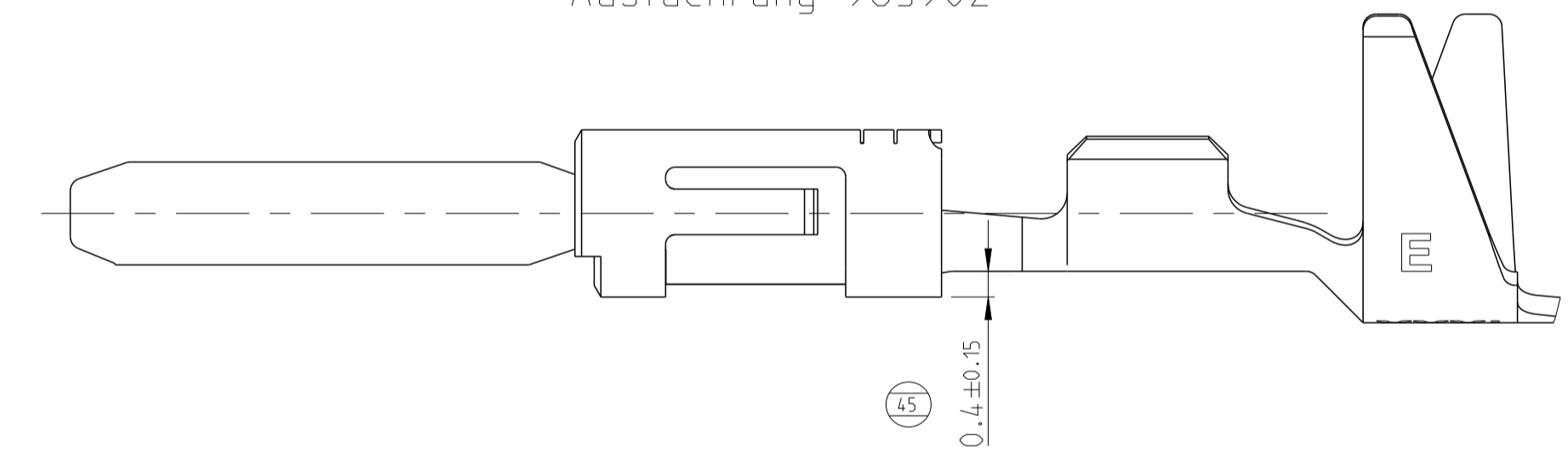


CONTACTS FOR SINGLE WIRE SEALING SYSTEM:  
 FLR- AND FLK-CABLE  
 Kontakte fuer Einzeldichtung-System:  
 FLR- und FLK-Leitung

DIMENSIONS SEE FIGURE CONTACTS FOR FLR-CABLE  
 Masse siehe Darstellung der Kontakte fuer FLR-Leitung

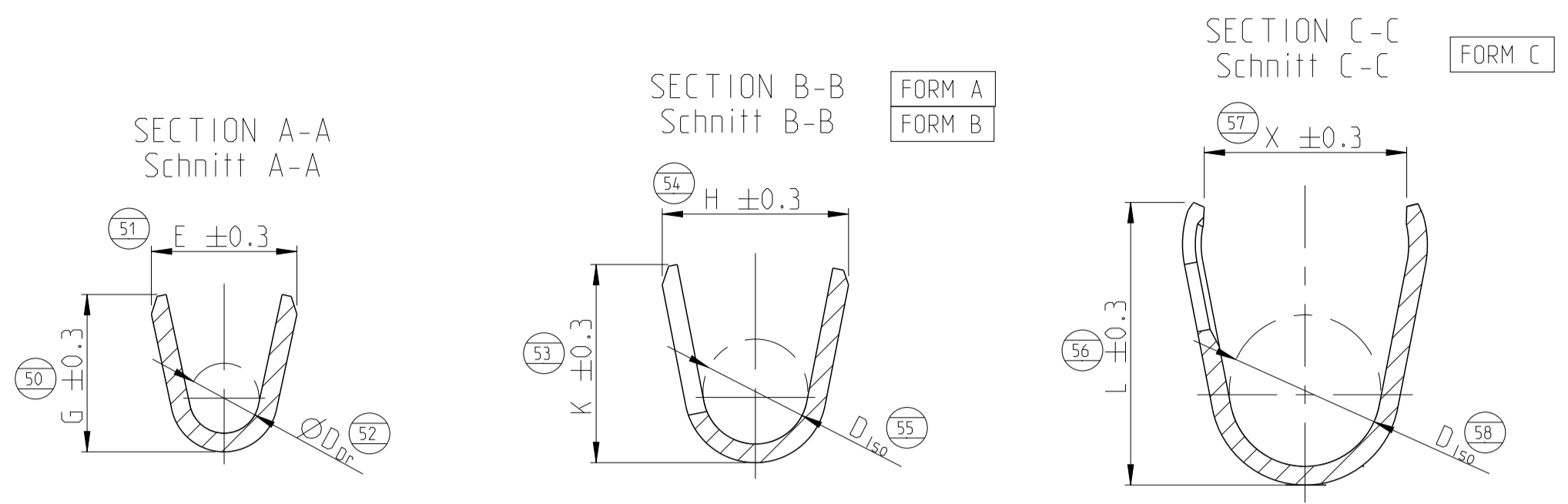


DESIGN 963902  
 Ausfuehrung 963902



THIS DRAWING IS A CONTROLLED DOCUMENT.		OWN: T. Bensch 11JUN1997	TE Connectivity
DIMENSIONS: mm		CHK: U. Muenk 11JUN1997	
TOLERANCES UNLESS OTHERWISE SPECIFIED: ±0.2		APVD: M. Bleicher 02MAR2011	NAME: PRODUCT GROUP DRAWING
MATERIAL: SEE TABLE sheet 2		FINISH: SEE TABLE sheet 2	TAB 1.6 x 0.6
WEIGHT: -		SIZE: 116-18082	Flachstecker 1.6 x 0.6
CUSTOMER DRAWING		SCALE: 10:1	SHEET 1 OF 2

REVISIONS				
P.	LTN	DESCRIPTION	DATE	APPV
-	-	SEE SHEET 1	-	-



SINGLE WIRE SEAL / Einzelichtungssystem	TE ORDER-NO.	REV	DESIGN SERRATIONS	MATERIAL	SURFACE	DGB	INSULATION	SEE / siehe SECTION A-A Schnitt A-A	SEE / siehe SECTION B-B / C-C Schnitt B-B / C-C	HAND TOOL	INSERT	DIMENSION mm				TE ORDER-NO.	CRIMP DATA AND CRIMP TOOL	
												A	B	C	X			
UNSEALED / ungedichtet	1703278-5	A	1	CuSn4	5	1.5	1.95 - 2.4	E = 2.8 G = 3.0 D <sub>Dr</sub> = 1.4	C L = 4.9 D <sub>ISO</sub> = 2.9	169400-0 539635-1	539960-1	-	3.0	4.4	6.4	3.6	SEE APPLICATION SPECIFICATION 114-18082 siehe Verarbeitungsspezifikation 114-18082	
	1703278-2	A	1	CuFe2	4	0.5 - 1.0	1.4 - 2.1	E = 2.5 G = 2.7 D <sub>Dr</sub> = 1.2	C L = 4.8 D <sub>ISO</sub> = 2.7			539612-1 539663-2	3.0	4.4	6.4	3.3		
	2-964269-2	A	1	CuFe2	5													
	964269-5	A	1	CuSn4	5													
	964269-3	E	1	CuSn4	1	0.5 - 1.0	1.4 - 2.1	E = 2.6 G = 2.8 D <sub>Dr</sub> = 1.2	A H = 4.5 K = 4.8 D <sub>ISO</sub> = 2.7			539651-2	3.0	4.6	7.0	-		
	964269-2	D	1	CuFe2	4													
	963904-3	G	1	CuSn4	1													
	963904-2	F	1	CuFe2	4	0.35	1.15 - 1.6	E = 2.4 G = 2.3 D <sub>Dr</sub> = 1.0	C L = 4.8 D <sub>ISO</sub> = 2.6			539663-2	2.5	4.4	6.4	3.3		
	963904-1	F	1	CuSn4	4													
	2141884-5	A	2	CuSn4	5													
	2141884-3	B	2	CuSn4	1	0.2 - 0.5	1.15 - 1.6	E = 2.1 G = 2.1 D <sub>Dr</sub> = 0.8	C X = 4.3 L = 4.8 D <sub>ISO</sub> = 2.6			539612-1 539663-2	2.5	4.4	6.4	3.3		
	2-2141884-2	A	2	CuFe2	5													
	2141884-2	A	2	CuFe2	4													
	969028-5	A	3	CuSn4	5	0.2 - 0.5	1.15 - 1.6	E = 2.1 G = 2.1 D <sub>Dr</sub> = 0.8	A H = 4.5 K = 4.8 D <sub>ISO</sub> = 2.7			539651-2	2.5	4.6	7.0	-		
	969028-3	E	3	CuSn4	1													
	969028-2	D	3	CuFe2	4													
	963902-3	E	3	CuSn4	1	0.2 - 0.5	1.15 - 1.6	E = 2.1 G = 2.1 D <sub>Dr</sub> = 0.8	A H = 3.5 K = 3.9 D <sub>ISO</sub> = 1.9			169400-0 539635-1	-	3.0	4.4	6.4		-
	963902-2	D	3	CuFe2	4													
963902-1	D	3	CuSn4	4														
1241846-5	A	1	CuSn4	5	0.5 - 1.0	1.4 - 2.1	E = 2.5 G = 2.8 D <sub>Dr</sub> = 1.2	B H = 3.7 K = 3.9 D <sub>ISO</sub> = 1.8	-	-	3.0	4.6	6.2	-				
1241846-3	B	1	CuSn4	1														
1241846-2	A	1	CuFe2	4														
1241846-1	A	1	CuSn4	4	0.5 - 1.0	1.4 - 2.1	E = 2.5 G = 2.7 D <sub>Dr</sub> = 1.2	A H = 3.2 K = 3.4 D <sub>ISO</sub> = 1.8	539612-1 539663-2	3.0	4.4	6.4	-					
969079-3	C	1	CuSn4	1														
969079-2	B	1	CuFe2	4														
964267-4	A	1	CuSn4	5	0.5 - 1.0	1.4 - 2.1	E = 2.6 G = 2.8 D <sub>Dr</sub> = 1.2	A H = 3.2 K = 3.4 D <sub>ISO</sub> = 1.8	539651-2	3.0	4.6	7.0	-					
964267-3	D	1	CuSn4	1														
964267-2	C	1	CuFe2	4														
964267-1	C	1	CuSn4	4	0.5 - 1.0	1.4 - 2.1	E = 2.1 G = 2.1 D <sub>Dr</sub> = 0.8	A H = 2.9 K = 2.9 D <sub>ISO</sub> = 1.4	539651-2	2.5	4.6	7.0	-					
963900-4	E	1	CuSn4	1														
963900-3	E	1	CuSn4	1														
963900-2	D	1	CuFe2	4	0.35	1.15 - 1.6	E = 2.4 G = 2.3 D <sub>Dr</sub> = 1.0	A H = 2.9 K = 2.9 D <sub>ISO</sub> = 1.4	539633-2	2.5	4.4	6.4	-					
963900-1	D	1	CuSn4	4														
963898-3	E	3	CuSn4	1														
963898-2	D	3	CuFe2	4	0.2 - 0.35	1.15 - 1.6	E = 2.1 G = 2.1 D <sub>Dr</sub> = 0.8	A H = 2.9 K = 2.9 D <sub>ISO</sub> = 1.4	539612-1 539663-2	2.5	4.4	6.4	-					
963898-1	D	3	CuSn4	4														
2141882-3	B	2	CuSn4	1														
2141882-2	A	2	CuFe2	4	0.2 - 0.35	1.15 - 1.6	E = 2.1 G = 2.1 D <sub>Dr</sub> = 0.8	A H = 2.9 K = 2.9 D <sub>ISO</sub> = 1.4	539612-1 539663-2	2.5	4.4	6.4	-					
964265-5	A	3	CuSn4	5														
964265-3	D	3	CuSn4	1														
964265-2	C	3	CuFe2	4														

- 1 CONTACT AREA SELECTIVE GOLD 0.8µm MIN. OVER NICKEL.  
WIRE CRIMP AREA ELECTRO TIN PLATED 1µm MIN. OVER NICKEL  
Kontaktzone selectiv vergoldet 0.8µm min. ueber Ni  
Drahtcrimpbereich gal. verzinkt 1µm min. ueber Ni
- 2 FOR DOUBLE- AND SINGLE TERMINATION  
fuer Doppel- und Einzelanschlage
- 3 SINGLE WIRE SEAL TO BE SELECTED ACCORDING TO INSULATION-DIA  
ACCORDING TO APPLICATION SPECIFICATION 114-18082  
Auswahl der Eubzeldichtung entsprechend dem Isolationsdurchmesser nach  
Verarbeitungsspezifikation 114-18082
- 4 TIN PLATED  
vorverzinkt
- 5 CONTACT AREA SELECTIVE SILVER 3µm MIN. OVER NICKEL.  
WIRE CRIMP AREA ELECTRO TIN PLATED 1.5µm MIN. OVER NICKEL  
Kontaktzone selectiv versilbert 3µm min. ueber Ni  
Drahtcrimpbereich gal. verzinkt 1.5µm min. ueber Ni
- 6 DIFFERENT TOOL DETAILS  
FUNCTION AND HANDLING WITH ALL DETAILS CONTINUOUSLY  
SUPPLY AFTER AVAILABILITY  
Verschiedene Werkzeugausfuehrungen  
Funktion und Handhabung bei allen Ausfuehrungen gleich  
Lieferung nach Verfuegbarkeit

TE ORDER-NO.	REV	DESIGN SERRATIONS	MATERIAL	SURFACE	DGB	INSULATION	STRIP FORM WIRE CRIMP Drahtcrimp	INSUL. CRIMP Isolationscrimp Bandware	HAND TOOL	INSERT	A	B	C	X	TE ORDER-NO.	CRIMP DATA AND CRIMP TOOL
		Ausfuehrung Serrations	Werkstoff	Oberflaeche	mm <sup>2</sup>	Isolations	CRIMP DIMENSION mm Crimpabmessungen mm		Handzange	Matrize	DIMENSION mm Abmessung mm				Ausdrueckwerkzeug	Crimpdata und Crimpwerkzeuge

THIS DRAWING IS A CONTROLLED DOCUMENT.

DIMENSIONS: mm	TOLERANCES UNLESS OTHERWISE SPECIFIED: ±0.2	OWN: T. Bertsch 11JUN1997	CHK: U. Muenk 11JUN1997	APV: M. Bleicher 02MAR2011	NAME: PRODUCT GROUP DRAWING TAB 1.6 x 0.6 TYPE A Flachsstecker 1.6 x 0.6 Typ A
MATERIAL: SEE TABLE sheet 2 siehe Tabelle	FINISH: SEE TABLE sheet 2 siehe Tabelle	WEIGHT: -	SIZE: A1	CAGE CODE: 00779	DRAWING NO: 114-18082
CUSTOMER DRAWING		SCALE: 10:1	SHEET: 2 OF 2	REV: A20	RESTRICTED TO: -

STE TE Connectivity

# Mouser Electronics

Authorized Distributor

Click to View Pricing, Inventory, Delivery & Lifecycle Information:

[TE Connectivity:](#)

[964269-2](#)