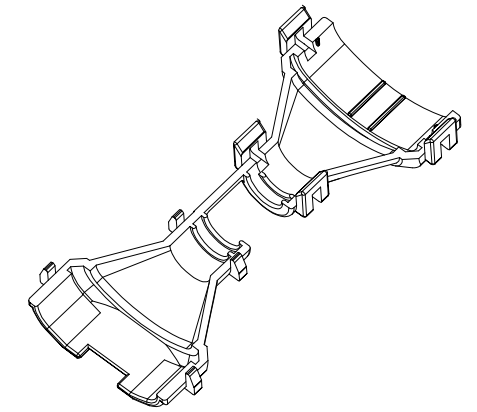
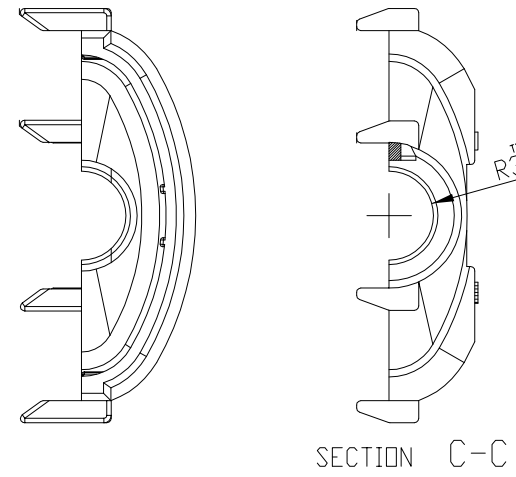
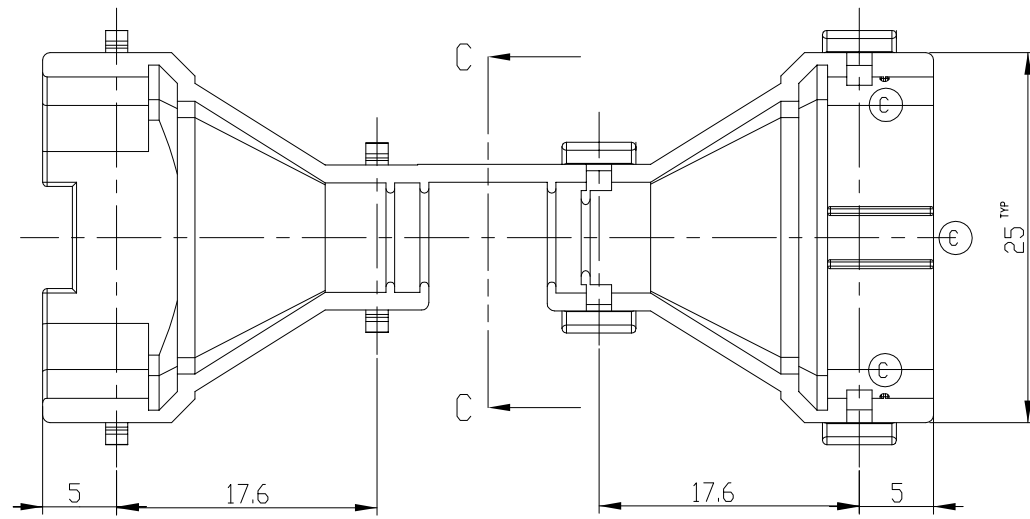
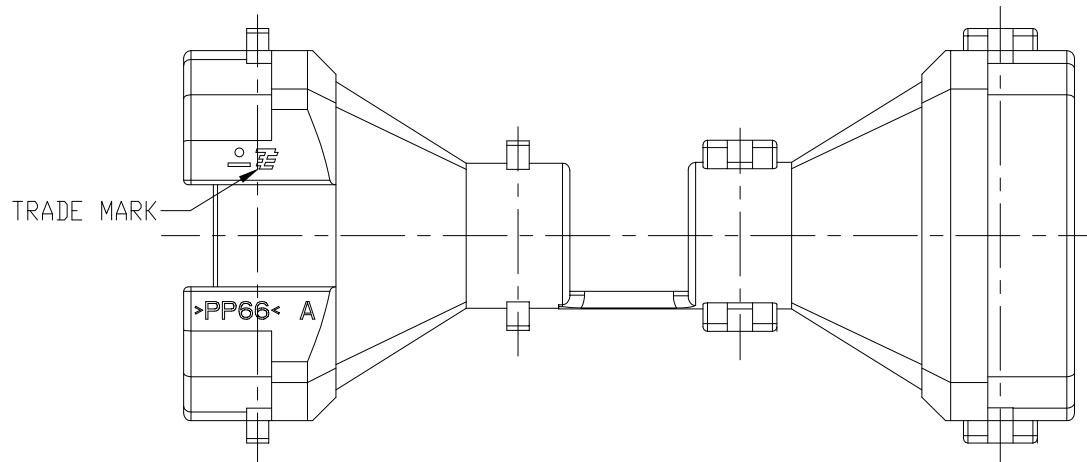
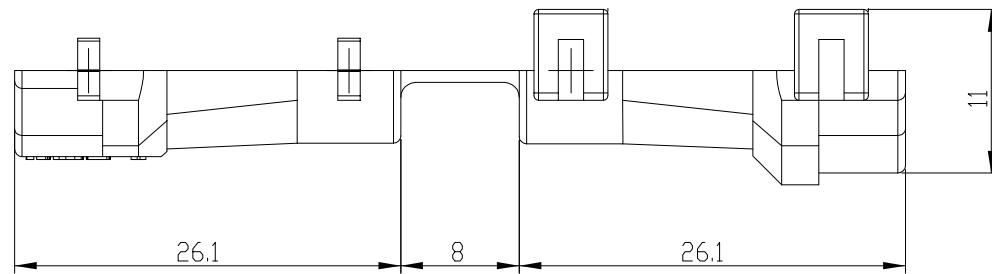


REVISIONS

P	LTR	DESCRIPTION	DATE	DWN	APVD
A		RELEASED	14.NOV.'06	SB	JK
B		REVISED<ECR-11-001412>	21.JAN.'11	JH	HG
C		REVISED<ECR-16-007810>	31.MAY.'16	JS	KT



3D VIEW



- NOTE
1. GENERAL TOLERANCE : $\pm 0.3 / \pm 3^\circ$
 2. APPLICABLE CONN'R P/N : 1897702
 3. APPLICATION TEST SPEC : MS210-06C (EXCEPT 4.4)

GRAY	NYLON 66	1743454-3
BLACK	NYLON 66	1743454-2
COLOR	MATERIAL	PART NUMBER

THIS DRAWING IS A CONTROLLED DOCUMENT.		DWN JS KIM	 TE Connectivity NAME WIRE COVER FOR JPT 2P PLUG				
DIMENSIONS: mm		CHK DG JEONG					
		APVD KT LIM					
TOLERANCES UNLESS OTHERWISE SPECIFIED		PRODUCT SPEC					
0 PLC \pm 1 PLC \pm 2 PLC \pm 3 PLC \pm 4 PLC \pm ANGLES \pm FINISH -		APPLICATION SPEC	SIZE A3	CAGE CODE 00779	DRAWING NO C-1743454	RESTRICTED TO -	
MATERIAL SEE TABLE		WEIGHT -	CUSTOMER DRAWING		SCALE 2:1	SHEET 1 OF 1	REV C

Mouser Electronics

Authorized Distributor

Click to View Pricing, Inventory, Delivery & Lifecycle Information:

[TE Connectivity:](#)

[1743454-2](#)