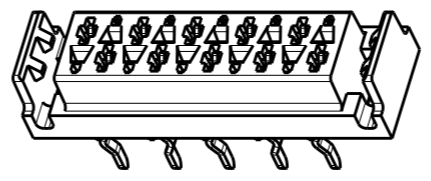
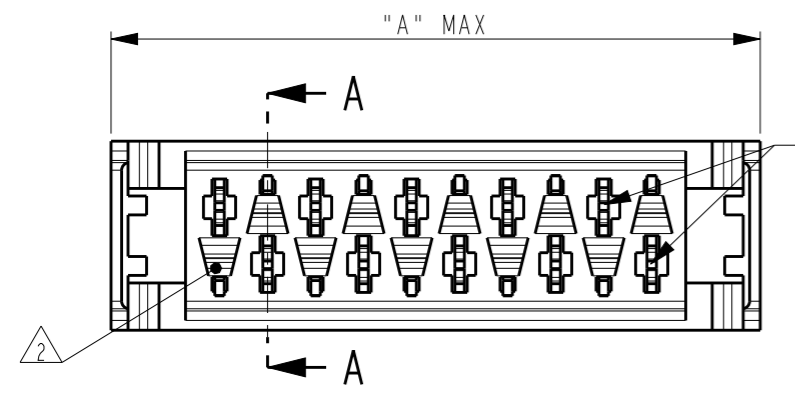


THIS DRAWING IS UNPUBLISHED. RELEASED FOR PUBLICATION. COPYRIGHT - BY - ALL RIGHTS RESERVED.

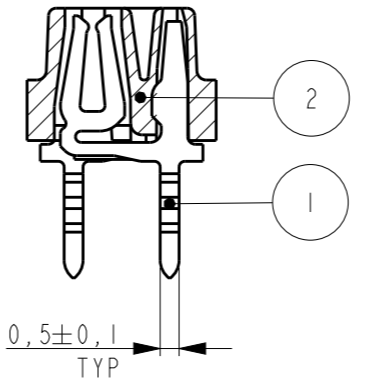
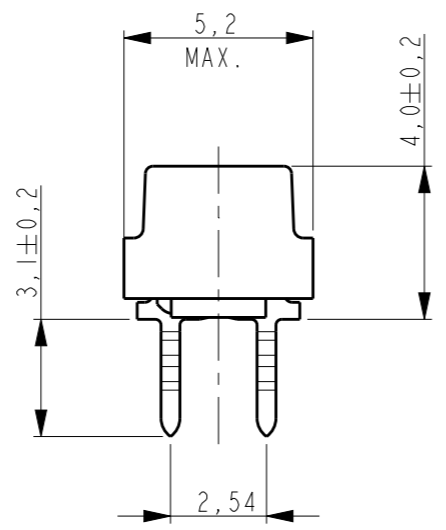
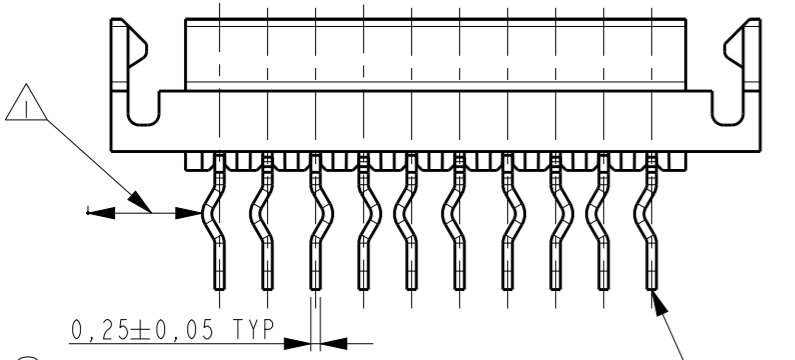
REVISIONS

P	LTR	DESCRIPTION	DATE	DWN	APVD
	F1	TAPE WIDTH DIMENSION REMOVED	25JAN2016	SS	PS

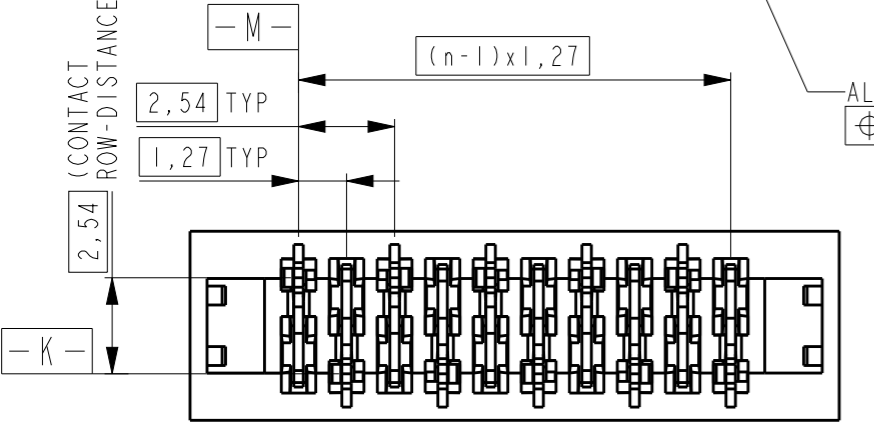


SCALE 3:1

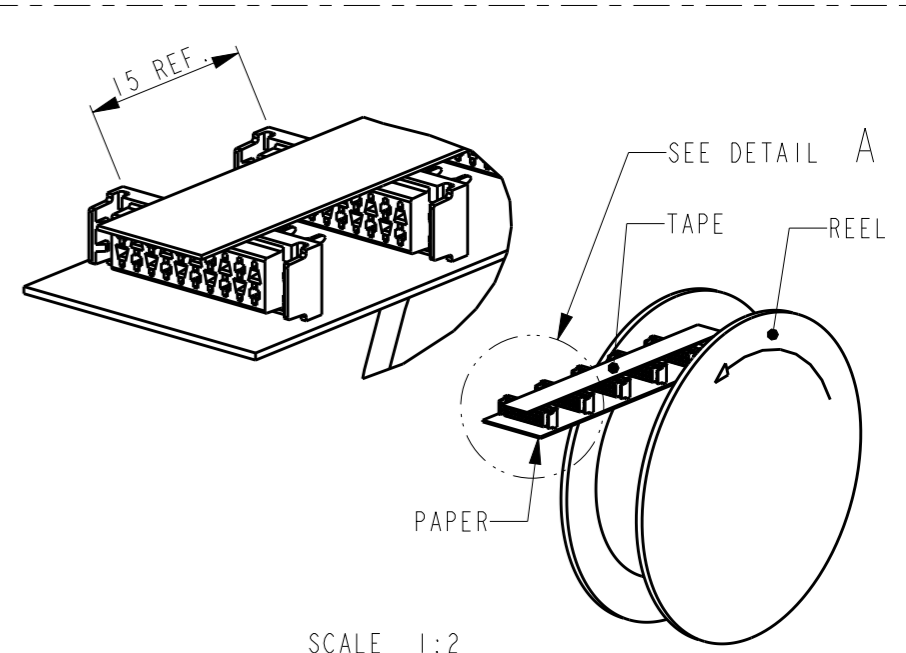
PART NUMBER REEL PACKAGING	NR OF POS "n"	DIMENSION "A" MAX
338068-4	4	9,7
338068-6	6	12,2
338068-8	8	14,7
1-338068-0	10	17,3
1-338068-2	12	19,8
1-338068-4	14	22,4
1-338068-6	16	24,9
1-338068-8	18	27,4
2-338068-0	20	30,0



SECTION A-A



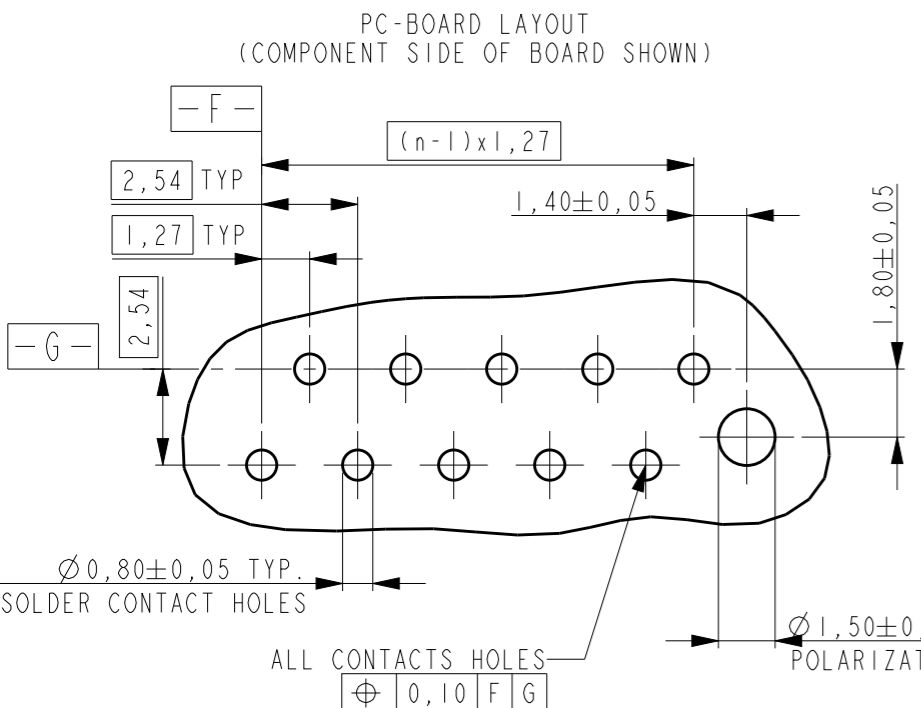
ALL CONTACTS Ø 0,40 K M



SCALE 1:2 REEL PACKAGING DEREELING DIRECTION AND CONNECTOR POSITION 2500 CONNECTORS PER REEL FOR ALL PART NUMBERS

NOTES:

- 1 IN EACH ROW, DIRECTION OF KINKS STARTS RANDOM. IN EACH ROW, SEQUENTIAL CONTACTS HAVE OPPOSITE KINK DIRECTIONS.
- 2 CORING-OUTS FOR MANUFACTURING PURPOSE ONLY. SHAPE MAY VARY, BUT IS NOT FUNCTIONAL FOR THE APPLICATION.
- 3 SHOWN IS A 10 POSITION CONNECTOR.



ALL CONTACTS HOLES Ø 0,10 F G

Ø 1,50±0,05 POLARIZATION HOLE

ITEM NO.	DESCRIPTION	MATERIAL	FINISH / COLOR
2	FEMALE HOUSING	G.F.POLYESTER PBT	RED
1	FEMALE CONTACT	PHOSPHOR BRONZE	TIN OVER NICKEL

THIS DRAWING IS A CONTROLLED DOCUMENT.

DWN M. GOSSELINK  
CHK -  
APVD -  
PRODUCT SPEC 108-19052  
APPLICATION SPEC -  
WEIGHT -

**STE** TE Connectivity

NAME CONNECTOR, FEMALE-ON-BOARD TOP-ENTRY, THRU-HOLE, WITH LATCHES, Micro-Match

SIZE A3 CAGE CODE 00779 DRAWING NO C-338068 RESTRICTED TO -

Customer Drawing SCALE 5:1 SHEET 1 OF 1 REV F1

# Mouser Electronics

Authorized Distributor

Click to View Pricing, Inventory, Delivery & Lifecycle Information:

[TE Connectivity:](#)

[338068-6](#)